

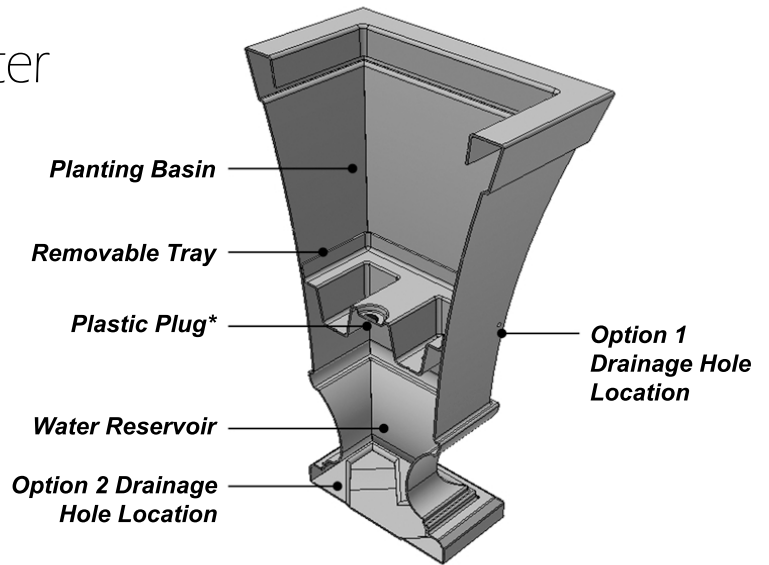
#MIS096

Model #5892

Vienna designer planter



Polyresin Planter
Indoor/Outdoor Use
UV Protected
Shock Resistant



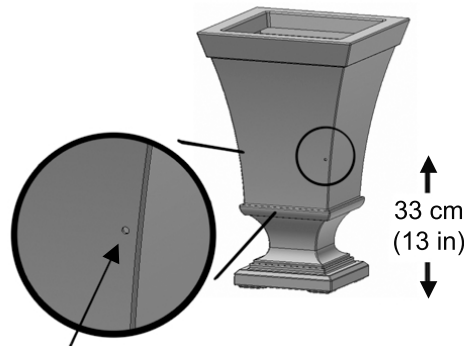
* The plastic plug is placed in the centre of the tray to seal a vent hole from the manufacturing process. There is no need to remove this plug.

GENERAL INFORMATION:

- Molded from durable, all-weather polyethylene
- Drill drainage holes when using planters outdoors
- For added stability fill inner cavity crushed stone
- Rinse clean with a garden hose; for a deeper clean, use a power washer

OPTION #1 WATER RESERVOIR FEATURE

Drill a 6.3 mm (1/4 in) diameter hole 33 cm (13 in) up from the bottom of the planter. A divot marks the location as shown below. The overflow helps maintain ideal water levels and avoid oversaturation of the soil.



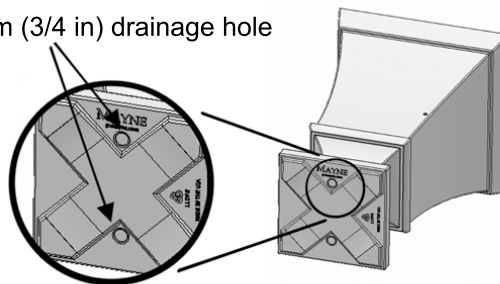
6.3 mm (1/4 in) drainage

“OR”

OPTION #2: CONTAINER PLANTER

To use the planter as a regular container planter, simply drill two holes in the bottom of the planter to allow for drainage. This option is also recommended when inserting potted plants.

1.9 cm (3/4 in) drainage hole



MAYNE
Outdoor Products of Distinction
www.gomayne.com

For customer service inquiries email customerservice@gomayne.com or call toll free at 866-363-8834 (available Monday through Friday, 8am-5pm EST).