

YOU DESIGN FOR THE FUTURE FOR YOUR CLIENTS TO LIVE IN THE NOW



The Sharp® SMD2489ES is the first, built-in Microwave Drawer™ Oven with Wi-Fi connectivity for seamless integration with your modern, smart home. Download the Sharp Kitchen app to enable the smart features.

*Mobile application for iOS and Android Devices.

The SKMD24U0ES pedestal accessory provides two-door storage and slides underneath your counter for hassle-free installation. This accessory also accepts custom contractor paneling so you can accommodate any kitchen design.

*Accessory sold separately.

DESIGNED FOR SIMPLY BETTER LIVING



The Sharp® Microwave Drawer™ Oven is built to match, and designed to stand out. Flexible placement options let you focus on the kitchen elements you prefer by maximizing sight-lines and enabling more design versatility than typical built-in, over-the-range or counter-top microwaves. The Microwave Drawer Oven can be placed below an island, peninsula, or standard cabinetry, and can also be installed adjacent to your wall oven. The Sharp Microwave Drawer Oven is now available in either Stainless Steel or the new, Black Stainless Steel.

*30 Inch Extension Kit sold separately.

SHARP ELECTRONICS CORPORATION • 100 Paragon Drive,
Montvale, NJ 07645 1.800.BE.SHARP • www.sharppusa.com

© 2020 Sharp Electronics Corporation. All rights reserved. Sharp, Microwave Drawer and all related trade-marks are trademarks or registered trademarks of Sharp Corporation and/or its affiliated companies. All other trademarks are property of their respective owners. Product specifications and design are subject to change without notice.

SHARP®

Simply Better Living



INTRODUCING
THE WORLD'S
FIRST **SMART**
MICROWAVE 
DRAWER™ OVEN

CONVENIENCE YOU CAN COUNT ON

The concealed, glass, Touch Control panel is easy-to-see and operate at a convenient 45° angle, keeping all of the controls at your fingertips when you need them, and completely out of sight when you don't. The modern, edge-to-edge, black glass and stainless steel design with bright, LED interior lighting and stylish floor pattern compliments your kitchen and pairs beautifully with other stainless steel appliances.



THE SHARP IoT MICROWAVE DRAWER OVEN WITH EASY WAVE OPEN



30" MICROWAVE DRAWER OVEN MEASUREMENTS

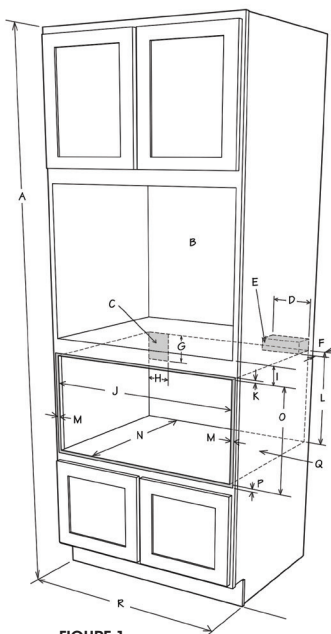


FIGURE 1.

Figure 1 Contains many microwave drawer oven measurements for reference when planning the drawer's location. This microwave drawer oven can be installed below any electric or gas wall oven.*

Cutout Dimension 28 7/16" x 15 9/16"

- | | |
|---|---|
| A. 84" wall cabinet | J. 22-1/8" minimum, |
| B. Optional wall oven | K. Allow 3/16" overlap |
| C. Suggested electrical outlet location* | L. 14-13/16" to bottom of Anti-Tip block |
| D. 6" | M. Allow 23/32" overlap |
| E. Anti-Tip block | N. 23-1/2" minimum depth |
| F. 3-1/2" | O. 15-9/16" opening |
| G. 5" | P. Allow 1/8" overlap |
| H. 4" | Q. Floor must support 100 lb |
| I. 2" minimum | R. 30" cabinet minimum |

IMPORTANT Always allow sufficient power cord length to the electrical outlet to prevent tension. Always check electrical codes for requirements.

BUILDER'S GUIDE, SPEC SHEET AND INSTALLATION MANUALS ARE AVAILABLE FOR DOWNLOAD AT WWW.SHARPU.SA.COM

*Can also be installed using an electrical outlet in an adjacent cabinet within the area where the provided electrical cord can reach. Power cord access hole in cabinet should be at least 1 1/2" diameter and deburred of all sharp edges.



SHARP 24" 1.2 CU. FT. 950W STAINLESS STEEL IoT EASY-WAVE OPEN MICROWAVE DRAWER OVEN



24 IN. 1.2 CU. FT. 950W SHARP STAINLESS STEEL MICROWAVE DRAWER OVEN
*ALSO AVAILABLE IN 30 IN.



24 IN. 1.2 CU. FT. 950W SHARP BLACK STAINLESS STEEL MICROWAVE DRAWER OVEN

CLEARANCES AND DIMENSIONS

- Dimensions that are shown in **Figures 2** and **3** (for 24") or **Figure 1** (for 30") must be used. Dimensions provide minimum clearance. Locate electrical outlet in the shaded area in the upper left-hand corner of the cutout.
- Contact surface must be solid and level. The floor of the opening should be plywood and strong enough to support the weight of the oven (min. 100 pounds).
- Check installation location for proper electrical supply.
- Your microwave drawer oven can be built into a cabinet or wall by itself or under a wall oven.
- Be sure that the clearance of the floor between the wall oven and the microwave drawer oven is a minimum of 2-inches.
- The microwave drawer oven will easily fit a 9" x 13" oblong dish or a bag of microwave popcorn.
- The microwave drawer oven can also be mounted flush. Please see instructions for flush mounting included with the Flush Mount Deflector vent.

24" MICROWAVE DRAWER OVEN MEASUREMENTS

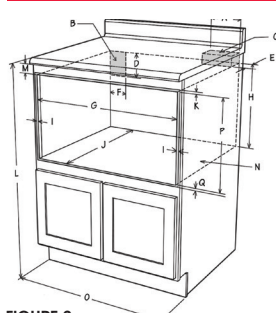


FIGURE 2.

- | | |
|---|-----------------------------------|
| A. 6" | I. 7/8" overlap |
| B. Suggested electrical outlet location* | J. 23-1/2" min. depth |
| C. Anti-Tip block | K. 3/16" overlap |
| D. 5" | L. 36" countertop height |
| E. 3-1/2" | M. Allow 7/16" min. space |
| F. 4" | N. Floor (100 lbs support) |
| G. 22-1/8" opening | O. 24" cabinet minimum |
| H. 14-13/16" to bottom of Anti-Tip block | P. 15-9/16" opening |
| | Q. Allow 1/8" overlap |

Cutout Dimension 28 7/16" x 15 9/16"

- | | | | |
|--------------------|-------------------|---------------------------|----------------------|
| A. 21-5/8" | D. 21-7/8" | G. 14-19/32" | I. 15" drawer |
| B. 4-11/16" | E. 23-7/8" | H. 1-9/64" opening | J. 4" |
| C. 1-3/4" | F. 15-7/8" | | |

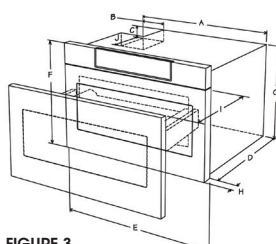


FIGURE 3.

Figures 2 and 3 Contain many microwave drawer oven measurements for reference when planning the drawer's location. This microwave drawer oven can be installed below any electric or gas wall oven.*

IMPORTANT Always allow sufficient power cord length to the electrical outlet to prevent tension. Always check electrical codes for requirements.