

## Dishwasher: SDW6506JS

# INSTALLATION MANUAL

### **BEFORE YOU BEGIN READ THESE INSTRUCTIONS COMPLETELY AND CAREFULLY.**

#### **IMPORTANT – Observe all governing codes and ordinances.**

- 1 Note to Installer – Be sure to leave these instructions for the consumer's and local inspector's use.
- 2 Note to Consumer – Keep these instructions with your Owner's Manual for future reference.
- 3 Skill Level – Installation of this dishwasher requires basic mechanical and electrical skills. Proper installation is the responsibility of the installer. Product failure due to improper installation is not covered under the SHARP Consumer Limited Warranty.
- 4 Completion Time – 1 to 3 Hours. New installations require more time than replacement installations.

**IMPORTANT:** Installation must allow for removal of the dishwasher in case of future service requirements.

If you received a damaged dishwasher, immediately contact your dealer or builder.

**FOR YOUR SAFETY:** Read and observe all cautions and warnings in this instruction manual. Always wear proper safety gear during installation process, including gloves and safety glasses or goggles.

### **⚠ WARNING**

#### **SUFFOCATION HAZARD**

Before disposing of the old dishwasher, remove the door or lid from the appliance. Failure to follow this instruction can result in death or brain damage if a child gets trapped inside the old appliance.

#### **ELECTRICAL SHOCK HAZARD**



To reduce the risk of electric shock, fire or injury to persons, the installer must ensure the installed dishwasher is completely enclosed and reduce the likelihood of damage to the power cord.

#### **STATE OF CALIFORNIA PROPOSITION 65 WARNINGS:**

**⚠ WARNING** To view State of California Proposition 65 warnings related to cancer and reproductive harm, see:

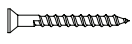

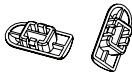

[WWW.P65WARNINGS.CA.GOV](http://WWW.P65WARNINGS.CA.GOV)

### **READ CAREFULLY. SAVE THESE INSTRUCTIONS.**



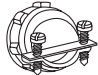


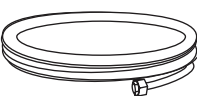
If you have an installation problem, contact your dealer or installer. You are responsible for providing adequate electrical, exhausting and other connecting facilities.

# MATERIALS AND TOOLS

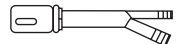
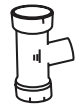
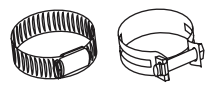

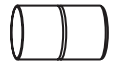
## PARTS SUPPLIED

NAME & DESCRIPTIONS	QTY.	PARTS
Flat-head Wood Screws ST4*30	4	
Screw Type Hose Clamps	1	
Adjustment cap	4	
Drain Hose connected to the dishwasher (80")	1	



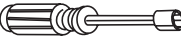
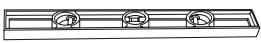

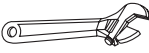
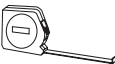
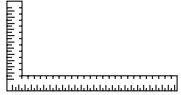



## MATERIALS REQUIRED

NAME & DESCRIPTIONS	PARTS
3/4" FHT x 3/8" OD compression 90° elbow (if not included in hose kit)	
Thread Seal Tape	
Strain Relief	
UL Listed Wire Nuts	
Electrical Cable or Power Cord, if applicable	
3/8" Braided Dishwasher Supply Hose or Copper Tubing Wire line (3/8" min.)	

## MATERIALS FOR NEW INSTALLATIONS ONLY

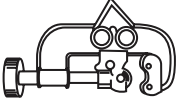
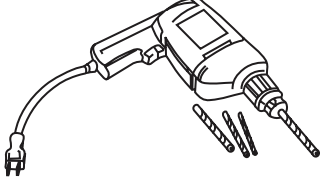
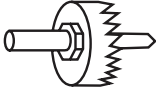
NAME & DESCRIPTIONS	PARTS
Air Gap for Drain Hose, if required	
Waste Tee for House Plumbing, if applicable	
Screw Type Hose Clamps	
Hand Shut-off Valve	
Coupler for Extending Drain Line, if applicable	

## TOOLS REQUIRED

NAME & DESCRIPTIONS	PARTS
Phillips-head Screwdriver	
Flat-bladed Screwdriver	
5/16" and 1/4" Nutdriver	
Level	
Flashlight	
6" Adjustable Wrench	
Measuring Tape	
Carpenters Square	
Safety Glasses	
Bucket	
Gloves	

# MATERIALS AND TOOLS

## FOR NEW INSTALLATIONS ONLY

NAME & DESCRIPTIONS	PARTS
Tubing Cutter	
Drill and Appropriate Bits	
Hole Saw Set	

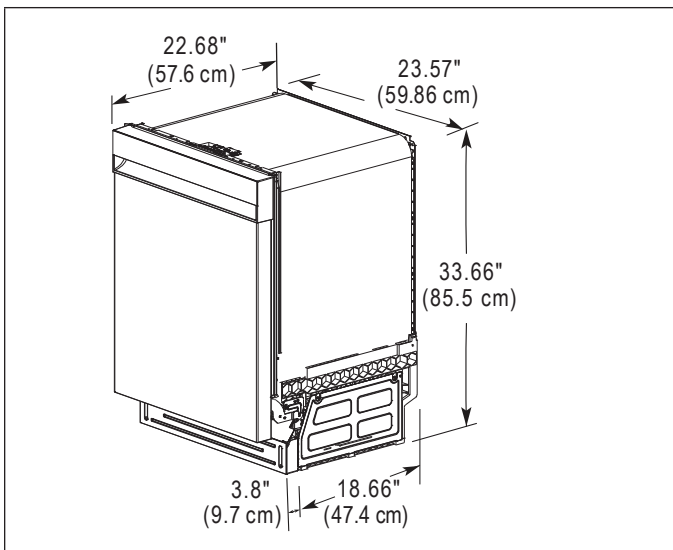
# LOCATION REQUIREMENTS

## IMPORTANT:

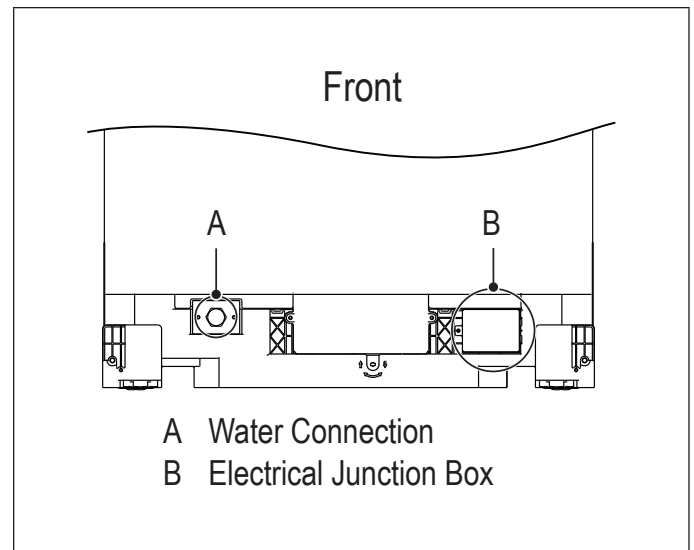
- Do not run drain lines, water lines or electrical wiring where they can interfere with or contact dishwasher motors or legs.
- The installation location must provide clearance between motors and flooring. Motors must not touch the floor.
- The installation opening must have a level floor. If the floor is not level (for example, if the floor at the front of the opening is higher than the floor at the rear), use shims to level the dishwasher.
- Do not install the dishwasher over carpeted flooring.
- The dishwasher must be fully enclosed on the top, sides and back. Do not allow any part of the enclosure to rest on or be supported by the dishwasher.
- The dishwasher must be installed so that the drain hose is no more than 10 ft in length for proper drainage.

# PRODUCT PROFILE

## PRODUCT DIMENSIONS



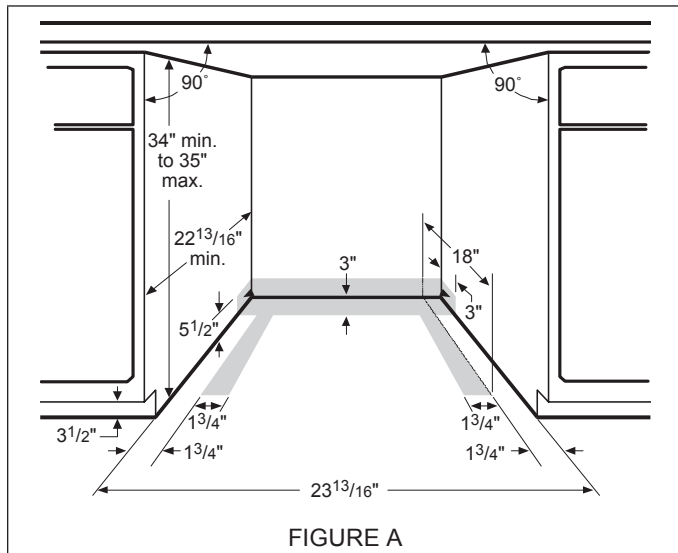
## KEY CONNECTION POINTS



# INSTALLATION PREPARATION

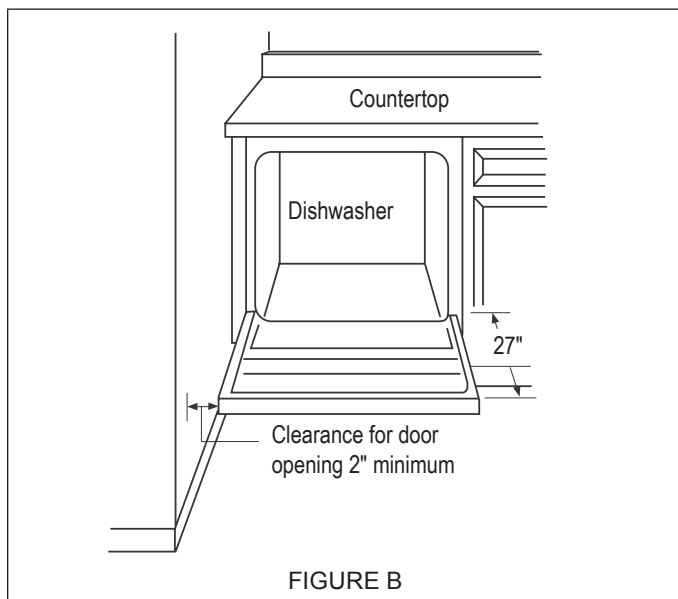
## CABINET DIMENSIONS

- The cabinet opening must be at least 24" deep.
- The cabinet opening must be between 34" and 35" in height.



## CLEARANCES

When installed in a corner, allow 2" minimum clearance between dishwasher and adjacent cabinets, walls or other appliances. Allow 27" minimum clearance from the front of the dishwasher for door opening. See Figure B.



## WATER SUPPLY REQUIREMENTS

- Water pressure from the hot water supply line must be between 20-120 psi (138-862 kPa).
- Water heater that is adjusted to a water temperature of 120°F to 150°F (49°C to 65.5°C).
- A copper tubing water line (minimum 3/8" in diameter) extending at least 24" from the rear wall must be routed to connect to the front-left side of the dishwasher.
- It is strongly recommended that a hand shut-off valve be installed in an accessible location, such as under the sink.

## DRAIN REQUIREMENTS

- Follow local codes and ordinances.
- The drain hose must not be longer than 10 feet in length.
- Do not connect drain lines from other devices to the dishwasher drain hose.
- The dishwasher must be connected to waste line with an air gap (not supplied) or 32" minimum high drain loop (depending on local codes and ordinances) to prevent back flow into the dishwasher.
- Air gap must be used if waste tee or disposer connection is less than 18" above the floor to prevent siphoning.

## DRAIN PREPARATION

The type of drain installation depends on answers to the following questions:

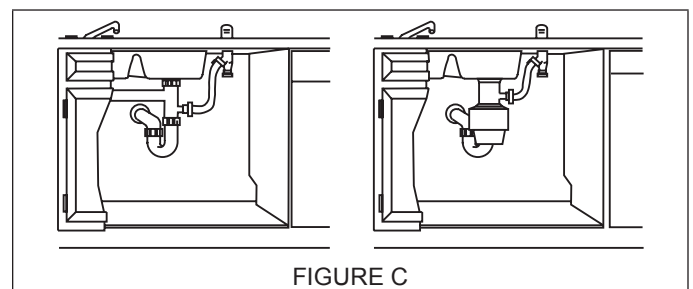
- Do local codes or ordinances require an air gap?
- Will waste tee or disposer connection be less than 18" above the floor?
- Will installation have a drain loop less than 32" above the floor?

If the answer to ANY of the 3 questions above is YES, Method 1 MUST be used. Otherwise, either Method 1 or Method 2 may be used.

**CAUTION** An air gap MUST BE USED if the drain hose is connected to waste tee or disposer lower than 18" above the floor.

Failure to provide the proper drain connection height with air gap or 32" minimum high drain loop will result in improper draining of the dishwasher. Figure C or Figure D.

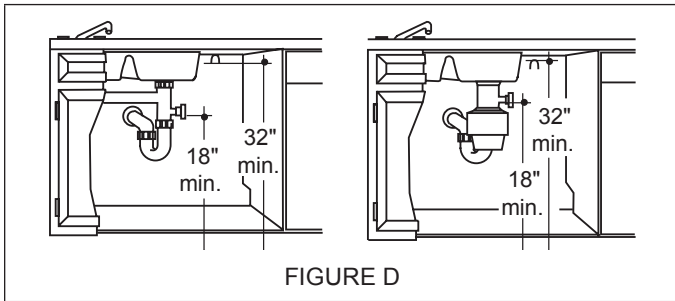
## METHOD 1 – AIR GAP WITH WASTE TEE OR DISPOSER



# INSTALLATION PREPARATION

## METHOD 2 – HIGH DRAIN WITH WASTE TEE OR DISPOSER

Provide a method to attach drain hose to underside of countertop.



Install waste tee or disposer and air gap according to manufacturer's instructions.

## ELECTRICAL REQUIREMENTS

### ⚠ WARNING

#### ELECTRICAL SHOCK HAZARD



- Installation and service must be performed by a qualified installer or service agency.
- Always disconnect the power before servicing this unit.
- This appliance must be properly grounded.
- Failure to do so could result in death, fire or electrical shock.



FOR PERSONAL SAFETY: Remove house fuse or open circuit breaker before beginning installation. Do not use an extension cord or adapter plug with this appliance.



To ensure electrical safety, installation of an Earth Leakage Circuit Breaker (ELCB) is recommended to prevent electrical shocks and other electrical hazards

## IMPORTANT

- The dishwasher must be supplied with 120 volt, 60 Hz. power supply and connected to a dedicated, properly grounded branch circuit, protected by a 15 or 20 ampere circuit breaker or time delay fuse.
- Maximum of two field wiring supply conductors (12 AWG maximum) plus one grounding conductor are permitted in the terminal box.

- Use only copper wire.
- Wiring must be 2-wire with ground.
- Use a UL Listed/CSA Approved metallic strain relief.
- Be sure that the electrical connection and wire size are adequate and in conformance with the National Electrical Code, ANSI/NFPA No. 70-latest edition and all local codes and ordinances.
- If the electrical supply does not meet the above requirements, call a licensed, qualified electrician before proceeding.

## GROUNDING INSTRUCTIONS

- The dishwasher must be connected to a grounded metal, permanent wiring system, or an equipment grounding conductor must be run with the circuit conductors and be connected to the equipment grounding terminal or lead on the dishwasher.

## POWER CORD CONNECTIONS

- Use a power cord with connections that comply with the National Electrical Code, Section 422 and/or local codes and ordinances.
- Recommended cord length is 54" minimum and 64" maximum.
- A power cord kit is available for purchase from an authorized parts dealer.

## DIRECT WIRE CONNECTIONS

Use flexible, armored or nonmetallic sheathed, copper wire with grounding wire that meets the wiring requirements for your local codes and ordinances.

## CABINET PREPARATION

- The wiring may enter the opening from either side, rear or the floor within the shaded area.
- Cut a 1 1/2" maximum diameter hole to allow the electrical cable. The hole must be free of sharp edges. If the cabinet wall is metal, the hole edge must be covered with a bushing.
- Cable direct connections may pass through the same hole as the drain hose and hot water line, if convenient. If cabinet wall is metal, the hole edge must be covered with a bushing.

NOTE: Power cords with plug must pass through a separate hole.

# INSTALLATION INSTRUCTIONS

## STEP 1: UNPACK DISHWASHER

**IMPORTANT:** If you received a damaged dishwasher, immediately contact Sharp Customer Service.

### ⚠WARNING

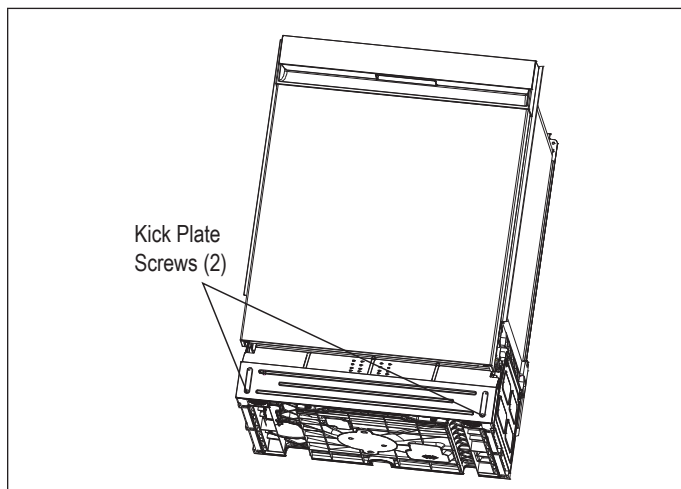
#### SUFFOCATION HAZARD

- To avoid danger of suffocation, keep plastic bag and other packing material away from babies and children. Do not use this bag in cribs, carriages and playpens. The plastic bag could block nose and mouth and prevent breathing. This bag is not a toy.
- Before you throw away your old appliance, remove the door or lid so that children cannot hide or get trapped inside your old appliance.
- Failure to follow these instructions can result in death or brain damage.

- 1 With the help of two or more people, open the dishwasher door slowly while one person presses down on the top of the dishwasher. Remove the lower dish rack and all packing material.
- 2 Locate the literature package and read the User Manual for operating instructions.
- 3 Close the dishwasher door until latched and stand the dishwasher upright.
- 4 Properly dispose of/recycle all packing material.

## STEP 2: REMOVE KICK PLATE(S)

- 1 Using a screwdriver, remove the two screws attaching the kick plate(s) to the cabinet.
- 2 Lift off the kick plate.



## STEP 3: CHECK DOOR BALANCE

With another person holding the dishwasher to prevent it from tipping, open the door slowly.

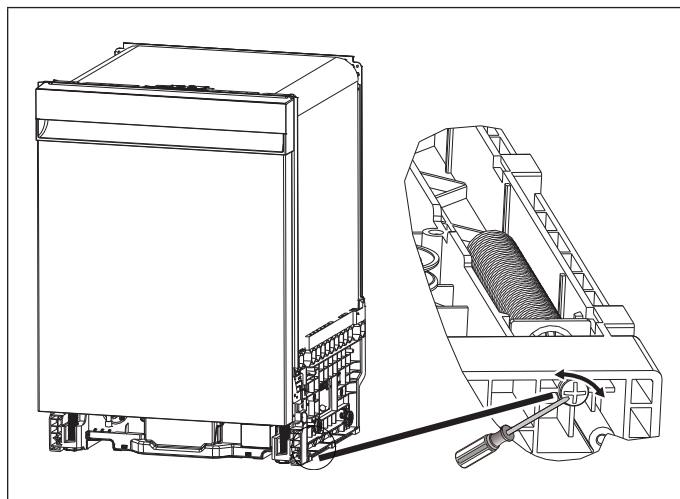
- If the door drops too freely, increase the spring tension.
- If the door closes, decrease the spring tension.

### TO ADJUST THE SPRING TENSION

- 1 Grasping the spring firmly, raise or lower the hook end to the next higher or lower slot and insert the hook into the slot.

**NOTE:** Adjust both springs (left side and right side) to the same tension.

- 2 Retest the door. Continue moving the spring hooks higher or lower until the door is balanced.



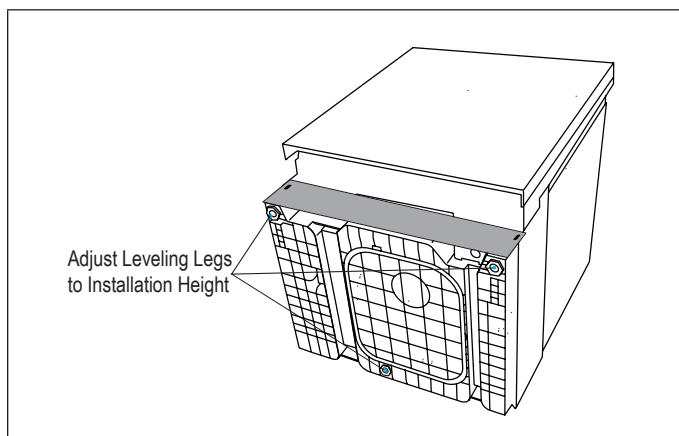
# INSTALLATION INSTRUCTIONS

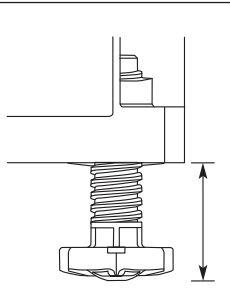
## STEP 4: ADJUST LEVELING LEGS

- 1 Move the dishwasher close to the installation location and lay it on its back.
- 2 Measure the height of the opening from the underside of countertop to floor (lowest point).
- 3 Extend the leveling legs from the base of the dishwasher by the length indicated in the following chart. Take into account any built-up flooring which may need to be added to the rear foot adjustment.

### NOTES:

- If the floor was raised in for the front of the dishwasher, account for this difference when adjusting the rear leveling legs.
- Final leveling leg adjustments will be made following installation into the opening.



LEVELING LEG ADJUSTMENT			
	Opening Height	Front Legs	Back Legs
	33 <sup>3</sup> / <sub>4</sub> "	0	0
	34"	0	1/4"
	34 <sup>1</sup> / <sub>4</sub> "	1/4"	1/2"
	34 <sup>1</sup> / <sub>2</sub> "	1 <sup>1</sup> / <sub>2</sub> "	3/4"
	34 <sup>3</sup> / <sub>4</sub> "	3/4"	1"
	35"	1"	1 <sup>1</sup> / <sub>4</sub> "

## STEP 5A: VERIFY EXISTING UTILITY CONNECTIONS

### WATER CONNECTION

- Check that the water line reaches to the front-left side of opening where the water connection will be made as shown in Figure G.

### ELECTRICAL CONNECTION

- Check that the direct wire cable extends a minimum of 6" beyond the front-right side of the opening, and is routed as shown in Figure F.

## STEP 5B: PREPARE UTILITY CONNECTIONS (IF NEEDED)

### PREPARE TO CONNECT POWER SUPPLY

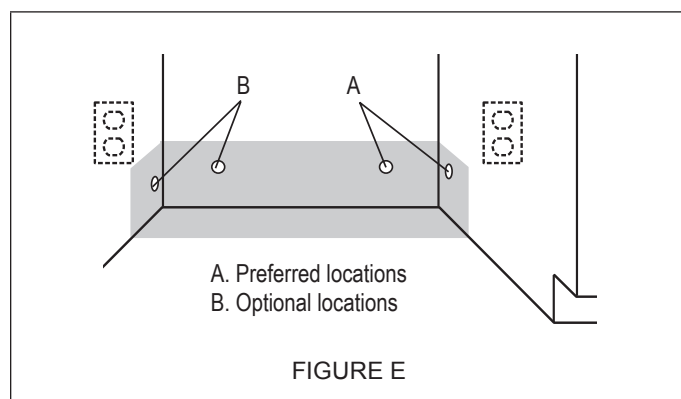
Connect to the Power Supply using one of two Methods: Direct Wire Cable (Method 1) or Power Cord (Method 2). Follow the instructions specific to your installation. For both methods, a hole is drilled into the right side of the cabinet, and the rough edges of the hole must be smoothed or covered. For wood cabinets, sand the edge of the hole until smooth. For metal cabinets, cover the edge of the hole with a grommet (not provided).

### ⚠ WARNING

#### ELECTRICAL SHOCK HAZARD



- Disconnect electrical power at the fuse box or circuit breaker box before installing dishwasher.
- Failure to do so can result in death or electrical shock.



### METHOD 1 - DIRECT WIRE

- 1 Drill a 3/4" (1.9 cm) hole into the right side cabinet, or the right side of the back wall or floor of the opening. See Figure E for preferred and optional locations.

**NOTE:** Wiring the dishwasher will be easier if the wire is routed into the opening from the right side.

- 2 Smooth or cover rough edges of the hole that the wiring will pass through.



# INSTALLATION INSTRUCTIONS

- Route the cable from the power supply through the hole (cable must extend to the front-right-side of the opening). Extend cable to 6" (15.2 cm) in front of unit and tape the cable to the floor to keep it from moving while the dishwasher is moved into the cabinet opening.

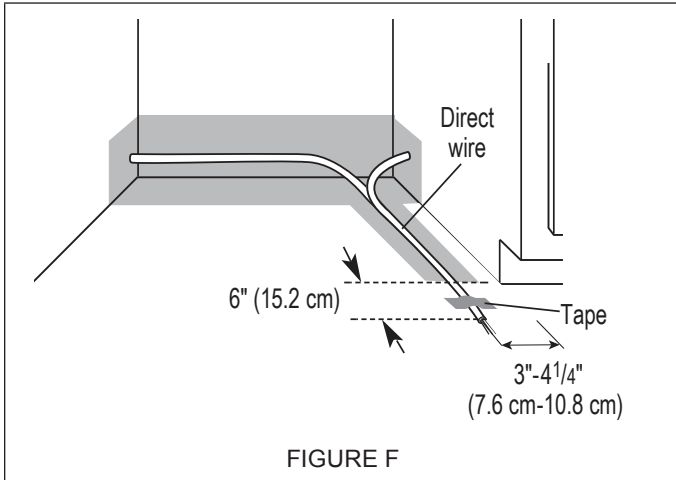


FIGURE F

## METHOD 2 - POWER SUPPLY CORD

The power cord and connections must comply with the National Electrical Code, Section 422 and/or local codes and ordinances. Recommended cord length is 54" to 64".

- A mating 3 prong, ground-type wall receptacle is required in a cabinet next to the dishwasher opening.
  - A power cord kit is available for purchase from an authorized parts dealer.
- Drill a 1 1/2" (3.8 cm) hole in the cabinet rear or side. See Figure H for preferred and optional locations.
  - Smooth edges of hole for power cord.
  - Attach power cord to dishwasher before moving it into the opening. See Step 7 on page 11 for instructions.

### ⚠ WARNING

#### ELECTRICAL SHOCK HAZARD



- Plug into a grounded 3 prong outlet.
- Do not remove the ground prong from the power cord plug.
- Do not use an adapter.
- Do not use an extension cord.
- Failure to follow these warnings can result in death, fire or electrical shock.

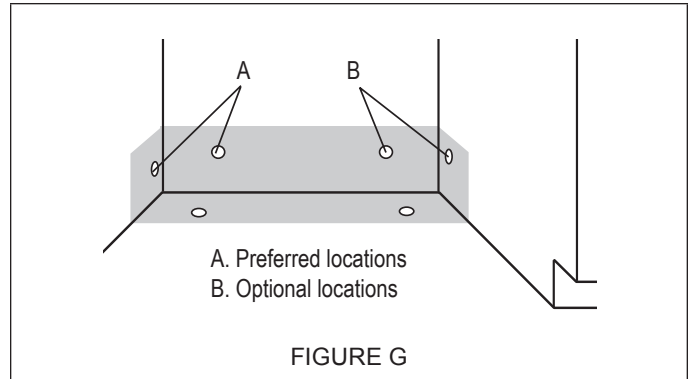
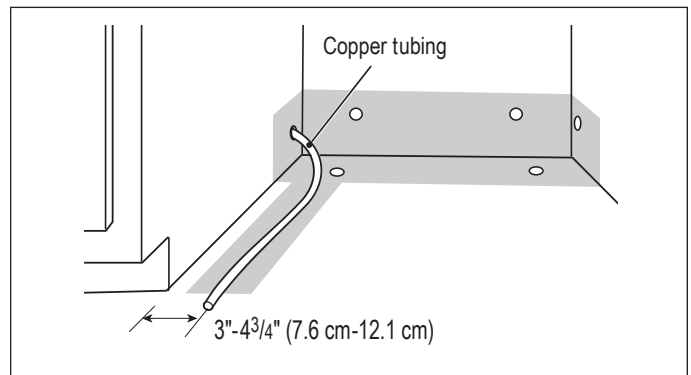


FIGURE G

## PREPARE TO CONNECT WATER LINE

- Drill a 1/2" (1.3 cm) hole in the cabinet side, rear or floor. See Figure G for preferred and optional locations.
- Attach copper tubing to the manual shutoff valve.
- Slowly feed the copper tubing through the hole into the opening. Continue feeding the tubing until there is enough length to connect to the inlet (front-left side of the dishwasher) yet remain within the required boundary.



- Slowly turn water shutoff valve to ON position. Flush water into a shallow pan to get rid of particles that may clog the inlet valve.
- Turn shutoff valve to OFF position.

**NOTE:** The hose can be taped to the floor to secure while dishwasher is moved into place.

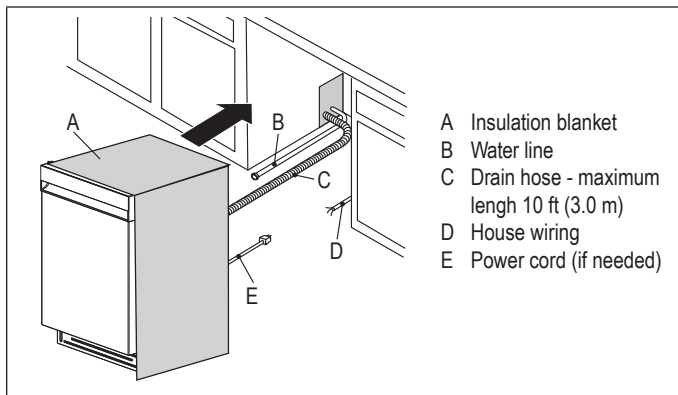
# INSTALLATION INSTRUCTIONS

## STEP 6: CONNECT DRAIN HOSE

### CONNECT DRAIN HOSE TO HOME PLUMBING

The drain hose will be connected to the house drain system after the dishwasher is installed in the opening.

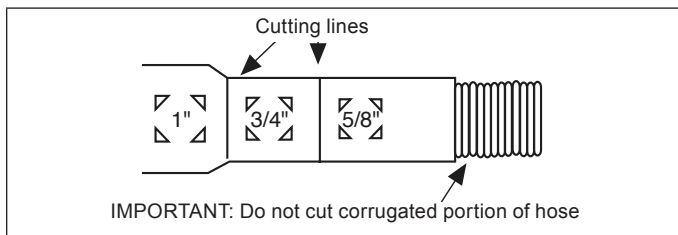
- 1 Drill a 1½" (3.8 cm) hole in cabinet wall or floor on the side of the opening closest to the sink.
- 2 Grasp the sides of the dishwasher at the edges of the door panel, and place the dishwasher in front of the opening.
- 3 Insert the drain hose into the hole in the cabinet wall.
- 4 Attach drain hose to the back of the dishwasher and secure with a hose clamp.



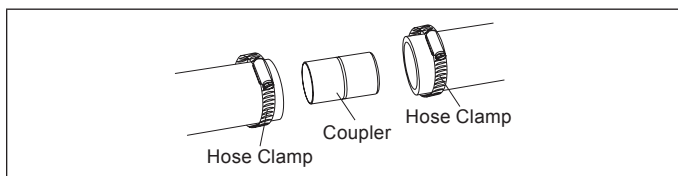
### CONNECT DRAIN LINE

FOLLOW ALL LOCAL CODES AND ORDINANCES.

The drain hose molded end will fit 5/8", 3/4" or 1" diameter connections on the air gap, waste tee or disposer. Cut on the marked line as required for your installation.



- If a longer drain hose is required, add up to 42" of length for a total of 10 feet to the factory installed hose. Use 5/8" or 7/8" inside diameter hose and a coupler to connect the two hose ends. Secure the connection with hose clamps.



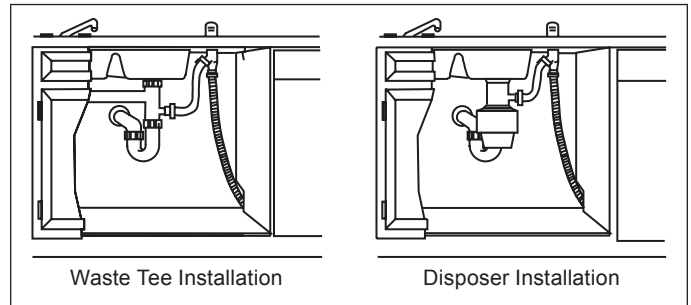
- Secure the drain hose to the air gap, waste tee or disposer with clamps.

**NOTE:** TOTAL DRAIN HOSE LENGTH MUST NOT EXCEED 10 FEET FOR PROPER DRAIN OPERATION.

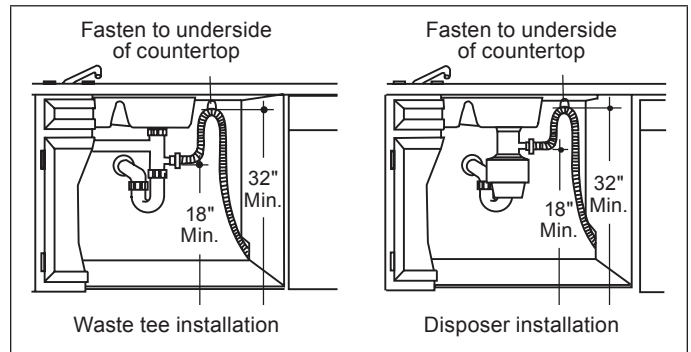
### DRAIN LINE INSTALLATION

- Connect drain line to air gap, waste tee or disposer using either previously determined method.

#### METHOD 1 – AIR GAP WITH WASTE TEE OR DISPOSER



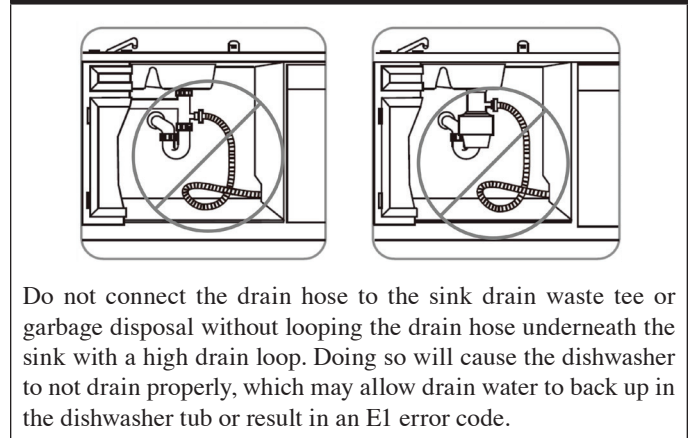
#### METHOD 2 – HIGH DRAIN LOOP WITH WASTE TEE OR DISPOSER



**IMPORTANT:** When connecting drain line to disposer, make sure that the drain plug has been removed. **DISHWASHER WILL NOT DRAIN IF PLUG IS LEFT IN PLACE.**

**TIP:** Avoid unnecessary service call charges. Always be sure disposer drain plug has been removed before attaching dishwasher drain hose to the disposer.

### ⚠ WARNING



Do not connect the drain hose to the sink drain waste tee or garbage disposal without looping the drain hose underneath the sink with a high drain loop. Doing so will cause the dishwasher to not drain properly, which may allow drain water to back up in the dishwasher tub or result in an E1 error code.

# INSTALLATION INSTRUCTIONS

## STEP 7: CONNECT TO POWER SUPPLY

### DIRECT WIRE CABLE

#### ⚠ WARNING

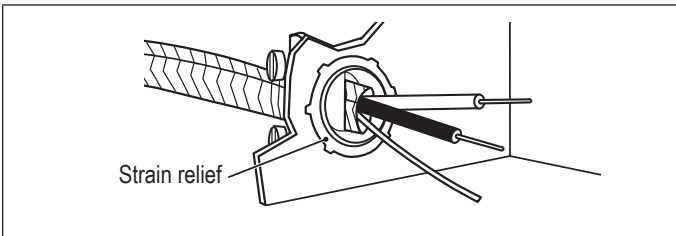
##### ELECTRICAL SHOCK HAZARD



- Electrically ground dishwasher.
- Connect ground wire to green ground connector in terminal box.
- Do not use an extension cord.
- Failure to follow these instructions can result in death, fire or electrical shock.

**IMPORTANT:** Contact a qualified electrician. Be sure the electrical connection and wire size are adequate and in conformance with the National Electrical Code, ANSI/NFPA No. 70-latest edition and all local codes and ordinances.

- 1 Confirm the power is turned off at the source.
- 2 Remove terminal box cover. Retain for later use.
- 3 Install a UL listed/CSA approved strain relief.
- 4 Route the direct wire cable in the channel on the right-hand side of the dishwasher base. Make sure the dishwasher is not resting on and/or pinching the wire.
- 5 Pull direct wire through strain relief in terminal box.

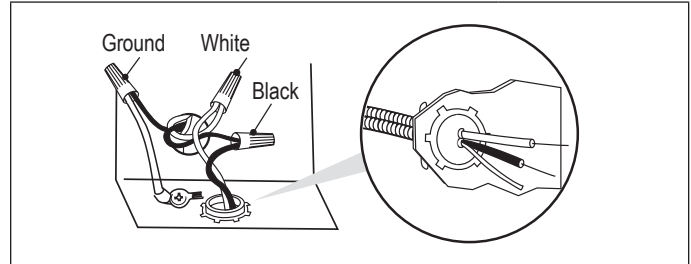
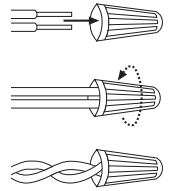


- 6 Connect the wires as follows using UL listed wire nuts of the appropriate size to connect direct wire to 16-gauge dishwasher wire.

POWER SUPPLY WIRE		TERMINAL BOX WIRE
white	↔	white
black	↔	black
ground wire	↔	ground connector

#### NOTES:

- Use UL listed wire nuts of the appropriate size to connect your household wiring to 16-gauge dishwasher wiring.
- Insert wire ends into twist-on connector. Do not pre-twist bare wire.
- Twist connector.
- Gently tug on wires to be sure both wires are secured.



- 7 Tighten strain relief screws to secure the power cord.
- 8 Gently guide the wire nuts into the junction box then replace the junction box cover making sure to not pinch the wires.

### CONNECT POWER CORD

#### ⚠ WARNING

##### ELECTRICAL SHOCK HAZARD



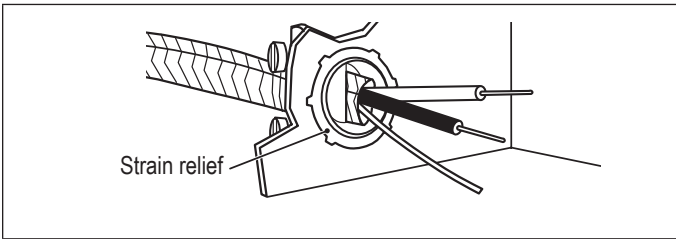
- Plug into a grounded 3 prong outlet.
- Do not remove the ground prong from the power cord plug.
- Do not use an adapter.
- Do not use an extension cord.
- Failure to do so can result in death, fire or electrical shock.

**IMPORTANT:** The power cord and connections must comply with the National Electrical Code, Section 422 and/or local codes and ordinances. Recommended cord length is 54" to 64".

- 1 Confirm the power is turned off at the source.
- 2 Remove junction box cover. Retain for later use.
- 3 Install a UL listed/CSA approved strain relief.
- 4 Route power cord in the channel on the right-hand side of the dishwasher base. Make sure the dishwasher is not resting on and/or pinching the wire.

# INSTALLATION INSTRUCTIONS

5 Pull the power cord through the strain relief in the junction box.

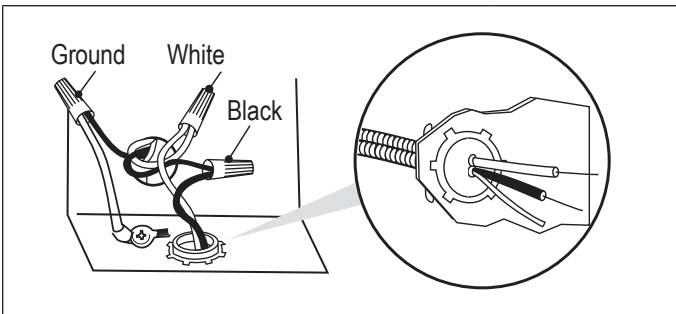
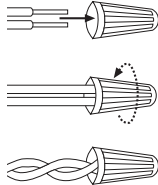


6 Connect the wires as follows using UL listed wire nuts of the appropriate size to connect power cord to 16-gauge dishwasher wire.

POWER SUPPLY WIRE		TERMINAL BOX WIRE
white	↔	white
black	↔	black
ground wire	↔	ground connector

## NOTES:

- Use cUL/UL listed wire nuts of the appropriate size to connect the power cord to 16-gauge dishwasher wiring.
- Insert wire ends into the wire nut. Do not pre-twist bare wire.
- Twist the wire nut.
- Gently tug on wires to be sure both wires are secured.



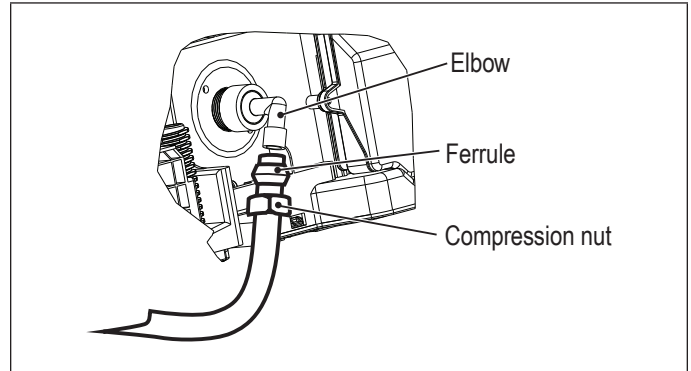
7 Tighten strain relief screws to secure the power cord.

8 Gently guide the wire nuts into the junction box then replace the junction box cover making sure to not pinch the wires.

## STEP 8: CONNECT TO WATER SUPPLY

**IMPORTANT:** Handle and reposition the copper tubing gently; it bends and kinks easily.

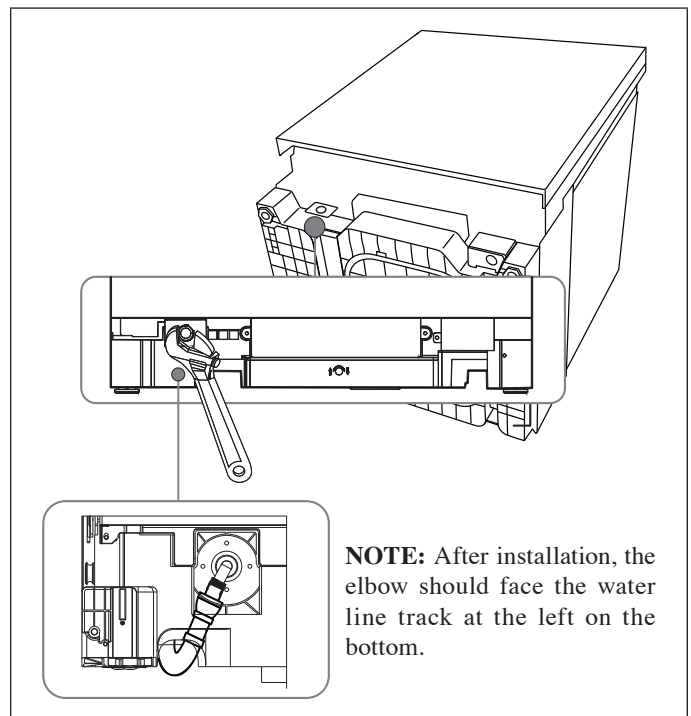
1 Connect the water supply line to the 90° elbow. Do not overtighten.



2 Route the water supply line in the channel on the left side of the base. To minimize the noise caused by vibration when using the dishwasher, make sure the supply line does not touch the dishwasher base, frame or motor. Make sure the dishwasher is not resting on and/or pinching the supply line.

3 Tighten the compression nut until snug. Do not overtighten.

4 Place a paper towel under elbow then turn on the water supply to check for leaks.



# INSTALLATION INSTRUCTIONS

## STEP 9: SLIDE DISHWASHER PARTIALLY INTO CABINET

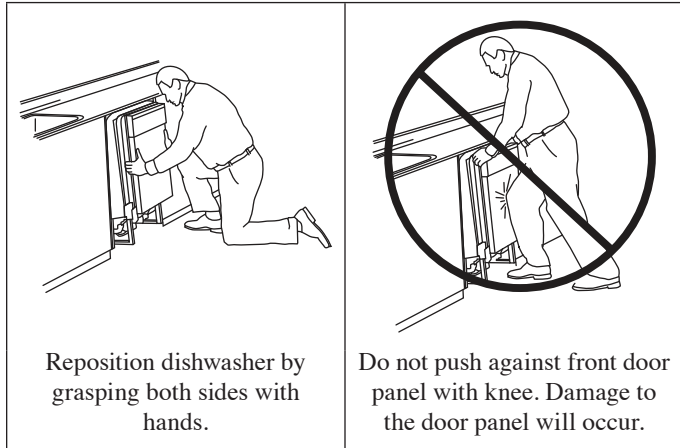
### ⚠ WARNING

#### TIP OVER HAZARD

- Do not use dishwasher until completely installed.
- Do not push down on open door.
- Doing so can result in serious injury or cuts.

- 1 Position power supply.
  - If dishwasher has a power supply cord, insert power supply cord into the hole cut into the cabinet.
  - If using a direct-wire connection, check that the wiring is on the front-right side of opening.
- 2 Make sure the drain hose is not kinked under the dishwasher and there is no interference with the water line and wiring or any other component.
- 3 Slowly move the dishwasher into the opening a few inches at a time. As you proceed, pull the drain hose, water supply hose and cord through the opening under the sink or cabinet. Stop pushing when the dishwasher is a few inches in front of the adjacent cabinetry.

**NOTE:** Do not push against the front of the panel or on the console, as this will cause denting.



Reposition dishwasher by grasping both sides with hands.

Do not push against front door panel with knee. Damage to the door panel will occur.

- 4 Push dishwasher completely into the opening so that the front corners of the dishwasher door are flush with the cabinet doors.

**NOTE:** It is all right if the dishwasher fits tightly into cabinet opening. Do not remove the insulation blanket, as it reduces the sound level.

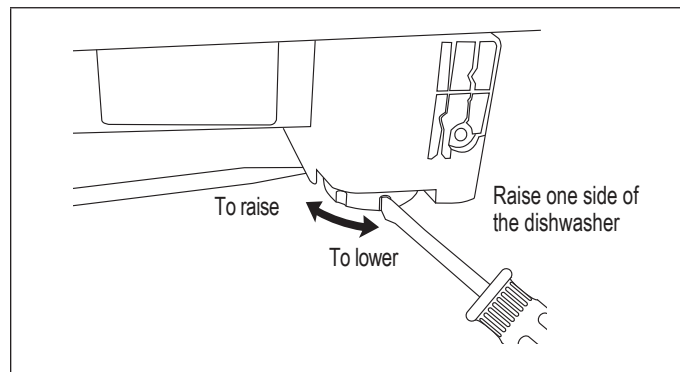
## STEP 10: LEVEL DISHWASHER

**IMPORTANT:** The dishwasher must be level for proper dish rack operation and wash performance.

- 1 Level the dishwasher so its front panel is aligned with the adjacent cabinet doors.

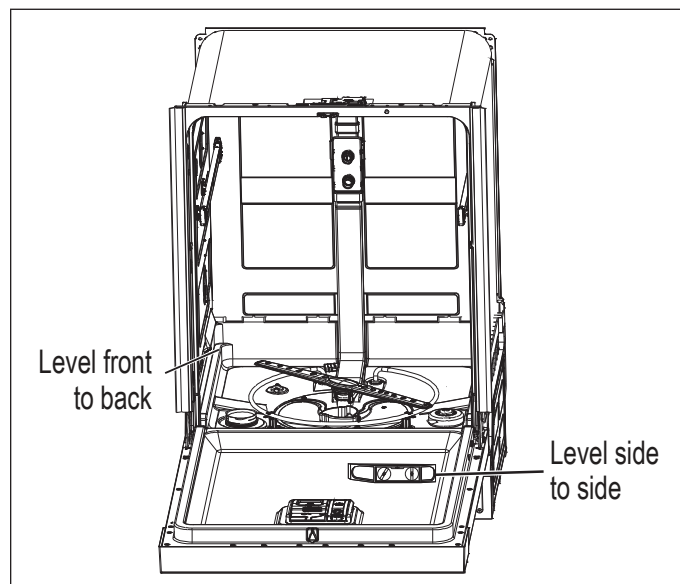
**NOTE:** With some installations, it may be easier to adjust the front leg using a flat blade screwdriver.

- To lower - Turn the leveling leg counterclockwise.
- To raise - Turn the leveling leg clockwise.



- 2 Check that the leveling legs are firmly against the floor.
- 3 Close and latch the door then place level against the front panel. Check that dishwasher is plumb. If needed, adjust leveling leg or add shims until dishwasher is plumb.

**NOTE:** Shims must be securely attached to floor to prevent their movement when the dishwasher is operated.
- 4 Repeat for other side of dishwasher.
- 5 Place level on door and rack track inside the tub as shown. Check that dishwasher is level from side to side, and from back to front. If the dishwasher is not level, adjust front legs up or down until dishwasher is level.



**NOTE:** Pull lower rack out about halfway. If the rack rolls forward or back into the dishwasher, the dishwasher must be leveled again.

# INSTALLATION INSTRUCTIONS

## STEP 11: SECURE DISHWASHER

**IMPORTANT:** The dishwasher must be secured to adjacent cabinets to keep it from tipping when the door is opened.

Follow the instructions to install mounting brackets in the manner required for your installation method. You will secure the dishwasher after it is connected to the utilities and moved into the opening.

### ⚠ WARNING

#### EXCESSIVE WEIGHT HAZARD

- Use two or more people to move and install dishwasher.
- Failure to do so can result in back or other injury.

## INSTALLATION TO ADJACENT CABINETS

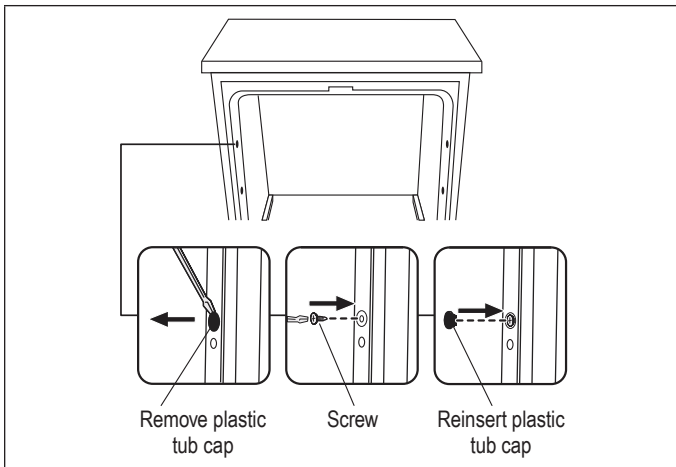
1 Remove the plastic tub caps from the inside of the dishwasher tub.

2 Drive a wood screw through the hole in the side of the dishwasher into the cabinet frame.

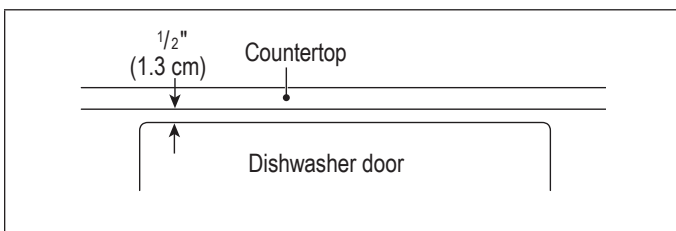
### IMPORTANT:

- Drive the screws straight and flush. Protruding screw heads will scratch the side of the dishwasher. This method is for attaching the dishwasher to the side of the cabinet, and it should be done when the countertop is made of granite or other breakable materials.
- Do not overtighten side screws.

3 Reinsert the plastic tub caps.



4 Close dishwasher door and verify that gap between the countertop and the top of the dishwasher door is at least 1/4" (0.64 cm).



5 Reinstall the lower dish rack.

## STEP 12: PRE-TEST CHECKLIST

**Review this list after installing your dishwasher to avoid charges for a service call that is not covered by your warranty.**

- Be sure power is OFF.
- Open door and remove all foam and paper packaging.
- Locate the Owner's Manual in the literature package.
- Read the Owner's Manual for operating instructions.
- Check door opening and closing. If door does not open and close freely or tends to fall, check spring adjustments. See Step 1.
- Be sure wiring is secure under the dishwasher, not pinched or in contact with door springs or other components. See Step 9.
- Check door alignment with tub. If door hits tub, level dishwasher. See Step 10.
- Pull lower rack out, about halfway. Make sure it does not roll back or forward on the door. If the rack moves, adjust leveling legs. See Step 10.
- Check door alignment with cabinet. If door hits cabinet, reposition or relevel dishwasher. See Step 10.
- Verify water supply and drain lines are not kinked or in contact with other components. Contact with motor or dishwasher frame could cause noise. See Step 8.
- Turn on the sink hot water faucet and verify water temperature. Incoming water temperature must be between 120°F and 150°F. A minimum of 120°F temperature is required for best wash performance.
- Add 2 liters of water to the bottom of the dishwasher to lubricate the pump seal.
- Turn on water supply. Check for leaks. Tighten connections if needed.
- Remove protective film if present from the control panel and door.

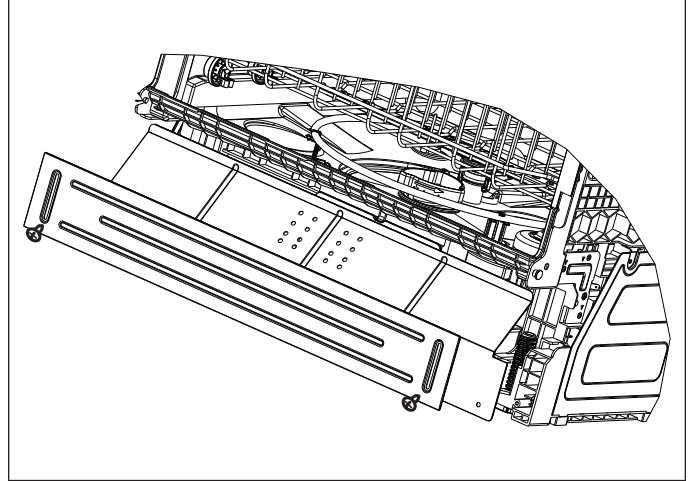
# INSTALLATION INSTRUCTIONS

## STEP 13: DISHWASHER WET TEST

- Turn on power supply (or plug power cord into outlet, if equipped).
- Turn on the dishwasher (please refer to the Operation Manual for instructions).
- Close door, select RINSE ONLY cycle and press START/CANCEL.
- Be sure water enters the dishwasher. If water does not enter the dishwasher, ensure water and power are turned on.
- Check for leaks under the dishwasher. If a leak is found, turn off power supply, then tighten connections. Restore power after leak is corrected.
- Check for leaks around the door. A leak around the door could be caused by the door rubbing or hitting against adjacent cabinetry. Reposition the dishwasher if necessary. See Step 9.
- When the dishwasher is draining, check the drain lines. If leaks are found, turn off power at the breaker and correct plumbing as necessary. Restore power after corrections are made. See Step 12.
- Open dishwasher door and make sure most of the water has drained. If not, check that disposer plug has been removed and/or air gap is not plugged and check drain line for kinking. .
- Run the dishwasher through another fill and drain cycle. Check for leaks and correct if required.

## STEP 14: REPLACE KICK PLATE

- 1 Place the kick plate against the legs of the dishwasher. The slots in the kick plate should align with the screw holes in the bracket. Allow the bottom edge of the kick plate to touch the floor.
- 2 Using screws (provided), fasten the kickplate to the dishwasher.



## STEP 15: LITERATURE

Be sure to leave complete literature package and installation instructions with the consumer.



**SHARP**<sup>®</sup>

**SHARP ELECTRONICS CORPORATION**

100 PARAGON DRIVE • MONTVALE, NEW JERSEY 07645 • USA