



SPIRITTM

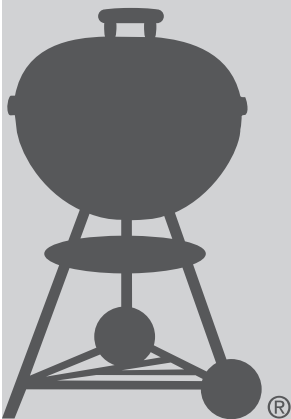
GRILL OWNER'S GUIDE

E-210TM · S-210TM · E-310TM · SP-310TM LP

**YOU MUST READ THIS OWNER'S GUIDE
BEFORE OPERATING YOUR GAS GRILL.**

REGISTER YOUR GRILL

Thank you for purchasing a Weber® grill. Take a few minutes to protect your investment by registering your grill online at www.weber.com. Reference the serial number on the front cover of this owner's guide.



⚠ DANGER

If you smell gas:

- 1) Shut off gas to the appliance.
- 2) Extinguish any open flames.
- 3) Open lid.
- 4) If odor continues, keep away from the appliance and immediately call your gas supplier or your fire department.

Leaking gas may cause a fire or explosion which can cause serious bodily injury, death, or damage to property.

Carefully follow all leak-check procedures in this Owner's Guide prior to grill operation. Do this even if the grill was dealer-assembled.

Do not ignite this appliance without first reading the burner ignition sections of this manual.

⚠ WARNING

- 1) Do not store or use gasoline or other flammable liquids or vapors in the vicinity of this or any other appliance.
- 2) An LP tank not connected for use shall not be stored in the vicinity of this or any other appliance.

**THIS GAS APPLIANCE IS
DESIGNED FOR OUTDOOR
USE ONLY.**

NOTICE TO INSTALLER: These instructions must be left with the owner, who should keep them for future use.



48615

US - ENGLISH
12/01/16

WARNINGS

⚠ DANGER

Failure to follow the DANGERS, WARNINGS and CAUTIONS contained in this Owner's Guide may result in serious bodily injury or death, or may result in a fire or an explosion causing damage to property.

WARNINGS:

- ⚠ Improper assembly of grill may be dangerous. Please follow the assembly instructions carefully.
- ⚠ Do not use this grill unless all parts are in place. The grill must be properly assembled according to the assembly instructions.
- ⚠ Your Weber® gas grill should never be used by children. Accessible parts of the grill may be very hot. Keep young children away while grill is in use.
- ⚠ Exercise caution when using your Weber® gas grill. It will be hot during cooking or cleaning, and should never be left unattended, or moved while in operation.
- ⚠ Do not use charcoal or lava rock in your Weber® gas grill.
- ⚠ While igniting the grill or cooking, never lean over open grill.
- ⚠ Never place hands or fingers on the front edge of the cookbox when the grill is hot or the lid is open.
- ⚠ Do not attempt to disconnect the gas regulator and hose assembly or any gas fitting while your grill is in operation.
- ⚠ Use heat-resistant barbecue mitts or gloves when operating grill.
- ⚠ Use the pressure regulator and hose assembly that is supplied with your Weber® gas grill.
- ⚠ Should the burners go out while grill is in operation, turn all gas valves off. Open the lid and wait five minutes before attempting to relight grill, using the igniting instructions.
- ⚠ Do not use the grill within 24 inches (61cm) of combustible materials. This includes the top, bottom, back or sides of the grill.
- ⚠ Do not build this model of grill in any built-in or slide-in construction. Ignoring this WARNING could cause a fire or an explosion that can damage property and cause serious bodily injury or death.
- ⚠ Do not store an extra (spare) or disconnected liquid propane tank under or near this grill.
- ⚠ After a period of storage and/or nonuse, the Weber® gas grill should be checked for gas leaks and burner obstructions before use. See instructions in this Owner's Guide for correct procedures.
- ⚠ Do not operate the Weber® gas grill if there is a gas leak present.
- ⚠ Do not use a flame to check for gas leaks.
- ⚠ Do not put a grill cover or anything flammable on, or in the storage area under the grill while grill is in operation or is hot.
- ⚠ Liquid propane gas is not natural gas. The conversion or attempted use of natural gas in a liquid propane gas unit or liquid propane gas in a natural gas unit is dangerous and will void your warranty.
- ⚠ Keep any electrical supply cord and the fuel supply hose away from any heated surfaces.
- ⚠ Do not enlarge valve orifices or burner ports when cleaning the valves or burners.
- ⚠ The Weber® gas grill should be thoroughly cleaned on a regular basis.
- ⚠ A dented or rusty liquid propane tank may be hazardous and should be checked by your liquid propane supplier. Do not use a liquid propane tank with a damaged valve.
- ⚠ Although your liquid propane tank may appear to be empty, gas may still be present, and the tank should be transported and stored accordingly.
- ⚠ If you see, smell or hear the hiss of gas escaping from the liquid propane tank:
 1. Move away from liquid propane tank.
 2. Do not attempt to correct the problem yourself.
 3. Call your fire department.
- ⚠ Should a grease fire occur, turn off all burners and leave lid closed until fire is out.

ADDITIONAL WARNINGS FOR STATE OF CALIFORNIA:

- ⚠ Combustion byproducts produced when using this product contain chemicals known to the state of California to cause cancer, birth defects, or other reproductive harm.
- ⚠ Proposition 65 Warning: Handling the brass material on this product exposes you to lead, a chemical known to the state of California to cause cancer, birth defects or other reproductive harm. (Wash hands after handling this product.)

WARRANTY

Thank you for purchasing a Weber® product. Weber-Stephen Products LLC, 1415 S. Roselle Road, Palatine, Illinois 60067 ("Weber") prides itself on delivering a safe, durable, and reliable product.

This is Weber's Voluntary Warranty provided to you at no extra charge. It contains the information you will need to have your Weber® product repaired in the unlikely event of a failure or defect.

Pursuant to applicable laws, the customer has several rights in case the product is defective. Those rights include supplementary performance or replacement, abatement of the purchasing price, and compensation. In the European Union, for example, this would be a two-year statutory warranty starting on the date of the handover of the product. These and other statutory rights remain unaffected by this warranty provision. In fact, this warranty grants additional rights to the Owner that are independent from statutory warranty provisions.

WEBER'S VOLUNTARY WARRANTY

Weber warrants, to the purchaser of the Weber® product (or in the case of a gift or promotional situation, the person for whom it was purchased as a gift or promotional item), that the Weber® product is free from defects in material and workmanship for the period(s) of time specified below when assembled and operated in accordance with the accompanying Owner's Manual. (Note: If you lose or misplace your Weber® Owner's Manual, a replacement is available online at www.weber.com, or such country-specific website to which Owner may be redirected.) Under normal, private single family home or apartment use and maintenance, Weber agrees within the framework of this warranty to repair or replace defective parts within the applicable time periods, limitations, and exclusions listed below. TO THE EXTENT ALLOWABLE BY APPLICABLE LAW, THIS WARRANTY IS EXTENDED ONLY TO THE ORIGINAL PURCHASER AND IS NOT TRANSFERABLE TO SUBSEQUENT OWNERS, EXCEPT IN THE CASE OF GIFTS AND PROMOTIONAL ITEMS AS NOTED ABOVE.

OWNER'S RESPONSIBILITIES UNDER THIS WARRANTY

To ensure trouble-free warranty coverage, it is important (but it is not required) that you register your Weber® product online at www.weber.com, or such country-specific website to which Owner may be redirected. Please also retain your original sales receipt and/or invoice. Registering your Weber® product confirms your warranty coverage and provides a direct link between you and Weber in case we need to contact you.

The above warranty only applies if the Owner takes reasonable care of the Weber® product by following all assembly instructions, usage instructions, and preventative maintenance as outlined in the accompanying Owner's Manual, unless the Owner can prove that the defect or failure is independent of non-compliance with the above mentioned obligations. If you live in a coastal area, or have your product located near a pool, maintenance includes regular washing and rinsing of the exterior surfaces as outlined in the accompanying Owner's Manual.

WARRANTY HANDLING / EXCLUSION OF WARRANTY

If you believe that you have a part which is covered by this Warranty, please contact Weber Customer Service using the contact information on our website (www.weber.com, or such country-specific website to which Owner may be redirected). Weber will, upon investigation, repair or replace (at its option) a defective part that is covered by this Warranty. In the event that repair or replacement are not possible, Weber may choose (at its option) to replace the grill in question with a new grill of equal or greater value. Weber may ask you to return parts for inspection, shipping charges to be pre-paid.

This WARRANTY lapses if there are damages, deteriorations, discolorations, and/or rust for which Weber is not responsible caused by:

- Abuse, misuse, alteration, modification, misapplication, vandalism, neglect, improper assembly or installation, and failure to properly perform normal and routine maintenance;
- Insects (such as spiders) and rodents (such as squirrels), including but not limited to damage to burner tubes and/or gas hoses;
- Exposure to salt air and/or chlorine sources such as swimming pools and hot tubs/spas;
- Severe weather conditions such as hail, hurricanes, earthquakes, tsunamis or surges, tornadoes or severe storms.

The use and/or installation of parts on your Weber® product that are not genuine Weber parts will void this Warranty, and any damages that result hereby are not covered by this Warranty. Any conversion of a gas grill not authorized by Weber and performed by a Weber authorized service technician will void this Warranty.

The grills illustrated in this Owner's Guide may vary slightly from the model purchased.

PRODUCT WARRANTY PERIODS

Cookbox:
10 years, no rust through/burn through
(2 years paint excluding fading or discoloration)

Lid assembly:
10 years, no rust through/burn through
(2 years paint excluding fading or discoloration)

Stainless steel burner tubes:
5 years, no rust through/burn through

Stainless steel cooking grates:
5 years, no rust through/burn through

Stainless steel Flavorizer™ bars:
5 years, no rust through/burn through

Porcelain-enameled cast iron cooking grates:
5 years, no rust through/burn through

All remaining parts:
2 years

DISCLAIMERS

APART FROM THE WARRANTY AND DISCLAIMERS AS DESCRIBED IN THIS WARRANTY STATEMENT, THERE ARE EXPLICITLY NO FURTHER WARRANTY OR VOLUNTARY DECLARATIONS OF LIABILITY GIVEN HERE WHICH GO BEYOND THE STATUTORY LIABILITY APPLYING TO WEBER. THE PRESENT WARRANTY STATEMENT ALSO DOES NOT LIMIT OR EXCLUDE SITUATIONS OR CLAIMS WHERE WEBER HAS MANDATORY LIABILITY AS PRESCRIBED BY STATUTE.

NO WARRANTIES SHALL APPLY AFTER THE APPLICABLE PERIODS OF THIS WARRANTY. NO OTHER WARRANTIES GIVEN BY ANY PERSON, INCLUDING A DEALER OR RETAILER, WITH RESPECT TO ANY PRODUCT (SUCH AS ANY "EXTENDED WARRANTIES"), SHALL BIND WEBER. THE EXCLUSIVE REMEDY OF THIS WARRANTY IS REPAIR OR REPLACEMENT OF THE PART OR PRODUCT.

IN NO EVENT UNDER THIS VOLUNTARY WARRANTY SHALL RECOVERY OF ANY KIND BE GREATER THAN THE AMOUNT OF THE PURCHASE PRICE OF THE WEBER® PRODUCT SOLD.

YOU ASSUME THE RISK AND LIABILITY FOR LOSS, DAMAGE, OR INJURY TO YOU AND YOUR PROPERTY AND/OR TO OTHERS AND THEIR PROPERTY ARISING OUT OF THE MISUSE OR ABUSE OF THE PRODUCT OR FAILURE TO FOLLOW INSTRUCTIONS PROVIDED BY WEBER IN THE ACCOMPANYING OWNER'S MANUAL.

PARTS AND ACCESSORIES REPLACED UNDER THIS WARRANTY ARE WARRANTED ONLY FOR THE BALANCE OF THE ABOVE MENTIONED ORIGINAL WARRANTY PERIOD(S).

THIS WARRANTY APPLIES TO PRIVATE SINGLE FAMILY HOME OR APARTMENT USE ONLY AND DOES NOT APPLY TO WEBER® GRILLS USED IN COMMERCIAL, COMMUNAL OR MULTI-UNIT SETTINGS SUCH AS RESTAURANTS, HOTELS, RESORTS, OR RENTAL PROPERTIES.

WEBER MAY FROM TIME TO TIME CHANGE THE DESIGN OF ITS PRODUCTS. NOTHING CONTAINED IN THIS WARRANTY SHALL BE CONSTRUED AS OBLIGATING WEBER TO INCORPORATE SUCH DESIGN CHANGES INTO PREVIOUSLY MANUFACTURED PRODUCTS, NOR SHALL SUCH CHANGES BE CONSTRUED AS AN ADMISSION THAT PREVIOUS DESIGNS WERE DEFECTIVE.

WEBER-STEPHEN PRODUCTS LLC

Customer Service Center
1415 S. Roselle Road
Palatine, IL 60067
U.S.A.

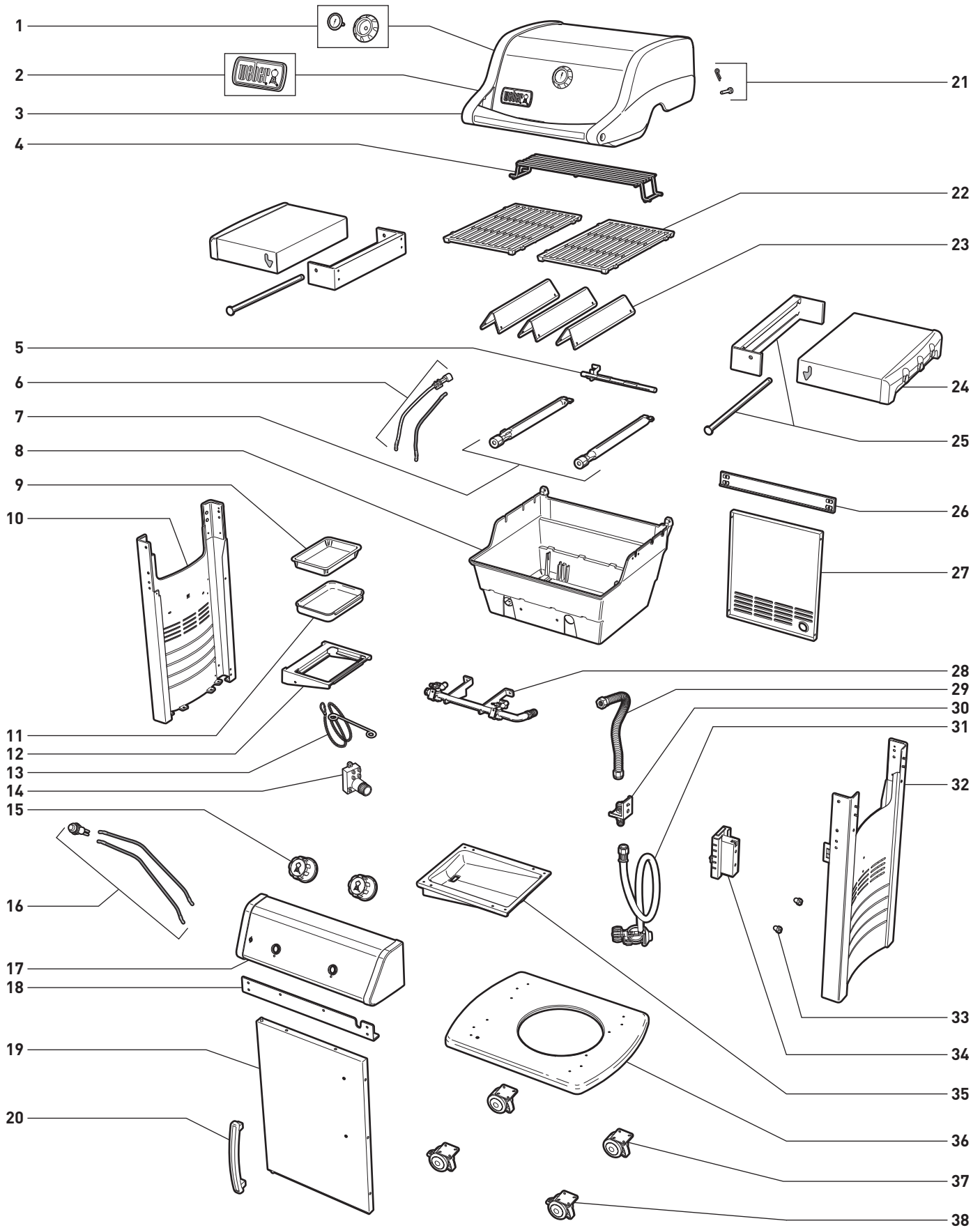
For replacement parts, call:
1-800-446-1071

TABLE OF CONTENTS

WARNINGS	2
WARRANTY	3
TABLE OF CONTENTS	3
SPIRIT® E/S-210™ LP EXPLODED VIEW	4
SPIRIT® E-310™ LP EXPLODED VIEW	6
SPIRIT® SP-310™ LP EXPLODED VIEW	8
IMPORTANT INFORMATION ABOUT LP GAS	10
WHAT IS LP GAS?	10
SAFE HANDLING TIPS FOR LIQUID PROPANE GAS TANKS	10
STORAGE AND/OR NONUSE	10
US INSTALLATION CODES	10
MEXICO INSTALLATION CODES	10
CANADIAN INSTALLATION CODES	10
US LP TANK REQUIREMENTS	10
CANADIAN LP TANK REQUIREMENTS	10
IMPORTANT INFORMATION ABOUT LP GAS CONNECTIONS	11
WHAT IS A REGULATOR?	11
REGULATOR CONNECTIONS	11
LP TANK INSTALLATION AND REMOVAL	12
FUELING YOUR GRILL	12
INSTALLING THE LP TANK	12
FUEL LEVEL	13
REMOVING THE LIQUID PROPANE TANK FOR REFILLING OR REPLACEMENT	13
FILLING THE LP GAS TANK	13
PREPARING TO USE YOUR GRILL	14
WHAT IS A LEAK CHECK?	14
PARTIAL DISASSEMBLY OF YOUR GRILL FOR A LEAK CHECK	14
CHECKING FOR GAS LEAKS	15
GRILLING TIPS & HELPFUL HINTS	16
TIPS & HINTS	16
PREHEATING	16
COVERED COOKING	16
FLAVORIZER™ SYSTEM	16
DRIPPINGS AND GREASE	16
SAFETY CHECKS BEFORE USING YOUR GRILL	17
SAFETY FIRST	17
SLIDE-OUT GREASE TRAY	17
CATCH PAN AND DISPOSABLE DRIP PAN	17
HOSE INSPECTION	17
MAIN BURNER IGNITION & USAGE	18
METHODS OF BURNER IGNITION	18
MAIN BURNER IGNITION	18
TO EXTINGUISH BURNER	18
TROUBLESHOOTING	20
GENERAL TROUBLESHOOTING	20
CLEANING FOR GREAT MEALS	21
MEAL-TO-MEAL MAINTENANCE	21
MAINTAINING THE GREASE MANAGEMENT SYSTEM	21
PREHEATING THE GRILL	21
CLEANING THE COOKING GRATE	21
CLEANING FOR SAFETY	22
CLEANING THE BURNER TUBES	22
CLEAN THE BURNER TUBE PORTS	22
CLEAN THE SPIDER/INSECT SCREENS	23
CALL CUSTOMER SERVICE	23
CLEANING FOR PERFORMANCE	24
PREVENTATIVE MAINTENANCE	24
CLEANING THE LID	24
CLEANING THE COOKING GRATES	24
CLEANING THE FLAVORIZER™ BARS	24
CLEANING THE COOKBOX	25
CLEANING THE GREASE MANAGEMENT SYSTEM	25
CLEANING THE OUTSIDE OF GRILLS THAT ARE IN UNIQUE ENVIRONMENTS	25
STORAGE AND/OR NONUSE	25
IGNITION SYSTEM MAINTENANCE	26
MAINTAINING THE ELECTRONIC CROSSOVER™ IGNITION SYSTEM	26

SPIRIT™ E/S-210™ LP EXPLODED VIEW · DIAGRAMA DE DESPIECE · VUE ECLATEE

Spirit™ E/S-210™_LP_US_072314



**SPIRIT™ E/S-210™ LP
EXPLODED VIEW LIST**

1. Thermometer and Bezel
2. Logo Plate
3. Shroud Assembly
4. Warming Rack
5. Crossover® Burner Tube
6. Igniter Electrode
7. Burner Tube
8. Cookbox
9. Disposable Drip Pan
10. Left Frame Panel
11. Catch Pan
12. Catch Pan Holder
13. Matchstick Holder
14. Igniter Module
15. Control Knob
16. Igniter Button
17. Control Panel
18. Front Cross Brace
19. Door
20. Door Handle
21. Shroud Hardware
22. Cooking Grate
23. Flavorizer® Bar
24. Fold-Down Side Table
25. Fold-Down Assembly
26. Rear Cross Brace
27. Rear Panel
28. Manifold
29. Manifold Hose
30. Bulkhead
31. Hose & Regulator
32. Right Frame Panel
33. Tank Glide
34. Tank Scale
35. Slide-Out Grease Tray
36. Bottom Panel
37. Caster
38. Locking Caster

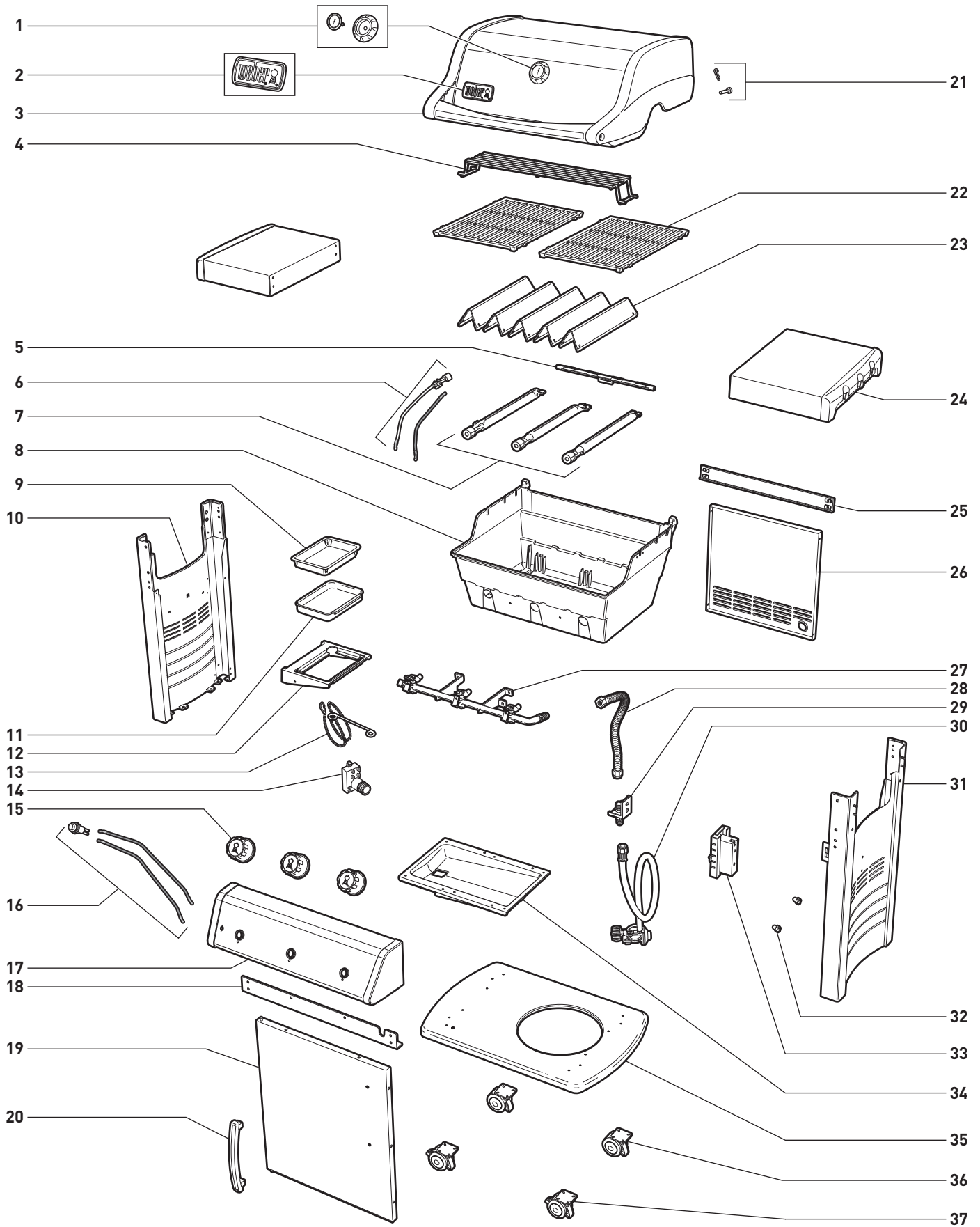
**SPIRIT™ E/S-210™ LP
LISTA DEL DIAGRAMA DE DESPIECE**

1. Termómetro y bisel
2. Placa del logotipo
3. Ensamblaje de la cubierta
4. Rejilla para calentar
5. Tubo del quemador Crossover®
6. Electrodo de encendido
7. Tubo del quemador
8. Caja de cocción
9. Bandeja de goteo desechable
10. Panel izquierdo del bastidor
11. Plato recolector
12. Soporte del plato recolector
13. Portacerillos
14. Módulo de encendido
15. Perilla de control
16. Botón de encendido
17. Tablero de control
18. Refuerzo transversal delantero
19. Puerta
20. Asa de la puerta
21. Accesorios de la cubierta
22. Parrilla de cocción
23. Barra Flavorizer®
24. Mesa lateral
25. Ensamble plegable
26. Refuerzo transversal posterior
27. Panel posterior
28. Múltiple
29. Manguera del múltiple
30. Bloque de conexiones
31. Manguera y regulador
32. Panel derecho del bastidor
33. Deslizadora del tanque
34. Báscula del tanque
35. Bandeja deslizante de grasa
36. Panel inferior
37. Rueda giratoria
38. Rueda giratoria con bloqueo

**SPIRIT™ E/S-210™ LP
LISTE DE LA VUE ÉCLATÉE**

1. Thermomètre et bec
2. Plaque du logo
3. Assemblage du châssis
4. Grille de maintien au chaud
5. Tube du brûleur Crossover®
6. Électrode de l'allumeur
7. Tube du brûleur
8. Boîtier de cuisson
9. Égouttoir jetable
10. Panneau du cadre gauche
11. Égouttoir
12. Support pour égouttoir
13. Porte-allumette
14. Module de l'allumeur
15. Bouton de commande
16. Bouton de l'allumeur
17. Panneau de commande
18. Croisillon avant
19. Port
20. Poignée de porte
21. Quincaillerie du châssis
22. Grille de cuisson
23. Barre Flavorizer®
24. Tablette latérale
25. Assemblage pliable
26. Croisillon arrière
27. Panneau arrière
28. Collecteur
29. Tuyau du collecteur
30. Cloison
31. Tuyau & régulateur
32. Panneau du châssis droit
33. Glissière du réservoir de gaz
34. Échelle du réservoir de gaz
35. Plateau de récupération des graisses amovible
36. Panneau inférieur
37. Roulette
38. Roulette à verrouillage

Spirit™ E-310™_LP_US_070114



**SPIRIT™ E-310™ LP
EXPLODED VIEW LIST**

1. Thermometer and Bezel
2. Logo Plate
3. Shroud Assembly
4. Warming Rack
5. Crossover® Burner Tube
6. Igniter Electrode
7. Burner Tube
8. Cookbox
9. Disposable Drip Pan
10. Left Frame Panel
11. Catch Pan
12. Catch Pan Holder
13. Matchstick Holder
14. Igniter Module
15. Control Knob
16. Igniter Button
17. Control Panel
18. Front Cross Brace
19. Door
20. Door Handle
21. Shroud Hardware
22. Cooking Grate
23. Flavorizer® Bar
24. Side Table
25. Rear Cross Brace
26. Rear Panel
27. Manifold
28. Manifold Hose
29. Bulkhead
30. Hose & Regulator
31. Right Frame Panel
32. Tank Glide
33. Tank Scale
34. Slide-Out Grease Tray
35. Bottom Panel
36. Caster
37. Locking Caster

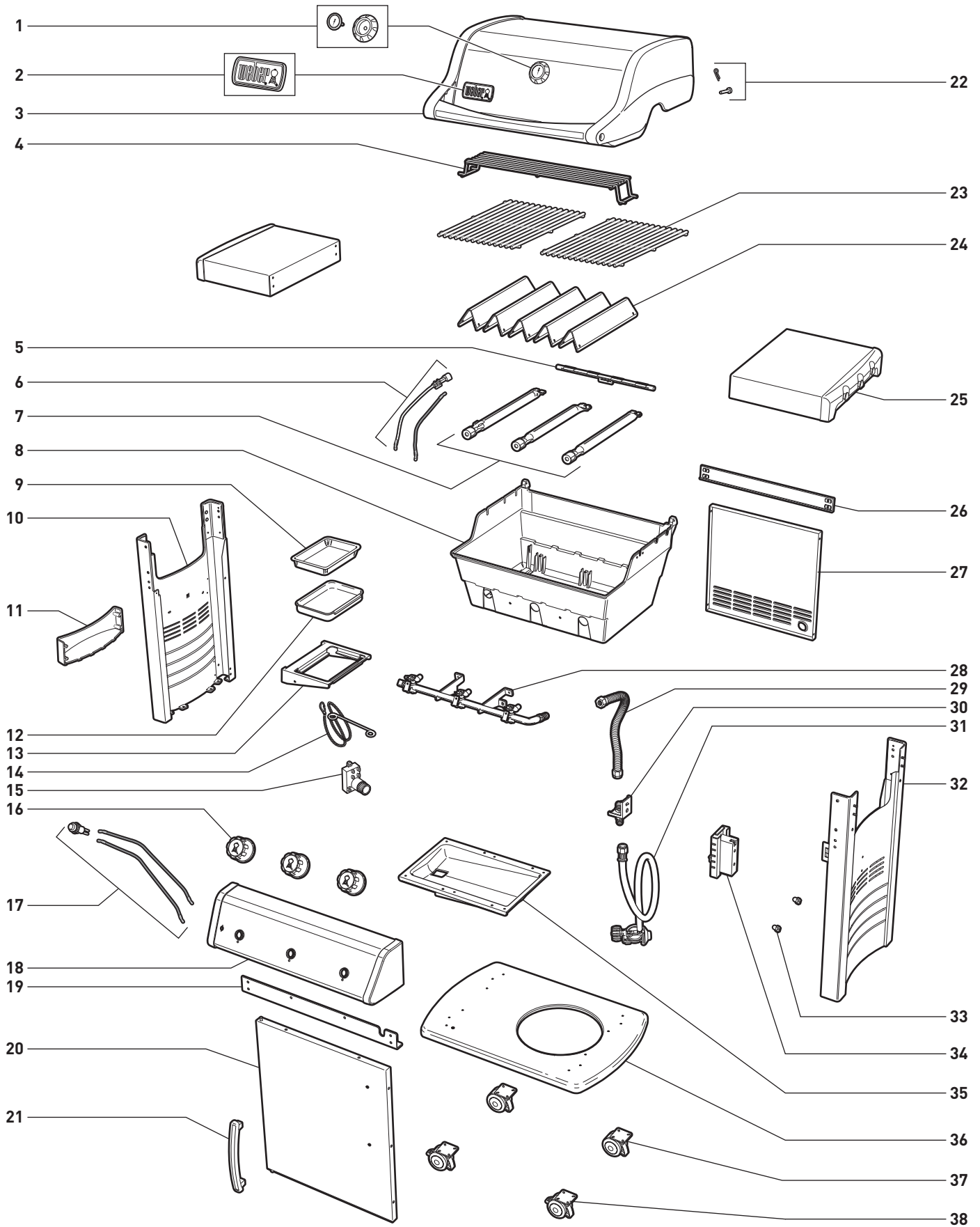
**SPIRIT™ E-310™ LP
LISTA DEL DIAGRAMA DE DESPIECE**

1. Termómetro y bisel
2. Placa del logotipo
3. Ensamblaje de la cubierta
4. Rejilla para calentar
5. Tubo del quemador Crossover®
6. Electrodo de encendido
7. Tubo del quemador
8. Caja de cocción
9. Bandeja de goteo desechable
10. Panel izquierdo del bastidor
11. Plato recolector
12. Soporte del plato recolector
13. Portacerillos
14. Módulo de encendido
15. Perilla de control
16. Botón de encendido
17. Tablero de control
18. Refuerzo transversal delantero
19. Puerta
20. Asa de la puerta
21. Accesorios de la cubierta
22. Parrilla de cocción
23. Barra Flavorizer®
24. Mesa lateral
25. Refuerzo transversal posterior
26. Panel posterior
27. Múltiple
28. Manguera del múltiple
29. Bloque de conexiones
30. Manguera y regulador
31. Panel derecho del bastidor
32. Deslizadora del tanque
33. Báscula del tanque
34. Bandeja deslizante de grasa
35. Panel inferior
36. Rueda giratoria
37. Rueda giratoria con bloqueo

**SPIRIT™ E-310™ LP
LISTE DE LA VUE ÉCLATÉE**

1. Thermomètre et bec
2. Plaque du logo
3. Assemblage du châssis
4. Grille de maintien au chaud
5. Tube du brûleur Crossover®
6. Électrode de l'allumeur
7. Tube du brûleur
8. Boîtier de cuisson
9. Égouttoir jetable
10. Panneau du cadre de gauche
11. Égouttoir
12. Support de l'égouttoir
13. Porte-allumette
14. Module de l'allumeur
15. Bouton de commande
16. Bouton de l'allumeur
17. Panneau de commande
18. Croisillon avant
19. Porte
20. Poignée de porte
21. Quincaillerie du châssis
22. Grille de cuisson
23. Barre Flavorizer®
24. Tablette latérale
25. Croisillon arrière
26. Panneau arrière
27. Collecteur
28. Tuyau du collecteur
29. Cloison
30. Tuyau & régulateur
31. Panneau du châssis droit
32. Glissière du réservoir de gaz
33. Échelle du réservoir de gaz
34. Plateau de récupération des graisses amovible
35. Panneau inférieur
36. Roulette
37. Roulette à verrouillage

Spirit™ SP-310™_LP_US_070114



**SPIRIT™ SP-310™ LP
EXPLODED VIEW LIST**

1. Thermometer and Bezel
2. Logo Plate
3. Shroud Assembly
4. Warming Rack
5. Crossover® Burner Tube
6. Igniter Electrode
7. Burner Tube
8. Cookbox
9. Disposable Drip Pan
10. Left Frame Panel
11. Condiment Basket
12. Catch Pan
13. Catch Pan Holder
14. Matchstick Holder
15. Igniter Module
16. Control Knob
17. Igniter Button
18. Control Panel
19. Front Cross Brace
20. Door
21. Door Handle
22. Shroud Hardware
23. Cooking Grate
24. Flavorizer® Bar
25. Side Table
26. Rear Cross Brace
27. Rear Panel
28. Manifold
29. Manifold Hose
30. Bulkhead
31. Hose & Regulator
32. Right Frame Panel
33. Tank Glide
34. Tank Scale
35. Slide-Out Grease Tray
36. Bottom Panel
37. Caster
38. Locking Caster

**SPIRIT™ SP-310™ LP
LISTA DEL DIAGRAMA DE DESPIECE**

1. Termómetro y bisel
2. Placa del logotipo
3. Ensamblaje de la cubierta
4. Rejilla para calentar
5. Tubo del quemador Crossover®
6. Electrodo de encendido
7. Tubo del quemador
8. Caja de cocción
9. Bandeja de goteo desechable
10. Panel izquierdo del bastidor
11. Cesta para los condimentos
12. Plato recolector
13. Soporte del plato recolector
14. Portacerillos
15. Módulo de encendido
16. Perilla de control
17. Botón de encendido
18. Tablero de control
19. Refuerzo transversal delantero
20. Puerta
21. Asa de la puerta
22. Accesorios de la cubierta
23. Parrilla de cocción
24. Barra Flavorizer®
25. Mesa lateral
26. Refuerzo transversal posterior
27. Panel posterior
28. Múltiple
29. Manguera del múltiple
30. Bloque de conexiones
31. Manguera y regulador
32. Panel derecho del bastidor
33. Deslizadora del tanque
34. Báscula del tanque
35. Bandeja deslizante de grasa
36. Panel inferior
37. Rueda giratoria
38. Rueda giratoria con bloqueo

**SPIRIT™ SP-310™ LP
LISTE DE LA VUE ÉCLATÉE**

1. Thermomètre et bec
2. Plaque du logo
3. Assemblage du châssis
4. Grille de maintien au chaud
5. Tube du brûleur Crossover®
6. Électrode de l'allumeur
7. Tube du brûleur
8. Boîtier de cuisson
9. Égouttoir jetable
10. Panneau du châssis gauche
11. panier à condiments
12. Égouttoir
13. Support pour égouttoir
14. Porte-allumette
15. Module de l'allumeur
16. Bouton de commande
17. Bouton de l'allumeur
18. Panneau de commande
19. Croisillon avant
20. Porte
21. Poignée de porte
22. Quincaillerie du châssis
23. Grille de cuisson
24. Barre Flavorizer®
25. Tablette latérale
26. Croisillon arrière
27. Panneau arrière
28. Collecteur
29. Tuyau du collecteur
30. Cloison
31. Tuyau & régulateur
32. Panneau du châssis droit
33. Glissière du réservoir de gaz
34. Échelle du réservoir de gaz
35. Plateau de récupération des graisses amovible
36. Panneau inférieur
37. Roulette
38. Roulette à verrouillage

IMPORTANT INFORMATION ABOUT LP GAS

WHAT IS LP GAS?

Liquefied petroleum gas, also called LP, LP gas, liquid propane, or simply propane or butane, is the flammable, petroleum-based product used to fuel your grill. It is a gas at moderate temperatures and pressure when it is not contained. But at moderate pressure inside a container, such as a tank, LP is a liquid. As pressure is released from the tank, the liquid readily vaporizes and becomes LP gas.

- LP has an odor similar to natural gas. You should be aware of this odor.
- LP is heavier than air. Leaking LP gas may collect in low areas and resist dispersion.

SAFE HANDLING TIPS FOR LIQUID PROPANE GAS TANKS

There are various guidelines and safety factors that you need to keep in mind when using LP gas. Carefully follow these instructions before using your Weber® gas grill.

- Always close the tank valve before disconnecting regulator.
- Do not use a damaged LP tank. A dented or rusty LP tank or an LP tank with a damaged valve may be hazardous and should be replaced with a new tank immediately.
- Handle "empty" LP tanks with the same care as you handle full tanks. Even when an LP tank is empty of liquid, there may still be gas pressure inside the tank.
- The LP tank must be installed, transported, and stored in an upright, secure position. LP tanks should not be dropped or handled roughly.
- Never store or transport the LP tank where temperatures can reach 125° F (51.7° C) (the tank will become too hot to hold by hand). For example: do not leave the LP tank in a car on a hot day.
- Leak test the fitting where the regulator connects to the LP tank each time a reconnection occurs. For example: test each time the LP tank is refilled and reinstalled.
- LP tanks must be kept out of reach of children.

STORAGE AND/OR NONUSE

For grills that have been stored or left unused for a while, it is important to follow these guidelines:

- The gas must be turned off at the LP tank when the Weber® gas grill is not in use.
- ⚠ **WARNING: Make sure that the LP tank valve is closed when the grill is not in use. Close by turning valve clockwise.**
- If storing the Weber® gas grill indoors, first DISCONNECT the gas supply and store the LP tank outdoors in a well-ventilated space.
- ⚠ **CAUTION: Place dust cap on tank valve outlet whenever the tank is not in use. Only install the type of dust cap on the tank valve outlet that is provided with the tank valve. Other types of caps or plugs may result in leakage of propane.**
- Do not store a disconnected LP tank in a building, garage, or any other enclosed area.
 - If you do not disconnect the LP tank from the Weber® gas grill, be sure to keep both the grill and the tank outdoors in a well-ventilated area.
 - The Weber® gas grill should be checked for gas leaks and any obstructions in the burner tubes before it is used. (Refer to "CHECKING FOR GAS LEAKS" and "ANNUAL MAINTENANCE.")
 - Check that the areas under the control panel and the slide-out grease tray are free from debris that might obstruct the flow of combustion or ventilation air.
 - The spider/insect screens should also be checked for any obstructions. (Refer to "ANNUAL MAINTENANCE.")

US INSTALLATION CODES

Installation must conform with local codes or, in the absence of local codes, with either the National Fuel Gas Code, ANSI Z223.1/NFPA 54, Natural Gas and Propane Installation Code, CSA B149.1; or Propane Storage and Handling Code, B149.2; or the Standard for Recreational Vehicles, ANSI A 119.2/NFPA 1192, and CSA Z240 RV Series, Recreational Vehicle Code, as applicable.

MEXICO INSTALLATION CODES

If there are local codes that apply to portable gas grills, you must comply with the latest edition of NOM.

CANADIAN INSTALLATION CODES

These instructions, while generally acceptable, do not necessarily comply with the Canadian installation codes, particularly with piping above and below ground. In Canada, the installation of this appliance must comply with local codes and/or the latest edition of Standard CAN/CSA-B149.2 (Propane Storage and Handling Code).

US LP TANK REQUIREMENTS

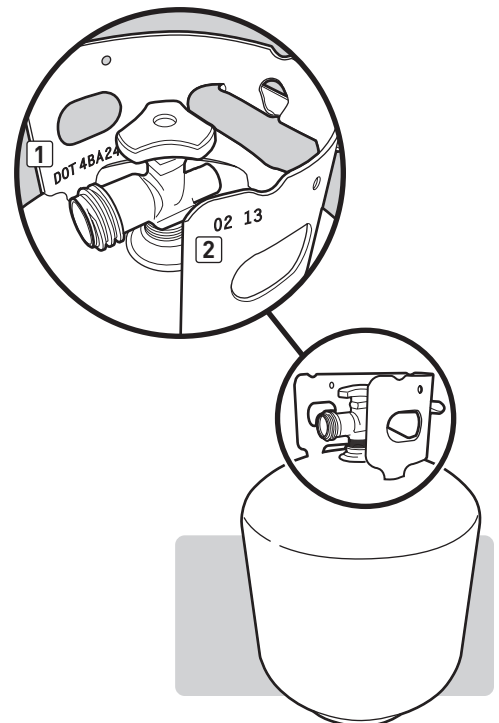
- Check to be sure that tanks have a D.O.T. certification (1), and that the testing date (2) is within five years of current use. Your LP gas supplier can do this for you.
- All LP tank supply systems must include a collar to protect the tank valve.
- The LP tank must be a 20-lb. size, approximately 18¼ inches high and 12¼ inches in diameter.
- The tank must be constructed and marked in accordance with Specifications for LP - Gas Cylinders (Tanks) of the U.S. Department of Transportation (D.O.T.) or the National Standard of Canada, CAN/CSA-B339, Cylinders (Tanks), Spheres and Tubes or Transportation of Dangerous Goods; and Commission, as applicable.

⚠ **WARNING: The LP tank used with your grill must have a listed OPD (Overfilling Prevention Device) and a Type 1 (CGA810) tank connection. The tank connection must be compatible with the grill connection.**

CANADIAN LP TANK REQUIREMENTS

- The LP tank must be constructed and marked in accordance with the specifications for LP gas tanks, T.C.

NOTE: Your retailer can help you match a replacement tank to your grill.



IMPORTANT INFORMATION ABOUT LP GAS CONNECTIONS

WHAT IS A REGULATOR?

Your Weber® gas grill is equipped with a pressure regulator, which is a device to control and maintain uniform gas pressure as gas is released from the LP tank.

REGULATOR CONNECTIONS

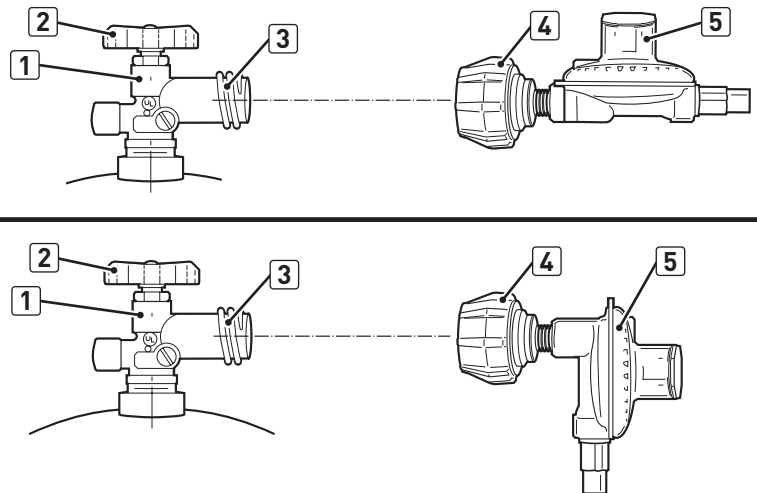
Each Weber® LP regulator is designed for vapor withdrawal and is equipped with a UL-listed Type 1 tank connection as described in the latest edition of ANSI Z21.58. THE LP TANK THAT YOU CONNECT TO THE REGULATOR MUST BE EQUIPPED WITH A COMPATIBLE TYPE 1 CONNECTION IN THE TANK VALVE. This Type 1 connection allows you to make a fast and safe hookup between your Weber® gas grill and the LP tank.

NOTE: Gas will not flow from the tank unless the Type 1 coupling is fully engaged.

- The pressure regulator supplied with the Weber® gas grill must be used. This regulator is set for 11 inches of water column pressure.
- Replacement pressure regulator and hose assemblies must be those specified by Weber-Stephen Products LLC.
- Be sure the regulator is mounted with the small vent hole pointed downward so that it will not collect water. This vent should be free of dirt, grease, bugs, etc.
- The gas connections supplied with your Weber® gas appliance have been designed and tested to meet 100% of CSA and ANSI requirements.

⚠ WARNING: Replacement LP tanks must match the regulator connection supplied with this Weber® gas appliance.

TYPE 1 CONNECTIVE COUPLING



1	Type 1 Valve	4	Thermally Sensitive Nut
2	Hand Wheel	5	Propane Regulator
3	External Thread		

LP TANK INSTALLATION AND REMOVAL

FUELING YOUR GRILL

Before using your grill for the first time, you need to obtain an LP tank. New tanks can be purchased full; empty tanks can be refilled or exchanged. You may choose to purchase a spare LP tank so that you don't run out of fuel in the middle of cooking a meal.

⚠ DANGER

NEVER store a spare LP tank under or near Weber® gas appliances. **NEVER** fill the tank beyond 80% full. Failure to follow these statements exactly may result in a fire causing death or serious injury.

INSTALLING THE LP TANK

LP tanks can vary based on the shape of the top collar assembly (the metal protective ring around the tank valve). Its shape determines how a tank will hang on the tank scale. One type of tank mounts with the valve facing forward (1). The other type mounts with the valve facing away from the fuel scale (2). To properly install your LP tank, first identify what type of tank you purchased. Weber recommends LP tanks with a 47.6 lb water capacity. Other tanks may be acceptable for use provided they are compatible with the appliance retention means (tank scale).

The LP tank is installed inside the base cabinet, on the tank scale (right side).

Prepare Grill for Tank Installation

- A) Check that all burner control knobs are in the off (O) position. Your grill was shipped with burner control knobs in the off (O) position, but you should check to be sure that they are turned off. Check by pushing in and turning knobs clockwise. If they do not turn, they are off. If they do turn, continue turning them clockwise until they stop; then they are off. If your grill has a side burner, make sure the side burner control knob is turned off.
- B) Open base cabinet door.

Install the LP Tank

- A) Loosen tank lock wing nut. Swing tank lock up (3).
- B) Turn the LP tank so the opening of the valve is either to the front or side of the Weber® gas grill.

⚠ WARNING: Make sure that the LP tank valve is closed. Close by turning valve clockwise.

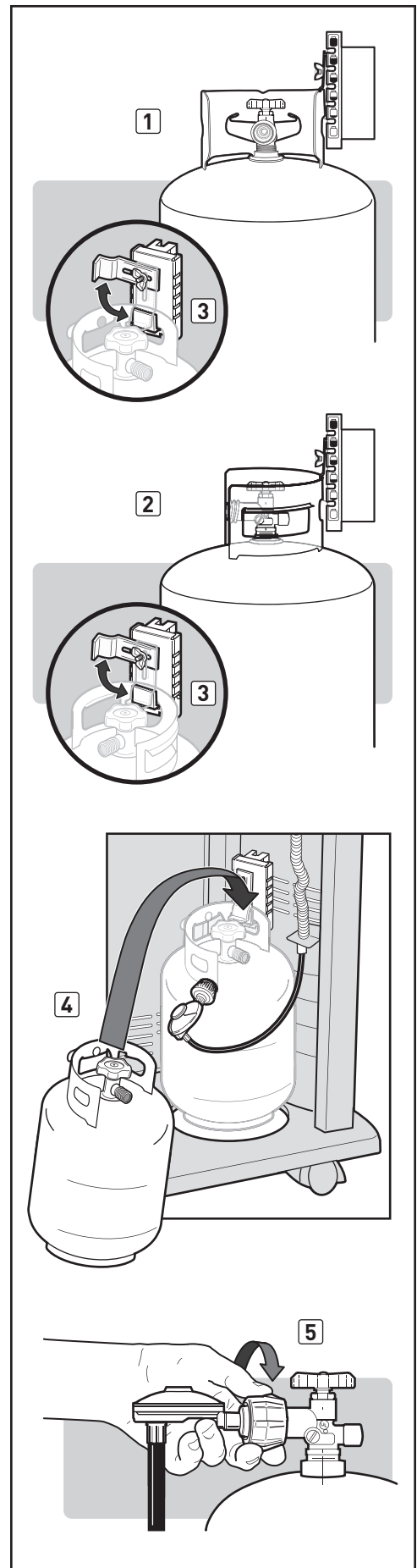
- C) Lift tank up into position on the tank scale (4).
- D) Swing the tank lock down. Tighten the wing nut.

Connect the Regulator / Hose to the Tank

- A) Remove the plastic dust cover from the tank valve.
- B) Screw the regulator coupling onto the tank valve, turning clockwise, or to the right (5). **Hand-tighten only.**

NOTE: This connection tightens clockwise and will not allow gas to flow unless the connection is tight.

⚠ WARNING: Do not use a wrench to tighten the connection. Using a wrench could damage the regulator coupling and could cause a leak.



LP TANK INSTALLATION AND REMOVAL

FUEL LEVEL

The tank scale, a feature on some of our grills, will indicate the propane supply so you can refill the tank before running out of fuel. Check the fuel level by viewing the orange level indicator line, located on the side of the tank scale. When the indicator line is at the bottom, the tank is empty **(1)**. When it is in the middle, the tank is half full **(2)**. When it is at the top, the tank is full **(3)**.

REMOVING THE LP TANK FOR REFILLING OR REPLACEMENT

A full LP tank will last about 18–20 hours of cooking time at normal use. You do not have to run out of fuel before you can refill the tank. In fact, we recommend that you refill the LP tank before it is completely empty.

Removal of the LP Tank

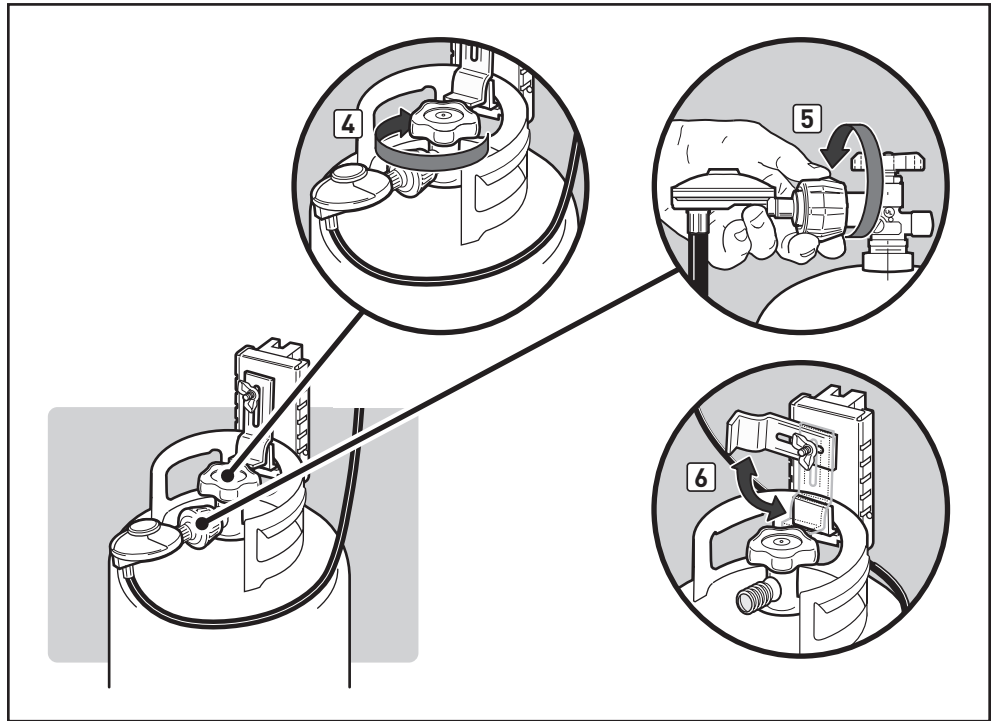
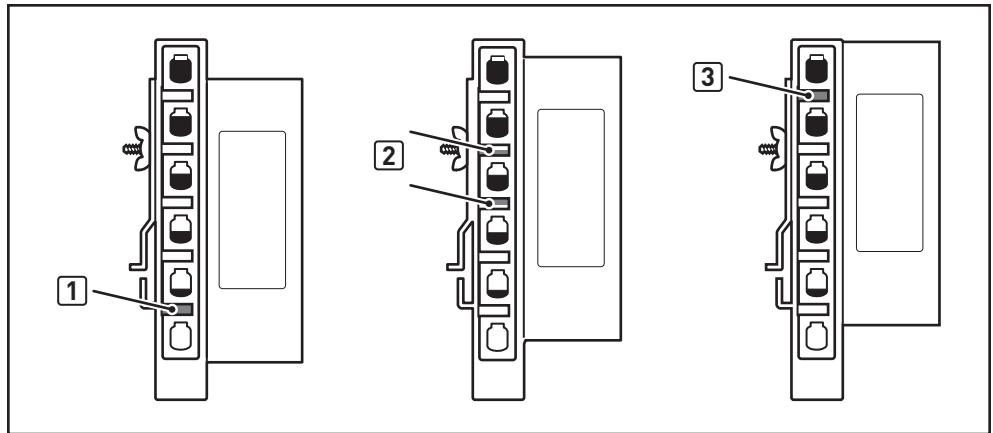
- A) Close tank valve (turn clockwise) **(4)**.
- B) Unscrew regulator coupling by turning counterclockwise, by hand only **(5)**.
- C) Loosen tank lock wing nut and turn tank lock up out of the way **(6)**.
- D) Lift tank off tank scale.

FILLING THE LP GAS TANK

Proper filling of your tank is done by weight or volume, as described in NFPA 58. Please make sure your filling station uses one of these two methods, and ask your filling station to read the purging and filling instructions on the LP tank before attempting to fill it.

⚠ WARNING: We recommend that your LP tank be filled at an authorized LP gas dealer, by a qualified attendant, who fills the tank by weight. IMPROPER FILLING IS DANGEROUS.

NOTE: Be certain tank is purged of trapped air prior to first filling. Your LP dealer is equipped to do this.



WHAT IS A LEAK CHECK?

The fuel system in your grill features connections and fittings. A leak check is a reliable way to make sure that no gas is escaping from any of the connections or fittings.

Although all factory-made connections have been thoroughly checked for gas leaks, it's important to perform a leak check before using your grill for the first time, as well as anytime you disconnect and reconnect a fitting and each time you perform routine maintenance.

PARTIAL DISASSEMBLY OF YOUR GRILL FOR A LEAK CHECK

In order to do the leak check, you need to have access to the gas valves, which will require some simple grill disassembly.

Confirm that Grill Is Off

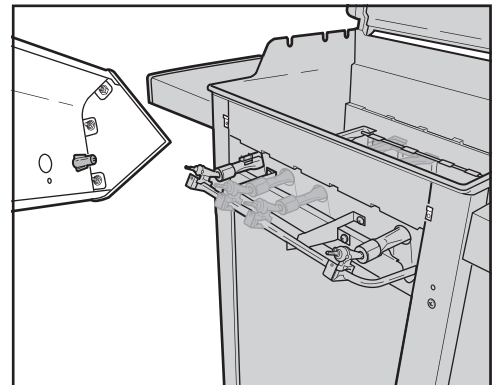
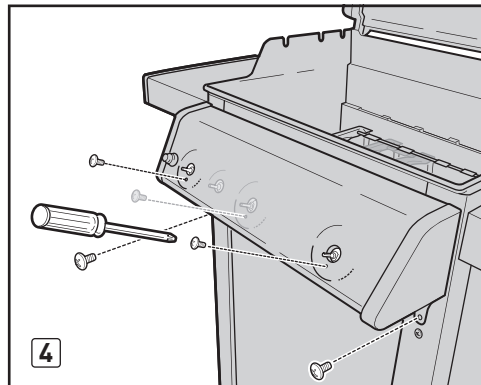
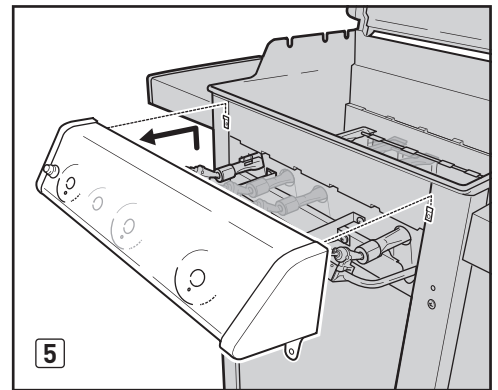
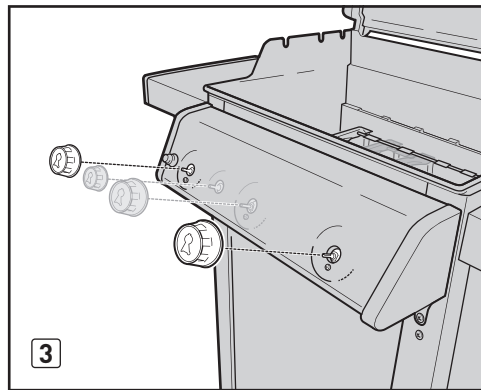
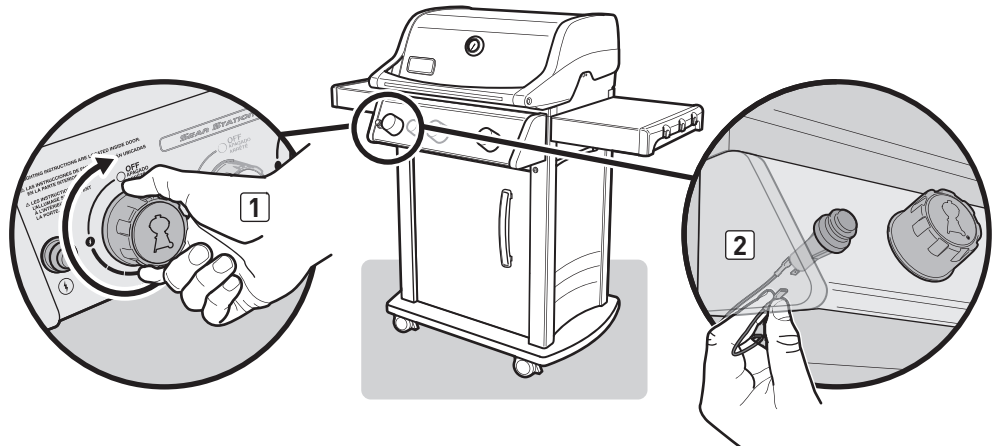
- A) Turn gas supply off at source.
- B) Check that **ALL** burner control knobs are in the off (O) position [1]. Control knobs are shipped in the off (O) position, but you should check to be sure that they are turned off. Check by pushing control knobs in and turning them clockwise. If they do not turn, they are off. If they do turn, continue turning them clockwise until they stop; then they are off. If your grill has a side burner, make sure the side burner control knob is turned off.

Remove Control Panel

You will need: A Phillips screwdriver.

- A) Disconnect the two wires from the igniter button located on the underside of the control panel [2].
NOTE: Pull from terminals at ends of wires.
- B) Remove control knobs [3].
- C) Remove the screws from the front of the control panel with a Phillips screwdriver [4].
- D) Carefully lift control panel up and then pull forward away from frame [5].

Your grill is now ready for a leak check. Proceed to "CHECKING FOR GAS LEAKS."



PREPARING TO USE YOUR GRILL

⚠ DANGER

Do not use an open flame to check for gas leaks. Be sure there are no sparks or open flames in the area while you check for leaks. Sparks or open flames will result in a fire or explosion, which can cause serious bodily injury or death and damage to property.

⚠ **WARNING:** The gas connections of your gas grill have been factory tested. We do, however, recommend that you leak check all gas connections before operating your gas grill.

⚠ **WARNING:** Perform these leak checks even if your grill was dealer or store assembled.

⚠ **WARNING:** You should check for gas leaks every time you disconnect and reconnect a gas fitting.

NOTE: All factory-made connections have been thoroughly checked for gas leaks and the burners have been flame-tested. As a safety precaution, however, you should check all fittings for leaks before using your Weber® gas grill. Shipping and handling may loosen or damage a gas fitting.

CHECKING FOR GAS LEAKS

You will need: A spray bottle or brush or rag and a soap and water solution. (You can make your own soap and water solution by mixing 20% liquid soap with 80% water; or, you can purchase leak check solution in the plumbing section of any hardware store.)

A) Turn gas supply on at source (1).

⚠ **WARNING:** Do not ignite burners when leak checking.

B) To check for leaks, wet fittings with the soap and water solution, using a spray bottle, brush or rag. If bubbles form, or if a bubble grows, there is a leak. Apply the soap and water solution to the following connections:

- a) Regulator hose-to-bulkhead connection (2).
- b) Corrugated manifold hose-to-bulkhead connection (3).
- c) Corrugated manifold hose-to-manifold connection (4).

⚠ **WARNING:** If there is a leak at connections (2, 3 or 4), turn off the gas, tighten the fitting with a wrench, and recheck for leaks with soap and water solution. If a leak persists after tightening the fitting, turn off the gas. **DO NOT OPERATE THE GRILL. Contact the Customer Service Representative in your area using the contact information on our web site.**

Log onto www.weber.com.

- d) Regulator-to-tank connection (5).
- e) Regulator hose-to-regulator connection (6).
- f) Valves-to-manifold connections (7).

⚠ **WARNING:** If there is a leak at connections (5, 6, or 7), turn off the gas. **DO NOT OPERATE THE GRILL. Contact the Customer Service Representative in your area using the contact information on our web site.**

Log onto www.weber.com.

C) When leak checking is complete, turn gas supply off at the source and rinse connections with water.

NOTE: Since some leak test solutions, including soap and water, may be slightly corrosive, all connections should be rinsed with water after checking for leaks.

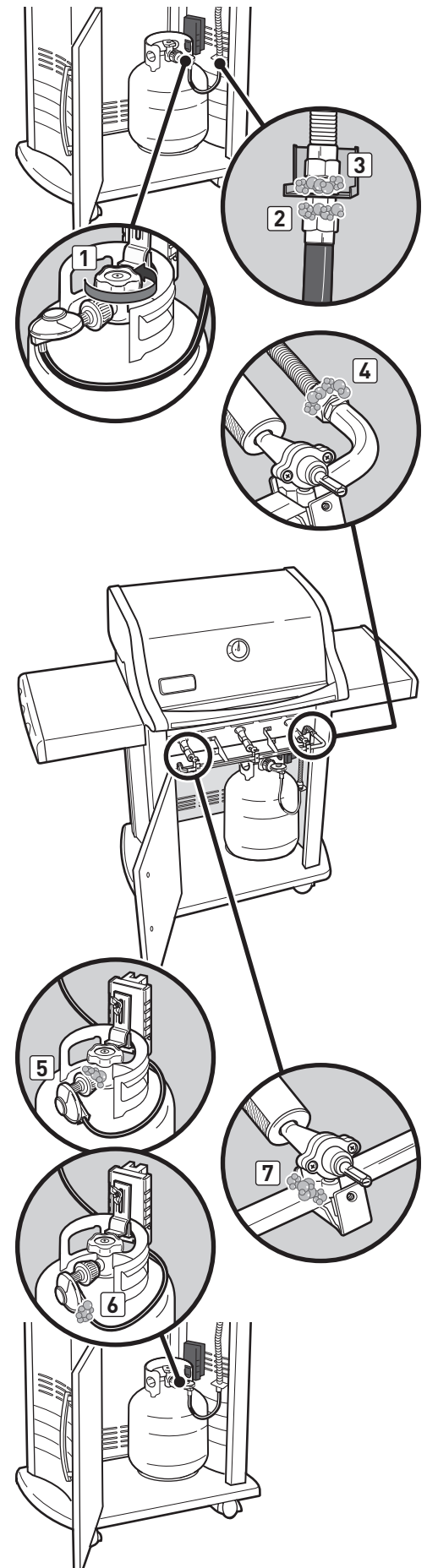
Reinstall Control Panel

You will need: A Phillips screwdriver.

- A) Align valve stems with holes in control panel. Position top edge of control panel on tabs of frame assembly. Push control panel down into position.
- B) Fasten control panel with screws.
- C) Place control knobs onto valve stems.
- D) Connect the wires to the igniter button.

⚠ **WARNING:** Make sure that all parts are assembled and hardware is fully tightened before operating the grill. Your actions, if you fail to follow this product warning, may cause a fire, an explosion, or structural failure resulting in serious personal injury or death as well as damage to property.

Now you are ready to use your grill.



TIPS & HINTS

- Always preheat the grill before cooking. Set all burners on high heat and close lid; preheat for 10 to 15 minutes, or until thermometer registers 500° – 550°F (260° – 290°C).
- The temperature of your gas grill may run hotter than normal for the first few uses.
- Recipe grilling times are based on outside temperatures of 70°F (21°C) and little or no wind. Allow for more cooking time on cold or windy days, or at higher altitudes. Allow for less cooking time in extremely hot weather.
- Grilling conditions may require adjustment of the burner controls to attain the correct cooking temperatures.
- Sear meats and cook with the lid down for perfectly grilled food every time.
- Crowding food onto a cooking grate means more time will be required to cook the food.
- Trim excess fat from steaks, chops, and roasts, leaving no more than a scant ¼ inch (6.4 mm) of fat. Less fat makes cleanup easier, and is a virtual guarantee against unwanted flare-ups.
- In general, large pieces of meat will require more cooking time per pound (kilo) than small pieces of meat.
- Some foods, such as a casserole or thin fish fillets, will require a container for grilling. Disposable foil pans are very convenient, but any metal pan with ovenproof handles can also be used.
- Foods in containers, such as baked beans, will require more time if grilled in a deep casserole than in a shallow baking pan.
- Foods placed on the cooking grate directly above burners may require turning or moving to a less hot area.
- Use tongs rather than a fork for turning and handling meats to avoid losing natural juices. Use two spatulas for handling large whole fish.
- Always be sure the slide-out grease tray and catch pan are clean and free from debris.
- Do not line the slide-out grease tray with foil. This could prevent the grease from flowing into the catch pan.
- If an unwanted flare-up should occur, turn all burners off and move food to another area of the cooking grate. Any flames will quickly subside. After flames subside, relight the grill. **NEVER USE WATER TO EXTINGUISH FLAMES ON A GAS GRILL.**
- Using a timer will help to alert you when “well done” is about to become “overdone.”

PREHEATING

Preheating the grill before grilling is important. To preheat: Light your grill according to the instructions in the Owner's Guide; then turn all burners to start/high (H) position, close the lid, and preheat until the temperature reaches between 500° and 550°F (260° and 290°C), the recommended broiling temperature. This will take 10 to 15 minutes depending on conditions such as air temperature and wind. After preheating, you can adjust the individual burners as desired.

⚠ WARNING: Should the burners go out while grill is in operation, turn all gas valves off. Open the lid and wait five minutes before attempting to relight grill, using the igniting instructions.

COVERED COOKING

All grilling is done with the lid down to provide uniform, evenly circulated heat. With the lid closed, the gas grill cooks much like a convection oven. The thermometer in the lid indicates the cooking temperature inside the grill. All preheating and grilling is done with the lid down. No peeking — heat is lost every time you lift the lid.

FLAVORIZER® SYSTEM

The closed lid and Flavorizer® bars produce that “outdoor” flavor in the food. When meat juices drip from the food onto the specially angled Flavorizer® bars, they create smoke that gives foods an irresistible grilled flavor. Thanks to the unique design of the burners, the Flavorizer® bars, and the flexible temperature controls, uncontrolled flare-ups are virtually eliminated, because YOU control the flames.

DRIPPINGS AND GREASE

Because of the special design of the Flavorizer® bars and burners, excess fats are directed down the slide-out grease tray and into the catch pan. Disposable drip pans that fit the catch pan are available.

For more grilling tips and recipes, visit www.weber.com.

SAFETY CHECKS BEFORE USING YOUR GRILL

SAFETY FIRST

It's a good idea to get in the habit of performing a few safety checks before grilling.

Safety must be considered when you are deciding where to place and operate your grill. Be sure to read the following warnings before installing or using your grill.

WARNINGS:

- ⚠ Only use this grill outdoors in a well-ventilated area. Do not use in a garage, building, breezeway or any other enclosed area.
- ⚠ Your Weber® gas grill shall not be used beneath overhead combustible construction.
- ⚠ Your Weber® gas grill is not intended to be installed in or on recreational vehicles and/or boats.
- ⚠ Do not use the grill within 24 inches (61 cm) of combustible materials. This includes the top, bottom, back or sides of the grill.
- ⚠ Keep the cooking area clear of flammable vapors and liquids such as gasoline, alcohol, etc., and combustible materials.
- ⚠ The entire cookbox gets hot when in use. Do not touch.
- ⚠ Do not move the Weber® gas grill when operating or while grill is hot.
- ⚠ Keep ventilation openings for tank enclosure free and clear from debris.

When you are getting ready to grill, your first thought should always be safety. Following are a few safety checks that you should perform each time you grill.

SLIDE-OUT GREASE TRAY

Your grill was built with a grease collection system, which funnels grease away from food and into removable containers.

Check the slide-out grease tray for grease build-up each time you use your grill. Remove excess grease with a plastic scraper (1). Wash the grease tray with a soap and water solution and rinse with water.

⚠ **CAUTION:** Do not line the slide-out grease tray with aluminum foil.

CATCH PAN AND DISPOSABLE DRIP PAN

Grease from the slide-out grease tray funnels into a catch pan. Cleaning the catch pan is just as important as cleaning the slide-out grease tray.

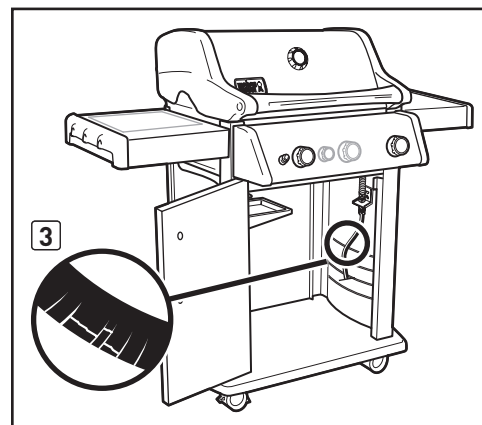
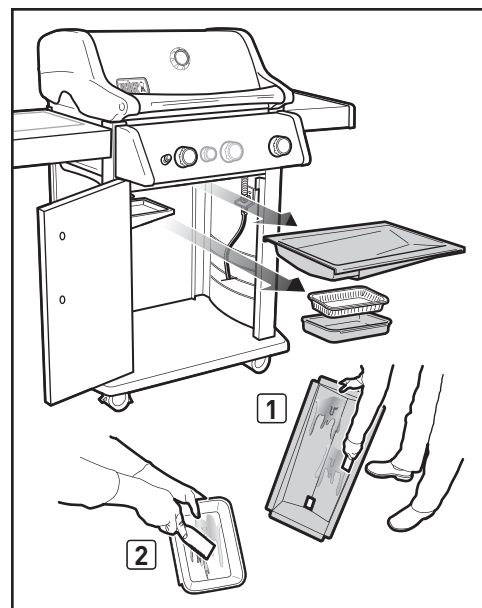
Check the catch pan for grease build-up each time you use your grill. Remove excess grease with a plastic scraper (2). Wash the catch pan with warm, soapy water and rinse with water. To keep the catch pan cleaner longer, you can line the catch pan with a Weber® disposable drip pan or with aluminum foil.

⚠ **WARNING:** Check the slide-out grease tray and catch pan for grease build-up before each use. Remove excess grease to avoid a grease fire. A grease fire can cause serious bodily injury or damage to property.

HOSE INSPECTION

The hose should be inspected routinely for any signs of cracking (3).

⚠ **WARNING:** Check hose before each use of grill for nicks, cracking, abrasions or cuts. If the hose is found to be damaged in any way, do not use the grill. Replace using only Weber® authorized replacement hose. Contact the Customer Service Representative in your area using the contact information on our web site. Log onto www.weber.com.



METHODS OF BURNER IGNITION

There are two ways to ignite burner 1. The first is by using the electronic Crossover™ ignition system built into your grill. The second is with a match.

Next are the steps for igniting your grill using the electronic Crossover™ ignition system. On the following page are steps for igniting your grill with a match.

Summary lighting instructions are inside the cabinet door.

MAIN BURNER IGNITION

Lighting with the Electronic Crossover® Ignition System

The electronic Crossover® ignition system ignites burner 1 with a spark from the igniter electrode inside the Gas Catcher™ ignition chamber. You generate the energy for the spark by pushing the igniter button. You will hear the igniter clicking. Burner(s) 2 (and 3) can be lit after burner 1 is lit.

A) Open the grill lid (1).

⚠ DANGER

Failure to open the lid before igniting the grill's burners, or not waiting five minutes to allow the gas to clear if the grill does not light, may result in an explosive flare-up which can cause serious bodily injury or death.

B) Make sure **ALL** burner control knobs are turned off (2). Check by pushing control knobs in and turning them clockwise until they stop.

⚠ **WARNING:** The burner control knobs must be in the off (○) position before you turn on the LP tank valve. If they are not in the off (○) position when you turn on the LP tank valve, the “excess gas flow control” feature will activate, limiting the flow of gas from the LP tank. If this should occur, turn off the LP tank valve and burner control knobs. Start over.

⚠ DANGER

When the “excess gas flow control” feature is activated, a small amount of gas is still flowing to the burners. After turning off the LP tank valve and burner control knobs, wait at least five minutes for the gas to clear before attempting to light the grill. Failure to do so may result in an explosive flare-up, which can cause serious bodily injury or death.

C) Turn the LP tank on by slowly turning the tank valve counterclockwise; wait 60 seconds (3).

D) Push burner 1 control knob in and turn it counterclockwise to start/high (⚡) position (4). **IMPORTANT:** Always ignite burner 1 first. The other burner(s) ignite from burner 1.

E) Push and hold in the igniter button (5). You will hear the igniter clicking.

F) Check that burner 1 is lit by looking through the cooking grates. You should see a flame.

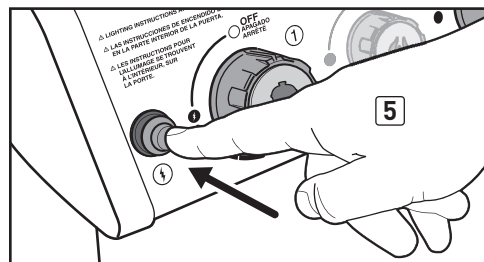
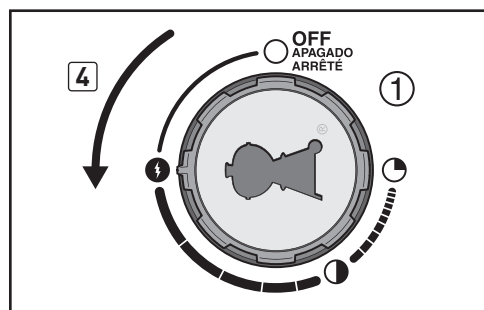
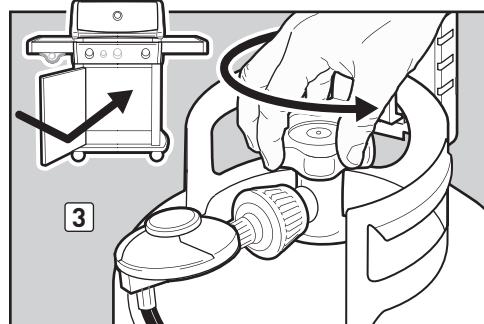
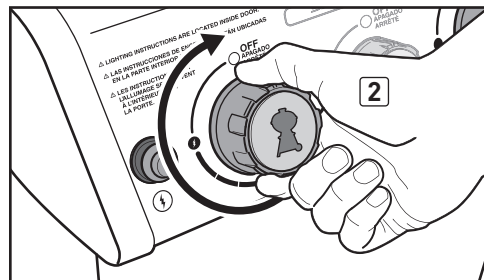
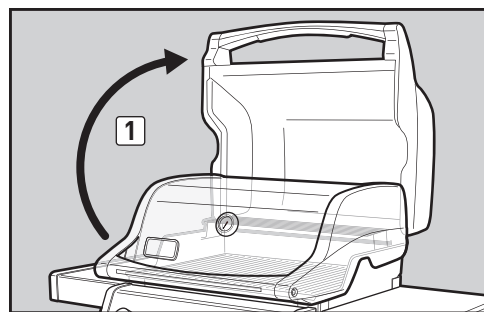
⚠ **WARNING:** While igniting the grill or cooking, never lean over open grill.

⚠ **WARNING:** If burner 1 fails to ignite within five seconds, stop, turn the burner control knob to off and wait five minutes to allow the gas to clear before you try again or light with a match.

G) After burner 1 is lit, you can turn on burner 2 (and burner 3).

TO EXTINGUISH BURNER

Push each burner control knob in and turn it clockwise to the off (○) position. Turn gas supply off at the source.



Some batteries have a plastic protective wrap around them. This plastic must be removed before you attempt to ignite your grill. Do not confuse this plastic with the battery label.

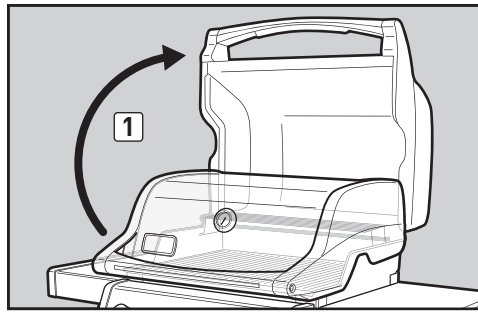
MAIN BURNER IGNITION & USAGE

Lighting with a Match

A) Open the grill lid (1).

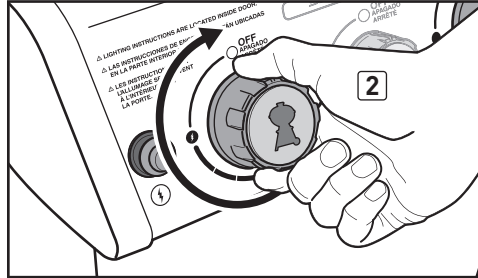
⚠ DANGER

Failure to open the lid before igniting the grill's burners, or not waiting five minutes to allow the gas to clear if the grill does not light, may result in an explosive flare-up which can cause serious bodily injury or death.



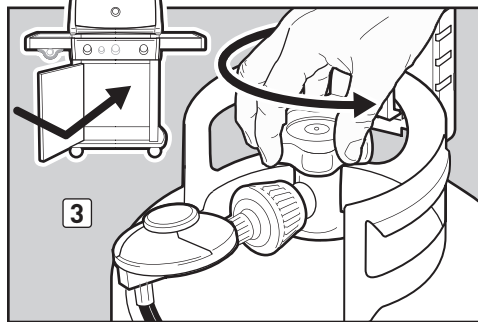
B) Make sure ALL burner control knobs are turned off (2). Check by pushing control knobs in and turning them clockwise until they stop.

⚠ WARNING: The burner control knobs must be in the off (O) position before you turn on the LP tank valve. If they are not in the off (O) position when you turn on the LP tank valve, the "excess gas flow control" feature will activate, limiting the flow of gas from the LP tank. If this should occur, turn off the LP tank valve and burner control knobs. Start over.



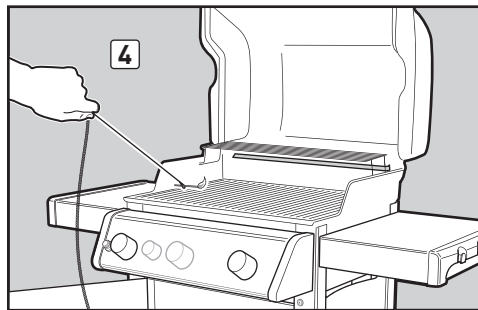
⚠ DANGER

When the "excess gas flow control" feature is activated, a small amount of gas is still flowing to the burners. After turning off the LP tank valve and burner control knobs, wait at least five minutes for the gas to clear before attempting to light the grill. Failure to do so may result in an explosive flare-up, which can cause serious bodily injury or death.



C) Turn the LP tank on by slowly turning the tank valve counterclockwise; wait 60 seconds (3).

D) Put match in the matchstick holder and strike match. Insert matchstick holder with lit match down through the cooking grates, past the Flavorizer® bars and next to burner 1 (4).



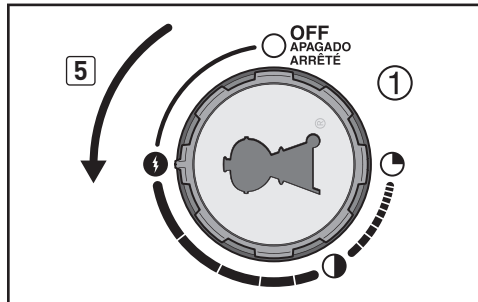
E) Push burner 1 control knob in and turn it counterclockwise to start/high (⚡) position (5). **IMPORTANT:** Always ignite burner 1 first. The other burner(s) ignite from burner 1.

F) Check that burner 1 is lit by looking through the cooking grates. You should see a flame.

⚠ WARNING: While igniting the grill or cooking, never lean over open grill.

⚠ WARNING: If burner 1 fails to ignite within five seconds, stop, turn the burner control knob to off and wait five minutes to allow the gas to clear before you try again.

G) After burner 1 is lit, you can turn on burner 2 (and burner 3).



TO EXTINGUISH BURNER

Push each burner control knob in and turn it clockwise to the off (O) position. Turn gas supply off at the source.

TROUBLESHOOTING

GENERAL TROUBLESHOOTING

PROBLEMS	SOLUTIONS
<p>Burners do not ignite.</p> <p>Burners have a small flickering flame when burner control knobs are in the high (H) position.</p> <p>Grill temperature only reaches 250° to 300° F in the high (H) position.</p>	<p>The “excess gas flow control” feature, which is part of the grill-to-tank connection, may have been activated. To reset the “excess gas flow control” feature, refer to “MAIN BURNER IGNITION.”</p> <p>⚠ DANGER: When the “excess gas flow control” feature is activated, a small amount of gas is still flowing to the burners. After turning off the LP tank valve and burner control knobs, wait at least five minutes for the gas to clear before attempting to light the grill. Failure to do so may result in an explosive flare-up, which can cause serious bodily injury or death.</p>
<p>Burner does not ignite when you push the igniter button.</p>	<p>Be sure that there is gas flow to the burners by attempting to match light your burners. Refer to “MAIN BURNER IGNITION—Lighting with a Match.” If match lighting is successful, the problem lies in the ignition system. Refer to “MAINTAINING THE ELECTRONIC CROSSOVER” IGNITION SYSTEM.”</p> <p>Be sure that wires are correctly inserted into terminals on igniter module. Check that the wires are connected to terminals on igniter button under the control panel. Refer to “IGNITER MODULE WIRE CHART.”</p> <p>If a new battery is installed, confirm that battery’s plastic wrapping has been removed. Verify that the battery is in good condition and has been installed correctly. Refer to “MAINTAINING THE ELECTRONIC CROSSOVER® IGNITION SYSTEM.”</p>
<p>Burner does not ignite, or flame is low in high (H) position.</p>	<p>LP fuel could be low or empty. Refill LP tank.</p> <p>Fuel hose could be bent or kinked. Straighten fuel hose.</p>
<p>Burner flame pattern is erratic.</p> <p>Flame is low when burner is on high (H) position.</p> <p>Flames do not run the whole length of the burner tube.</p>	<p>Clean burner ports that run down the entire length of burner tube. Refer to “CLEANING THE BURNER TUBE PORTS.”</p>
<p>Burners burn with a yellow or orange flame, in conjunction with the smell of gas.</p>	<p>Inspect spider/insect screens for possible obstructions. Clean spider/insect screens. Refer to “CLEANING THE SPIDER/INSECT SCREENS.”</p>
<p>Experiencing flare-ups.</p> <p>⚠ CAUTION: Do not line the slide-out grease tray with aluminum foil.</p>	<p>Grill must be preheated with all burners on high for 10 to 15 minutes. Refer to “PREHEATING THE GRILL.”</p> <p>Clean the cooking grates, Flavorizer™ bars and cookbox thoroughly to remove grease. Refer to “CLEANING FOR PERFORMANCE.”</p> <p>The slide-out grease tray may be dirty and is not allowing grease to flow into catch pan. Clean slide-out grease tray. Refer to “CLEANING THE GREASE MANAGEMENT SYSTEM.”</p>
<p>Inside of lid appears to be “peeling.” (Resembles paint peeling.)</p>	<p>The inside of the lid is porcelain enamel or stainless steel. It is not painted. It cannot “peel.” What you are seeing is baked-on grease that has turned to carbon and is flaking off. THIS IS NOT A DEFECT. Clean thoroughly. Refer to “CLEANING THE LID.”</p>

If problems cannot be corrected by using these methods, please contact the Customer Service Representative in your area using the contact information on our web site. Log onto www.weber.com.

MEAL-TO-MEAL MAINTENANCE

Cleaning your gas grill each time you grill out is an essential step that will keep your grill in top performance for years to come. Here we will guide you through the step-by-step instructions for cleaning your grill before each meal to ensure your food comes out perfect each time. For a deeper clean, refer to the annual maintenance section.

The Meal-To-Meal Maintenance plan includes the following three simple, yet important steps that should be followed prior to every time you grill.

MAINTAINING THE GREASE MANAGEMENT SYSTEM

The first step in our Meal-To-Meal Maintenance plan is to inspect the grease management system. Your grill was built with a grease management system which consists of an angled slide-out grease tray and catch pan. Grease is channeled down the slide-out grease tray and into the catch pan.

You will need: A plastic scraper.

- A) Confirm that grill is off and cool.
- B) Remove the slide-out grease tray by easily pulling the tray out of the cabinet. Remove excess grease with a plastic scraper (1).

⚠ CAUTION: Do not line the slide-out grease tray with aluminum foil.

- C) Remove the catch pan. Lift the disposable drip pan out of the catch pan (2). Check for excessive amount of grease. Discard disposable drip pan when necessary and replace with a new one.

⚠ WARNING: Check the slide-out grease tray and catch pan for grease build-up before each use. Remove excess grease to avoid a grease fire. A grease fire can cause serious bodily injury or damage to property.

PREHEATING THE GRILL

Preheating your grill is the second step. The heat burns off or loosens the bits and pieces of the previous meal.

- A) Open the grill lid (3).
- B) Light your grill according to the ignition instructions in this guide or on the inside door or side table of your gas grill.
- C) Close lid.
- D) Turn all burners to start/high for 10 to 15 minutes or until thermometer registers 500° - 550°F (260° - 290°C) to preheat the grill (4).
- E) Once grill is preheated, continue with cleaning the cooking grate as described next.

⚠ WARNING: Use heat-resistant barbecue mitts or gloves when operating grill.

CLEANING THE COOKING GRATE

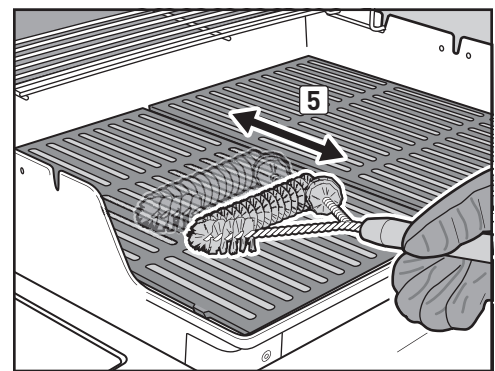
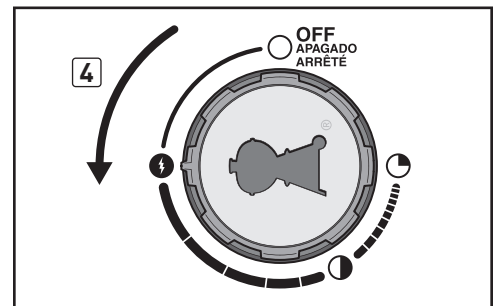
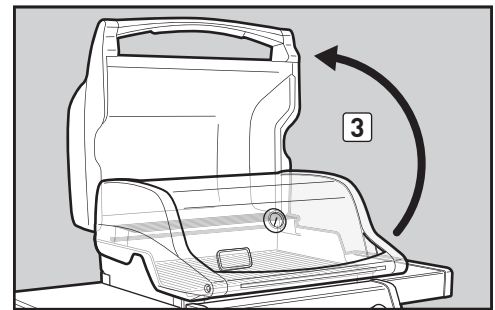
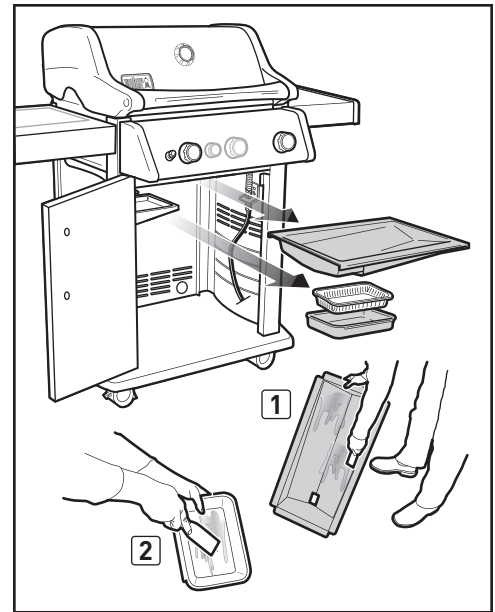
Finally, the last step is to brush the debris off the hot cooking grate(s).

You will need: A stainless steel bristle grill brush.

- A) Immediately after preheating, brush the grates with a stainless steel bristle grill brush (5). This step is not only for cleanliness. It also prevents food from sticking.

⚠ CAUTION: Grill brushes should be checked for loose bristles and excessive wear on a regular basis. Replace brush if any loose bristles are found on cooking grates or brush. Weber recommends purchasing a new stainless steel bristle grill brush at the beginning of every spring.

If you notice that your grill has hot or cold spots, or the flames are not burning blue, you will need to perform a more thorough cleaning of the burner tubes. Refer to "CLEANING FOR SAFETY" section for more details.



CLEANING THE BURNER TUBES

Over time, with repeated use, your grill may show symptoms that it needs a more thorough cleaning. Some of these symptoms are:

- Grill does not reach desired temperature
- Grill heats unevenly
- One or more of burners fail to ignite
- Smell of gas and improper flame pattern

These symptoms arise because the burner tubes need extra care. It is essential to clean the burner tubes to keep your grill performing as safely and efficiently as on day one.

⚠ DANGER

Failure to correct any problems described on this page may result in a fire, which can cause serious bodily injury or death, and cause damage to property.

Two areas on the burner tubes that are key to optimum performance are the ports (small openings running along the length of the burner tubes) and the spider/insect screens on the ends of the burner tubes. Keeping these areas clean is essential for safe operation.

The burner tubes in your Weber grill were factory set for the correct air and gas mixture. When the burner tubes are performing correctly, you will see a specific flame pattern. The tips may occasionally flicker yellow (1), with a descending light blue (2) to dark blue flame (3). If the flames do not match the above flame pattern description, it could be an indication that the burner ports and/or spider/insect screens need cleaning.

Below is important information about the maintenance of these two key components of the burner tubes.

CLEAN THE BURNER TUBE PORTS

Over time, from repeated use of the grill, the burner tube ports (4) may become dirty and blocked. Blocked and dirty ports can restrict full gas flow. This obstruction could result in a fire (5) in and around the gas valves, causing serious damage to your grill.

Common symptoms of blocked or dirty ports may include:

- Grill does not reach desired temperature
- Grill heats unevenly
- One or more of the burners fail to ignite
- Gas is smelled in conjunction with some or all of the ports not lighting.

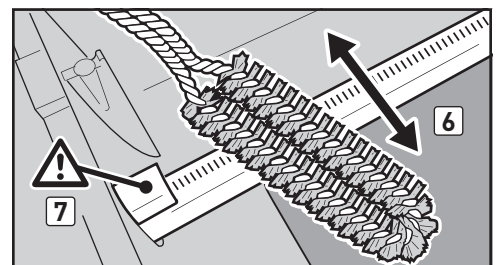
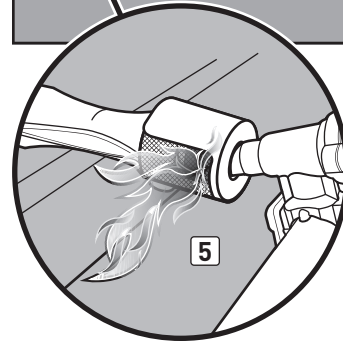
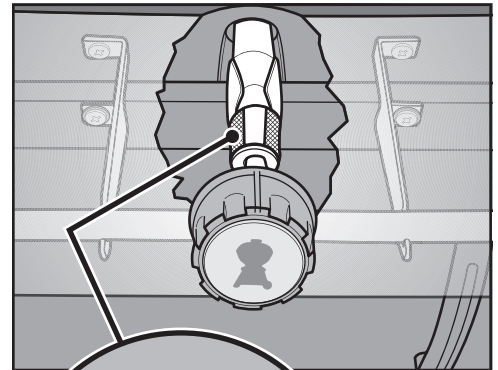
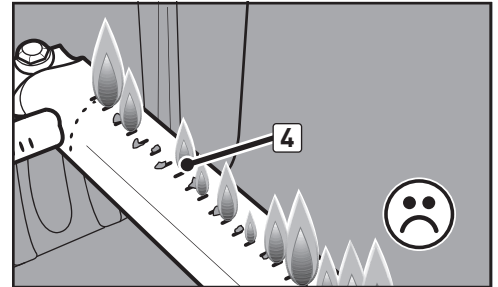
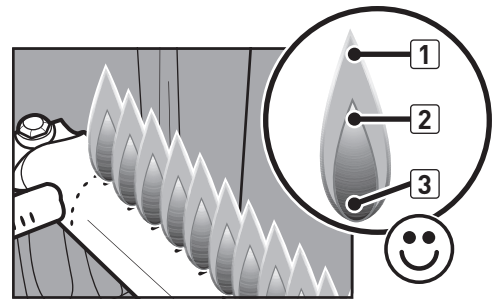
Note: The above symptoms can also be a sign that the "excess gas flow control" feature has activated. Refer back to "MAIN BURNER IGNITION" to reset the excess flow safety device.

You will need: A clean stainless steel bristle grill brush. Do not use a brush that has already been used to clean the cooking grates.

- Confirm that grill is off and cool.
- Remove cooking grates and Flavorizer™ bars.
- Use the brush to clean the outside of the burner tubes and the Crossover™ tube(s) (6). Do not brush lengthwise along the tube, as this will only push debris from one hole to another. Note that the burner tubes will move slightly, as if they are loose, this is normal.
- When cleaning burner tube 1, avoid damaging the igniter electrode by carefully brushing around it (7).

⚠ CAUTION: Do not enlarge the burner tube ports and do not use sharp objects to clear the ports individually.

- Continue onto cleaning the spider/insect screens.



CLEANING FOR SAFETY

CLEAN THE SPIDER/INSECT SCREENS

The combustion air openings of the burner tubes (1) are fitted with stainless steel screens to help prevent spiders and other insects from spinning webs and building nests inside the venturi (tapered) section (2) of the burner tubes. These nests can obstruct the normal gas flow, and can cause gas to flow back out of the combustion air openings (3). This obstruction could result in a fire (4) in and around the gas valves, causing serious damage to your grill. Additionally, dust and debris can accumulate on the outside of the spider/insect screen and obstruct the oxygen flow to the burner tube.

Symptoms of spider/insect screen obstruction include:

- Gas is smelled in conjunction with burner flames that appear yellow and lazy

You will need: A Phillips screwdriver, soft bristle brush (toothbrush).

- Disconnect the two wires from the igniter button located on the underside of the control panel (5).
NOTE: Pull from terminals at ends of wires.
- Remove control knobs (6).
- Remove the screws from the front of the control panel with a Phillips screwdriver (7).
- Carefully lift control panel up and then pull forward away from frame (8).
- Check the spider/insect screens at the ends of the burner tubes and clean them using the soft bristle brush (9).

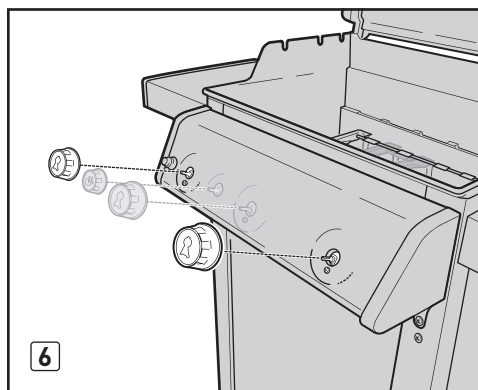
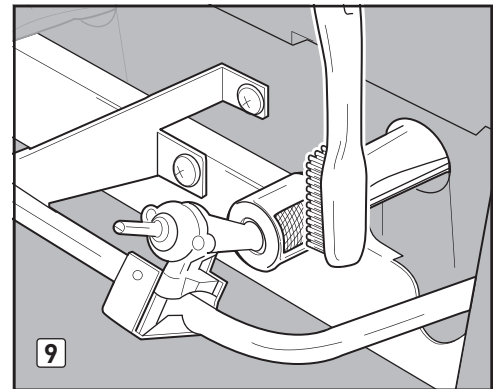
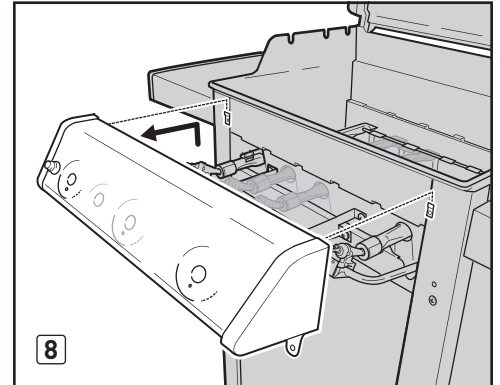
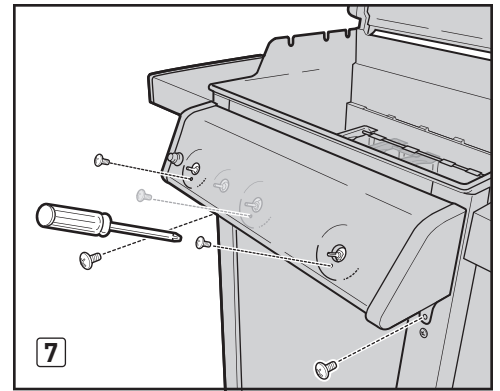
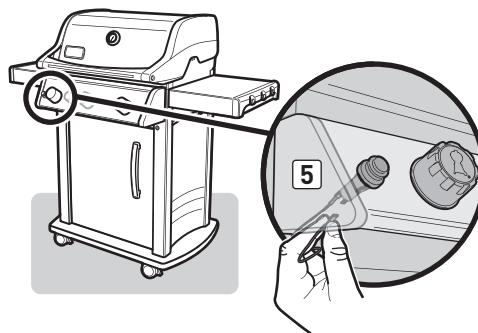
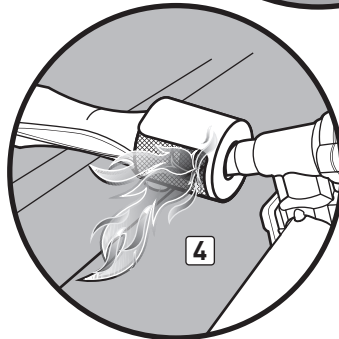
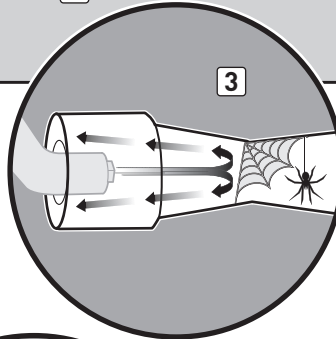
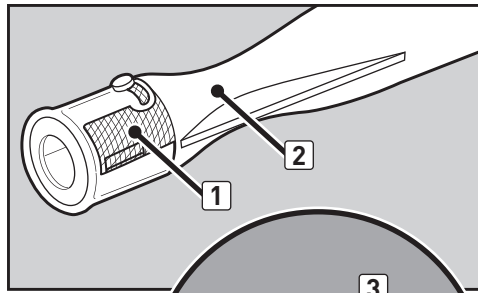
⚠ CAUTION: Do not clean the spider/insect screens with hard or sharp tools. Do not dislodge the spider/insect screens or enlarge the screen openings.

- Reinstall control panel by aligning valve stems with holes in control panel. Position top edge of control panel on tabs of frame assembly. Push control panel down into position.
- Fasten control panel with screws.
- Place control knobs onto valve stems.
- Connect the wires to the igniter button.

⚠ WARNING: Make sure that all parts are assembled and hardware is fully tightened before operating the grill. Your actions, if you fail to follow this product warning, may cause a fire, an explosion, or structural failure resulting in serious personal injury or death as well as damage to property.

CALL CUSTOMER SERVICE

If you are still experiencing any symptoms after cleaning the burner ports and spider screens, contact the Customer Service Representative in your area using the contact information on our web site. Log onto www.weber.com.



PREVENTATIVE MAINTENANCE

Over time the performance of your grill can diminish if has not been maintained properly. Low temperatures, uneven heat, and food sticking to cooking grates are all possible side effects of poor grill cleaning and maintenance. Cleaning from the top to the bottom of your grill will ensure you get all of the vital areas thoroughly cleaned each and every time.

Preventative Maintenance consists of cleaning several areas on the inside of your grill as well as the outside. When your grill is **off and cool**, start by cleaning the inside from the top down to keep your grill running at peak performance.

⚠ WARNING: Turn your Weber® gas grill off and wait for it to cool before giving it a thorough cleaning.

CLEANING THE LID

From time to time you may notice “paint-like” flakes on the inside of the lid. During use, grease and smoke vapors slowly change into carbon and deposit on the inside of your lid. This deposit will eventually peel, and looks very similar to paint. These deposits are non toxic, but the flakes could fall onto your food if you do not clean the lid regularly.

You will need: A stainless steel bristle grill brush, paper towel.

A) Brush the carbonized grease from the inside of the lid with a stainless steel bristle grill brush (1). To minimize further build-up, the inside of the lid can be wiped with a paper towel after cooking while the grill is still warm (not hot).

CLEANING THE COOKING GRATES

If you have been cleaning your cooking grates as recommended in our Meal-To-Meal Maintenance plan, the debris on your grates should be minimal.

You will need: A stainless steel bristle grill brush.

A) With grates installed, brush the debris off your cooking grate with a stainless steel bristle grill brush (2).

⚠ CAUTION: Grill brushes should be checked for loose bristles and excessive wear on a regular basis. Replace brush if any loose bristles are found on cooking grates or brush. Weber recommends purchasing a new stainless steel bristle grill brush at the beginning of every spring.

B) Take the grates out. (Do not place them onto the grill side tables as they may scratch the paint or stainless steel.)

CLEANING THE FLAVORIZER® BARS

Angled just right, the Flavorizer™ bars catch drippings that smoke and sizzle adding flavor to your food. Any drippings not vaporized by the Flavorizer™ bars follow the slope of their angle and are funneled away from the burner tubes. Not only does this help prevent flare-ups inside your grill, but it also protects the burner tubes from getting clogged.

You will need: A plastic scraper, stainless steel bristle grill brush.

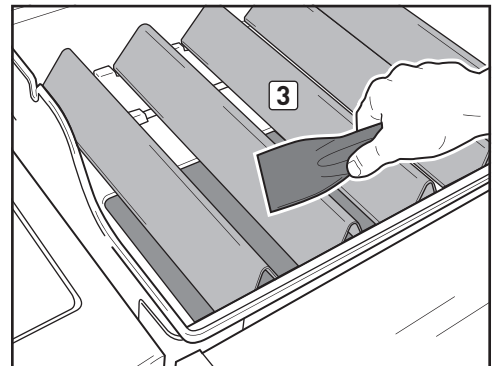
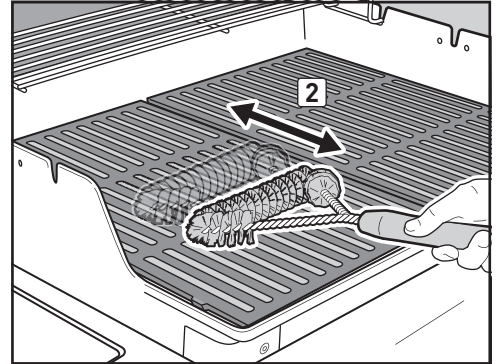
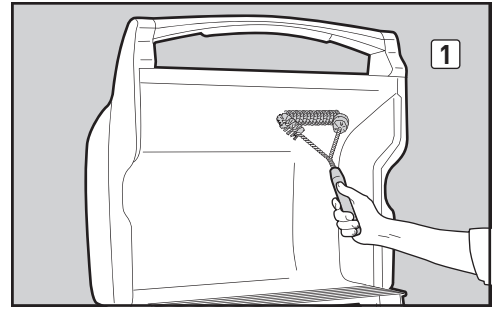
A) Scrape the Flavorizer™ bars with the plastic scraper (3).

B) If necessary, brush the Flavorizer™ bars with the stainless steel bristle grill brush.

C) Remove Flavorizer™ bars and set aside. (Do not place them onto grill side tables as they may scratch the paint or stainless steel.)

⚠ CAUTION: Do not clean Flavorizer™ bars or cooking grates in a sink, dishwasher or self-cleaning oven.

⚠ CAUTION: Over time the development of rough surfaces can occur on the Flavorizer® bars. Wearing gloves is recommended when handling.



To obtain replacement disposable drip pans, cooking grates and Flavorizer™ bars, contact the local retailer in your area or log onto www.weber.com. If you need further assistance, contact your Customer Service Representative.

CLEANING FOR PERFORMANCE

CLEANING THE BURNER TUBES

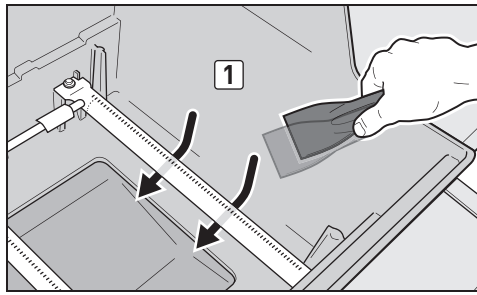
Keeping the burner tubes clean is essential for optimum performance. Refer to the previous pages for how to clean the burner tube ports and spider/insect screens.

CLEANING THE COOKBOX

Look inside the cookbox for any grease accumulation or leftover food particles. Excessive accumulation can cause a fire.

You will need: A plastic scraper.

- A) Use plastic scraper to scrape debris off the sides and bottom of grill into the opening in bottom of cookbox (1). This opening leads debris into the slide-out grease tray.



CLEANING THE GREASE MANAGEMENT SYSTEM

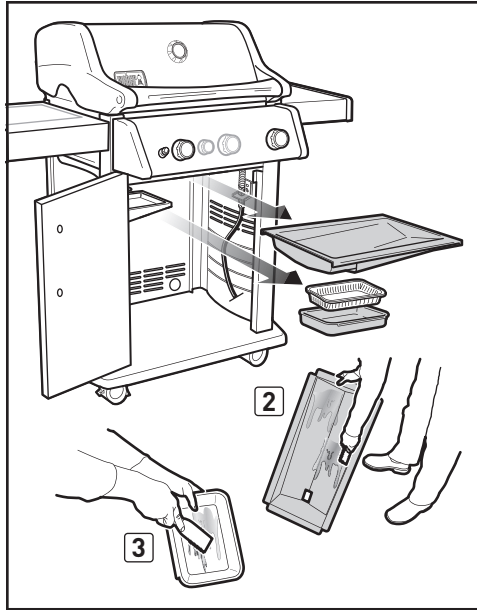
Your grill was built with a grease management system, which consists of an angled slide-out grease tray and catch pan. Grease is channeled down the slide-out grease tray and into the catch pan.

You will need: A plastic scraper, paper towel.

- A) Remove the slide-out grease tray by easily pulling the tray out of the cabinet. Remove excess grease with a plastic scraper (2). If desired, wipe excess grease with paper towel.
B) Remove the catch pan. Lift the disposable drip pan out of the catch pan, and discard (3). Replace with a new disposable drip pan.

⚠ WARNING: Check the slide-out grease tray and catch pan for grease build-up before each use. Remove excess grease to avoid a grease fire. A grease fire can cause serious bodily injury or damage to property.

⚠ CAUTION: Do not line the slide-out grease tray with aluminum foil.



CLEANING THE OUTSIDE OF THE GRILL

The outside of your grill may include stainless steel, porcelain-enameled, and plastic surfaces. Weber recommends the following methods based on the surface type.

Stainless Steel Surfaces

Clean stainless steel using a non-toxic, non-abrasive stainless steel cleaner or polish designed for use on outdoor products and grills. Do not risk scratching your stainless steel with abrasive pastes that do not clean or polish but change the color of the metal by removing the top chromium oxide film coating. Do not use paper towels.

You will need: A microfiber cloth, stainless steel cleaner.
A) Spray cleaner onto stainless steel areas of grill. Using a microfiber cloth clean in the direction of the grain of the stainless steel.

Painted, Porcelain-Enameled Surfaces and Plastic Components

Clean painted, porcelain-enameled and plastic surfaces on the outside of your grill with warm soapy water.

You will need: Warm soapy water, paper towels or cloth.
A) Wipe down the surfaces with warm soapy water. Rinse and dry thoroughly.

⚠ IMPORTANT: Do not use any of the following to clean your grill: abrasive stainless steel polishes or paints, cleaners that contain acid, mineral spirits, or xylene, oven cleaner, abrasive cleansers (kitchen cleansers), and abrasive cleaning pads.

CLEANING THE OUTSIDE OF GRILLS THAT ARE IN UNIQUE ENVIRONMENTS

If your grill is subject to a particularly harsh environment, you will want to clean the outside more often. Acid rain, pool chemicals and salt water can cause surface rusting to appear. Wipe down the outside of your grill with warm soapy water. Follow up with a rinse and thorough drying. Additionally, you may want to apply a stainless steel cleaner weekly to prevent surface rust.

STORAGE AND/OR NONUSE

For grills that have been stored or left unused for a while, it is important to follow these guidelines:

- The gas must be turned off at the LP tank when the Weber® gas grill is not in use.
- If storing the Weber® gas grill indoors, first DISCONNECT the gas supply and store the LP tank outdoors in a well-ventilated space.
- Do not store a disconnected LP tank in a building, garage, or any other enclosed area.
- If you do not disconnect the LP tank from the Weber® gas grill, be sure to keep both the grill and the tank outdoors in a well-ventilated area.
- The Weber® gas grill should be checked for gas leaks and any obstructions in the burner tubes before it is used. (Refer to "CLEANING FOR SAFETY.")
- Check that the areas under the control panel and the slide-out grease tray are free from debris that might obstruct the flow of combustion or ventilation air.
- The spider/insect screens should also be checked for any obstructions. (Refer to "CLEANING FOR SAFETY.")

IGNITION SYSTEM MAINTENANCE

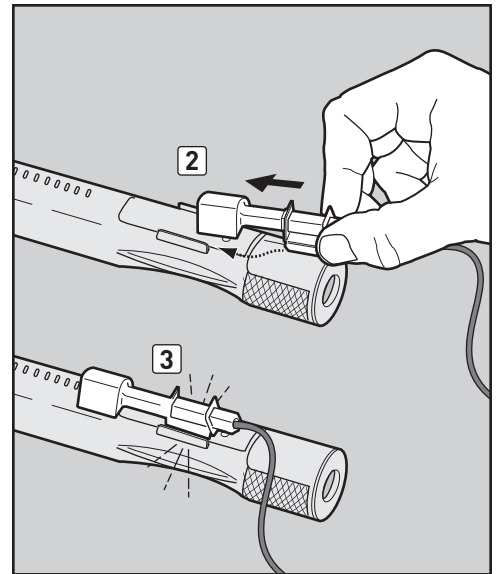
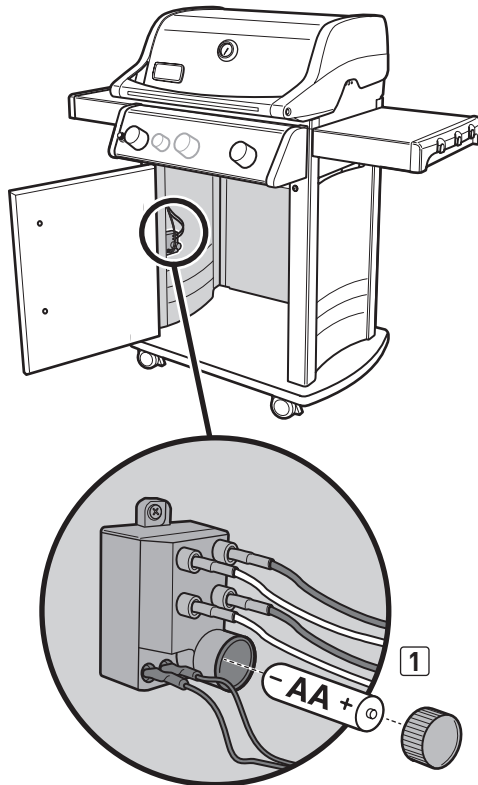
MAINTAINING THE ELECTRONIC CROSSOVER™ IGNITION SYSTEM

The igniter module supplies power to the electronic Crossover™ ignition system and the side burner with one igniter button. Whether you are performing routine maintenance or a troubleshooting check on the ignition system, read the following to keep your ignition system working properly.

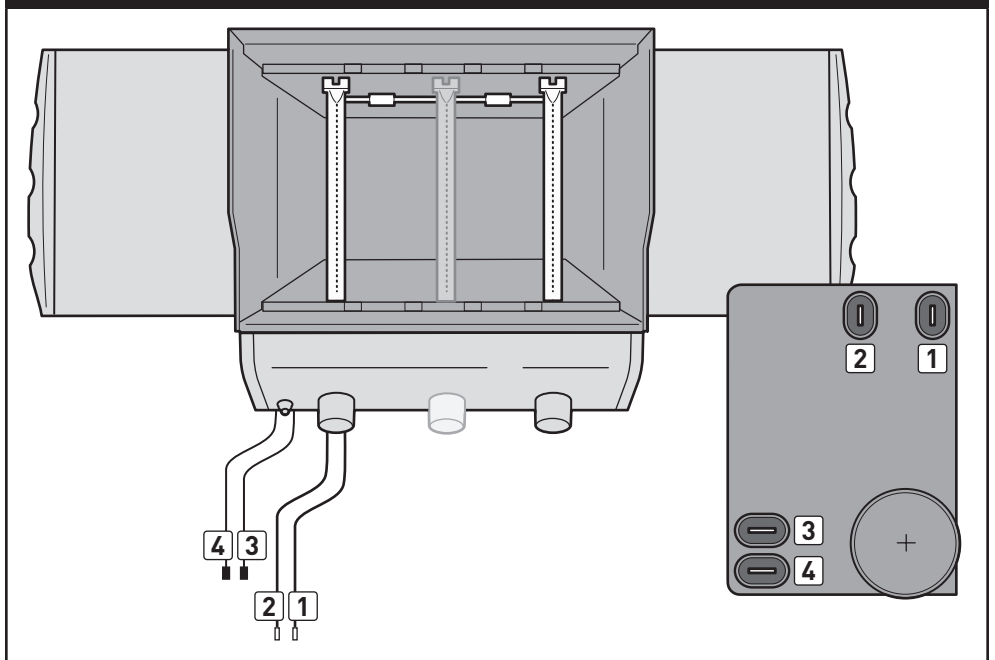
If the electronic Crossover™ ignition system fails to ignite, you'll need to pinpoint where the problem is occurring: with the gas flow or with the electronic ignition system. Begin by attempting to match light your burners. Refer to "MAIN BURNER IGNITION - Lighting with a Match." If match lighting is successful, the problem lies in the ignition system.

- Verify that the AA battery (alkaline only) is in good condition and is installed correctly **(1)**. Some batteries have a plastic protective wrap around them. This plastic must be removed before installing battery. Do not confuse this plastic with the battery label.
- Make sure the igniter wires are properly attached to the igniter module. Refer to the "IGNITER MODULE WIRE CHART" chart on this page.
- Make sure the ceramic igniter assembly is fully inserted into burner tube igniter channel **(2)**. If properly positioned, you will hear a snap **(3)**.
- Make sure the electronic igniter button is working by listening for clicking and looking for sparks at burner.

If the electronic Crossover™ ignition system still fails to ignite, contact the Customer Service Representative in your area using the contact information on our web site. Log onto www.weber.com.



IGNITER MODULE WIRE CHART (E/S-210™ / E-310™ / SP-310™)



BURNER 1	IGNITER BUTTON
Black Terminal (1)	Black Terminal (3)
Yellow Terminal (2)	Black Terminal (4)

⚠ ATTENTION: This product has been safety tested and is only certified for use in a specific country. Refer to country designation located on outer carton.

These parts may be gas carrying or gas burning components. Please contact Weber-Stephen Products LLC, Customer Service Department for genuine Weber-Stephen Products LLC replacement part(s) information.

⚠ WARNING: Do not attempt to make any repair to gas carrying, gas burning, igniter components or structural components without contacting Weber-Stephen Products LLC, Customer Service Department. Your actions, if you fail to follow this Product Warning, may cause a fire, an explosion, or structural failure resulting in serious personal injury or death as well as damage to property.



WEBER-STEPHEN PRODUCTS LLC
www.weber.com

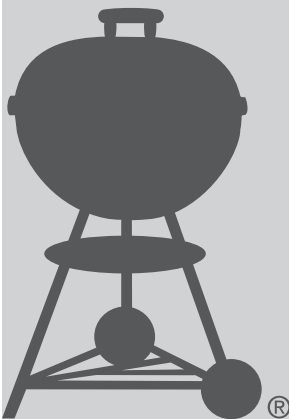


SPIRIT™

GUÍA DEL USUARIO DEL ASADOR

REGISTRAR SU ASADOR

Gracias por su compra del asador Weber®. Tómese unos minutos para proteger su inversión. Registre su asador ingresando a www.weber.com. Refiérase al número de serie que se encuentra en la cubierta de esta guía del propietario.



E-210™ · S-210™ · E-310™ · SP-310™ LP

DEBE LEER ESTA GUÍA DEL PROPIETARIO ANTES DE PONER A FUNCIONAR LA BARBACOA DE GAS.

⚠ PELIGRO

Si huele a gas:

- 1) Cierre el suministro de gas al artefacto.
- 2) Apague todas las flamas cerrando la válvula general de paso.
- 3) Abra la tapa.
- 4) Llame inmediatamente a la central de fugas o a su proveedor de gas.

Una fuga de gas puede provocar un incendio o explosión que puede resultar en lesiones corporales serias o la muerte, o daños a la propiedad.

Antes de poner a funcionar la asador, siga cuidadosamente todos los procedimientos en este manual para verificar que no existan fugas. Haga esto aun y cuando la asador haya sido ensamblada por el distribuidor.

⚠ ADVERTENCIA

- 1) No almacene gasolina u otros fluidos inflamables en la cercanía de su aparato.
- 2) Ningún tanque de propano licuado que no esté conectado para su uso deberá almacenarse cerca de éste o cualquier otro artefacto doméstico.

No encienda este artefacto sin primero leer las secciones de ENCENDIDO DEL QUEMADOR de este manual.

ESTE ARTEFACTO A GAS ESTÁ DISEÑADO PARA USARSE SOLAMENTE AL AIRE LIBRE.

AVISO AL INSTALADOR: Estas instrucciones deben permanecer con el propietario, quien las deberá guardar para un futuro uso.



48615

ES - SPANISH NORTH AMERICA

⚠ PELIGRO

El hacer caso omiso de los avisos de PELIGROS, ADVERTENCIAS y PRECAUCIONES contenidos en esta Guía del Propietario podría resultar en lesiones corporales serias o la muerte, o en un fuego o explosión que causase daños materiales.

ADVERTENCIAS:

- ⚠ El ensamblaje incorrecto de la barbacoa puede ser peligroso. Siga cuidadosamente las instrucciones de ensamblaje.
- ⚠ No use esta barbacoa a menos que todas sus partes estén instaladas en su debido lugar. La barbacoa debe ensamblarse correctamente de acuerdo a las instrucciones de ensamblaje.
- ⚠ La barbacoa de gas Weber® no debe ser nunca usada por niños. Partes accesibles de la barbacoa podrían estar muy calientes. Mantenga alejados a los niños pequeños mientras se esté usando.
- ⚠ Tenga cuidado al usar la barbacoa de gas Weber®. Estará caliente mientras se cocina en ella o se limpia, y nunca deberá dejarse desatendida ni moverse mientras esté funcionando.
- ⚠ No use carbón o piedra pómez en su barbacoa de gas Weber®.
- ⚠ Mientras enciende la barbacoa o cocina, nunca se incline sobre la barbacoa abierta.
- ⚠ Nunca coloque las manos o los dedos sobre el borde delantero de la caja de cocción cuando la barbacoa esté caliente o en la tapa esté abierta.
- ⚠ No trate de desconectar el regulador de gas ni cualquier otra conexión de gas mientras la barbacoa esté funcionando.
- ⚠ Mientras opere la barbacoa, utilice guantes resistentes al calor.
- ⚠ Use el conjunto del regulador de presión y manguera que se suministra con la barbacoa de gas Weber®.
- ⚠ Si llegasen a apagarse los quemadores mientras esté operando la barbacoa, cierre todas las válvulas de gas. Abra la tapa y espere cinco minutos antes de tratar de volver a encender la barbacoa, siguiendo las instrucciones de encendido.
- ⚠ No utilice la barbacoa a menos de 24 pulgadas (610 mm) de distancia de materiales combustibles. Esto incluye las partes superiores, inferiores, posteriores y laterales de la barbacoa.
- ⚠ No incorpore este modelo de barbacoa como parte integral o deslizante de una construcción. El ignorar esta ADVERTENCIA podría ocasionar un fuego o una explosión que podría causar daños materiales y lesiones corporales graves o la muerte.

- ⚠ No almacene un tanque de propano licuado desconectado o de repuesto debajo o cerca de esta barbacoa.
- ⚠ Tras haber estado guardada o sin uso por algún tiempo, antes de usar la barbacoa de gas Weber® verifique que no existan fugas de gas u obstrucciones en el quemador. Consulte las instrucciones en esta Guía del Propietario para los procedimientos correctos.
- ⚠ No opere la barbacoa de gas Weber® si hay presente una fuga de gas.
- ⚠ No utilice una llama abierta para comprobar la existencia de fugas de gas.
- ⚠ No ponga una cubierta de barbacoa o cualquier cosa inflamable sobre la barbacoa, o en el área de almacenamiento debajo de la barbacoa, mientras la misma esté en funcionamiento o caliente.
- ⚠ El propano licuado no es gas natural. El uso de gas natural en una unidad de propano licuado o viceversa, propano licuado en una de gas natural, es peligroso y anulará la garantía.
- ⚠ Mantenga a cualquier cordón eléctrico y a la manguera de suministro de gas alejados de toda superficie caliente.
- ⚠ Al limpiar las válvulas o los quemadores, no ensanche los orificios de las válvulas o las aberturas de los quemadores.
- ⚠ La barbacoa de gas Weber® deberá limpiarse a fondo con regularidad.
- ⚠ Un tanque de propano licuado abollado u oxidado pudiera ser peligroso y deberá ser revisado por su proveedor de propano licuado. No utilice ningún tanque de propano licuado con una válvula dañada.
- ⚠ Aunque su tanque de propano licuado pudiera aparentar estar vacío, algo de gas pudiera aún estar presente, por lo que el tanque deberá transportarse y almacenarse tomando esta posibilidad en consideración.
- ⚠ Si usted ve, huele o escucha el silbido de un escape de gas del tanque de propano licuado:
 1. Apártese del tanque de propano licuado.
 2. No intente corregir el problema usted mismo.
 3. Llame al cuerpo de bomberos local.
- ⚠ Si la grasa llegase a agarrar fuego, apague todos los quemadores y mantenga la tapa cerrada hasta que se haya apagado el fuego.

ADVERTENCIAS ADICIONALES PARA EL ESTADO DE CALIFORNIA:

- ⚠ Los subproductos de la combustión producidos al usar este producto contienen sustancias químicas que son conocidas por el Estado de California como causantes de cáncer, defectos de nacimiento u otros daños reproductivos.
- ⚠ Advertencia respecto a la Propuesta 65: El manipular el material de latón en este producto lo expone al plomo, una sustancia química conocida por el estado de California como causante de cáncer, defectos de nacimiento u otros daños reproductivos. (Lávese las manos después de manipular este producto).

GARANTÍA

Gracias por su compra del producto Weber®. Weber-Stephen Products LLC, 1415 S. Roselle Road, Palatine, Illinois 60067 ("Weber") se enorgullece en proporcionar un producto seguro, duradero y confiable.

Esta es la garantía voluntaria Weber proporcionada sin costo adicional. Contiene la información que tendrá que tener para que su producto WEBER® se repare en el raro caso de una falla o defecto.

En cumplimiento con las leyes correspondientes, el cliente cuenta con varios derechos en el caso de un producto defectuoso. Esos derechos incluyen el rendimiento o reemplazo adicional, reducción del precio de compra y compensación. Por ejemplo, en la Unión Europea, se trataría de una garantía legal de dos años a partir de la fecha en que se entrega el producto. Estos y otros derechos legales permanecen vigentes por esta cláusula de garantía. De hecho, esta garantía otorga derechos adicionales al Dueño que son independientes de las cláusulas legales de garantía.

GARANTÍA VOLUNTARIA DE WEBER

Weber garantiza, al comprador del producto WEBER® [o en caso de una situación de regalo o promocional, la persona para la cual se compró como regalo o promoción], que el producto WEBER® está libre de defectos en materiales y mano de obra por el/los periodo(s) de tiempo especificados a continuación cuando se arma y opera de acuerdo con Guía del Usuario acompañante. [Nota: Si usted pierde o no encuentra su Guía del Usuario de WEBER®, puede encontrar una de reemplazo en línea en www.weber.com, o en el sitio específico del país que se le pueda asignar al Dueño]. Bajo uso y mantenimiento normal en viviendas o departamentos familiares, Weber está de acuerdo dentro del marco de esta garantía en reparar o reemplazar las partes defectuosas dentro de los periodos de tiempo correspondientes, las limitaciones y exclusiones incluidas continuación. HASTA EL GRADO PERMITIDO POR LA LEY CORRESPONDIENTE, ESTA GARANTÍA SE AMPLIA SOLO AL COMPRADOR ORIGINAL Y NO ES TRANSFERIBLE A DUEÑOS POSTERIORES, CON EXCEPCIÓN DEL CASO DE REGALOS Y ARTÍCULOS PROMOCIONALES COMO SE INDICÓ ARRIBA.

RESPONSABILIDADES DEL DUEÑO BAJO ESTA GARANTÍA

Para asegurar una cobertura de garantía sin problemas, es importante (sin embargo no es requisito) que registre su producto WEBER® en línea en www.weber.com, o en el sitio especificado por país que se le pueda indicar al cliente). Conserve también por favor su recibo o factura de compra original. Al registrar su producto WEBER® confirma su cobertura de garantía y proporciona un enlace directo entre usted y Weber en caso de que necesitemos contactarlo.

La garantía anterior solo se aplica si el Dueño toma el cuidado razonable del producto WEBER® siguiendo todas las instrucciones de armado, las instrucciones de uso, y el mantenimiento preventivo, como se describe en la Guía del Usuario anexa, a menos que el Dueño pueda comprobar que el defecto o la falla es independiente de la falta de cumplimiento con las obligaciones mencionadas arriba. Si usted vive en un área costera o tiene su producto ubicado cerca de una piscina, el mantenimiento incluye el lavado y enjuagado regular de las superficies exteriores como se describe en la Guía del Usuario acompañante.

MANEJO DE GARANTÍA / EXCLUSIÓN DE GARANTÍA

Si usted cree que cuenta con una pieza cubierta bajo esta Garantía, contacte por favor al Departamento de Servicio al Cliente de Weber utilizando la información en nuestro sitio (www.weber.com), o la información específica del sitio a donde se le indique al Dueño). Después de una investigación, Weber reparará o reemplazará (a su propia opción) una pieza defectuosa cubierta por esta Garantía. En el caso en que no sea posible una reparación o reemplazo, Weber puede escoger (a su propia opción) reemplazar el asador en cuestión con un nuevo asador de igual o mayor valor. Weber puede pedirle que regrese las piezas para su inspección, los cobros por envío deben ser prepagados.

Esta GARANTÍA se anula si existen daños, deterioros, descoloraciones u óxido por los cuales Weber no sea responsable y que sean ocasionados por:

- abuso, falta de uso, alteración, modificación, mal uso, vandalismo, negligencia, montaje o instalación inadecuada y no realizar el mantenimiento normal y de rutina;
- Insectos (como arañas) y roedores (como ardillas), incluyendo más no limitándose a daños a los tubos del quemador y/o las mangueras de gas;
- Exposición a fuentes de aire con alta concentración de sal o cloro como piscinas y jacuzzies/spas;
- Condiciones ambientales severas como granizo, huracanes, terremotos, tsunamis u oleaje, tornados o fuertes tormentas.

Los asadores que se ilustran en este Manual del Propietario pueden variar ligeramente con respecto al modelo comprado.

El uso y/o instalación de piezas en su producto WEBER® que no sean piezas genuinas Weber anularán esta Garantía, y cualquier otro daño que resulte de los mismos no está cubierto bajo esta Garantía. Cualquier conversión de un asador de gas no autorizada por Weber y realizada por un técnico de servicio autorizado Weber anulará esta Garantía.

PERIODOS DE GARANTÍA DE PRODUCTO

Caja para cocinar:
10 años, sin que atraviese el óxido/quemaduras
(2 años para la pintura excluyendo el deterioro o descoloración)

Conjunto de la tapa:
10 años, sin que atraviese el óxido/quemaduras
(2 años para la pintura excluyendo el deterioro o descoloración)

Tubos del quemador de acero inoxidable:
10 años, sin que atraviese el óxido/quemaduras

Rejillas para cocinar de acero inoxidable:
5 años, sin que atraviese el óxido/quemaduras

Barras de acero inoxidable Flavorizer™:
5 años, sin que atraviese el óxido/quemaduras

Rejillas para cocinar de hierro vaciado con esmalte de porcelana:
5 años, sin que atraviese el óxido/quemaduras

Todas las partes restantes:
2 años

DESCARGOS DE RESPONSABILIDADES

ADEMÁS DE LA GARANTÍA Y DESCARGOS DE RESPONSABILIDADES DESCRITOS EN ESTA DECLARACIÓN DE GARANTÍA; NO EXISTEN EXPLÍCITAMENTE GARANTÍAS ADICIONALES O DECLARACIONES VOLUNTARIAS DE RESPONSABILIDAD OTORGADAS POR EL PRESENTE QUE VAN MÁS ALLÁ DE LA RESPONSABILIDAD LEGAL APLICADA A WEBER. LA PRESENTE DECLARACIÓN DE GARANTÍA NO SE LIMITA NI EXCLUYE SITUACIONES O RECLAMOS EN DONDE WEBER CUENTA CON RESPONSABILIDAD OBLIGATORIA COMO LO ESTABLECE LA LEY.

NINGUNA GARANTÍA SE DEBERÁ APLICAR DESPUÉS DE LOS PERIODOS DE TIEMPO CORRESPONDIENTES DE ESTA GARANTÍA. NINGUNA OTRA GARANTÍA OFRECIDA POR CUALQUIER PERSONA, INCLUYENDO UN DISTRIBUIDOR O MINORISTA CON RESPECTO A CUALQUIER PRODUCTO (COMO CUALQUIER "GARANTÍA PROLONGADA"), DEBERÁN VINCULAR A WEBER. EL REMEDIO EXCLUSIVO DE ESTA GARANTÍA ES LA REPARACIÓN O REMPLAZO DE LA PIEZA O PRODUCTO.

BAJO NINGUNA CIRCUNSTANCIA BAJO ESTA GARANTÍA VOLUNTARIA, LA RECUPERACIÓN DE CUALQUIER TIPO DEBERÁ SER MAYOR QUE LA CANTIDAD DEL PRECIO DE COMPRA DEL PRODUCTO WEBER VENDIDO.

USTED ASUME EL RIESGO Y RESPONSABILIDAD POR PÉRDIDA, DAÑO O LESIÓN HACIA USTED Y HACIA SU PROPIEDAD Y/O HACIA OTROS Y SUS PROPIEDADES QUE SE DERIVEN DEL MAL USO O ABUSO DEL PRODUCTO O DEBIDO A LA FALTA DE SEGUIMIENTO DE LAS INSTRUCCIONES PROPORCIONADAS POR WEBER EN LA GUÍA DEL USUARIO ACOMPAÑANTE.

LAS PIEZAS Y ACCESORIOS REMPLAZADOS BAJO ESTA GARANTÍA ESTÁN GARANTIZADOS SOLAMENTE POR EL TIEMPO RESTANTE DEL/DE LOS PERIODO(S) ORIGINAL(ES) DE GARANTÍA.

ESTA GARANTÍA SE APLICA AL USO EN HOGARES O DEPARTAMENTOS FAMILIARES PRIVADOS Y NO SE APLICA CUANDO LOS ASADORES DE GAS WEBER SE USAN EN AMBIENTES COMERCIALES, COMUNITARIOS O DE UNIDADES MÚLTIPLES COMO RESTAURANTES, HOTELES, CENTROS TURÍSTICOS O PROPIEDADES DE RENTA.

WEBER PUEDE DE VEZ EN CUANDO CAMBIAR EL DISEÑO DE SUS PRODUCTOS. NADA INCLUIDO EN ESTA GARANTÍA DEBERÁ INTERPRETARSE COMO UNA OBLIGACIÓN DE WEBER DE INCORPORAR DICHOS CAMBIOS DE DISEÑO EN LOS PRODUCTOS FABRICADOS ANTERIORMENTE, NI TAMPOCO DICHOS CAMBIOS DEBERÁN INTERPRETARSE COMO UNA ADMISIÓN DE QUE LOS DISEÑOS PREVIOS ESTABAN DEFECTUOSOS.

WEBER-STEPHEN PRODUCTS LLC
Centro de Servicio al Cliente
1415 S. Roselle Road
Palatine, IL 60067
EE.UU.

Para piezas de repuesto, llame al:
1-800-446-1071

Para compras hechas en México:
Weber-Stephen Products S.A. de C.V.
Calle José Guadalupe Zuno #2302 P.H.
Col. Americana, Guadalajara, Jalisco C.P. 44160 Mexico
RFC- WPR030919ND4

Para partes de repuesto llame a:
01800-00-Weber [93237] Ext. 105

ÍNDICE

SPIRIT™ E/S-210™ LP DIAGRAMA DE DESPIECE . . .	4
SPIRIT™ E-310™ LP DIAGRAMA DE DESPIECE . . .	6
SPIRIT™ SP-310™ LP DIAGRAMA DE DESPIECE . . .	8
ADVERTENCIAS	30
GARANTÍA	31
ÍNDICE	31
INFORMACIÓN IMPORTANTE ACERCA DEL GAS PROPANO LICUADO	32
¿QUÉ ES EL GAS PROPANO LICUADO?	32
CONSEJOS PARA LA MANIPULACIÓN SEGURA DE LOS TANQUES DE PROPANO LICUADO	32
ALMACENAJE Y/O FALTA DE USO	32
CÓDIGOS DE INSTALACIÓN DE LOS EE.UU.	32
CÓDIGOS DE INSTALACIÓN MÉXICO	32
CÓDIGOS DE INSTALACIÓN CANADIENSES	32
REQUISITOS RESPECTO A LOS TANQUES DE PROPANO LICUADO EN LOS EE.UU.	32
REQUISITOS CANADIENSES PARA LOS TANQUES DE PROPANO LICUADO	32
INFORMACIÓN IMPORTANTE ACERCA DE LAS CONEXIONES DE GAS PROPANO LICUADO	33
¿QUÉ ES UN REGULADOR?	33
CONEXIONES DEL REGULADOR	33
INSTALACIÓN Y RETIRO DEL TANQUE DE GAS PROPANO LICUADO	34
COMBUSTIBLE PARA LA BARBACOA	34
INSTALACIÓN DEL TANQUE DE PROPANO LICUADO	34
NIVEL DE COMBUSTIBLE	35
RETIRO DEL TANQUE DE GAS PROPANO LICUADO PARA RECARGARLO O SUSTITUIRLO	35
LLENADO DEL TANQUE DE GAS PROPANO LICUADO	35
PREPARACIÓN PARA USAR LA BARBACOA	36
¿QUÉ ES UNA PRUEBA DE DETECCIÓN DE FUGAS?	36
DESMONTAJE PARCIAL DE LA BARBACOA PARA UNA PRUEBA DE DETECCIÓN DE FUGAS	36
PRUEBAS DE DETECCIÓN DE FUGAS DE GAS	37
CONSEJOS PRÁCTICOS PARA ASAR A LA PARRILLA	38
CONSEJOS Y RECOMENDACIONES	38
PRECALENTAMIENTO	38
COCCIÓN CUBIERTA	38
SISTEMA FLAVORIZER™	38
PRINGUES Y GRASA	38
CHEQUEOS DE SEGURIDAD ANTES DE USAR LA BARBACOA	39
LA SEGURIDAD PRIMERO	39
BANDEJA DESLIZANTE DE GRASA	39
PLATO RECOLECTOR Y BANDEJA DE GOTEÓ DESECHABLE	39
INSPECCIÓN DE LA MANGUERA	39
ENCENDIDO Y USO DEL QUEMADOR PRINCIPAL 40	
MÉTODOS DE ENCENDIDO DEL QUEMADOR	40
ENCENDIDO DE LOS QUEMADORES PRINCIPALES	40
PARA APAGAR EL QUEMADOR	40
RESOLUCIÓN DE PROBLEMAS	42
SOLUCIÓN DE PROBLEMAS GENERALES	42
LIMPIEZA PARA LOGRAR DELICIOSAS COMIDAS 43	
MANTENIMIENTO ENTRE LA COCCIÓN DE ALIMENTOS	43
MANTENIMIENTO DEL SISTEMA ADMINISTRADOR DE GRASA	43
PRECALENTAMIENTO DEL ASADOR	43
LIMPIEZA DE LA REJILLA PARA COCINAR	43
LIMPIEZA PARA SEGURIDAD	44
LIMPIEZA DE LOS TUBOS DEL QUEMADOR	44
LIMPIEZA DE LOS PUERTOS DEL TUBO DEL QUEMADOR	44
LIMPIEZA DE LAS PANTALLAS PARA ARAÑAS/INSECTOS	45
LLAMADAS AL SERVICIO AL CLIENTE	45
LIMPIEZA PARA RENDIMIENTO	46
MANTENIMIENTO PREVENTIVO	46
LIMPIEZA DE LA TAPA	46
LIMPIEZA DE LAS REJILLAS PARA COCINAR	46
LIMPIEZA DE LAS BARRAS FLAVORIZER™	46
LIMPIEZA DE LOS TUBOS DEL QUEMADOR	47
LIMPIEZA DE LA CAJA PARA COCINAR	47
LIMPIEZA DEL SISTEMA ADMINISTRADOR DE GRASA	47
LIMPIEZA DE LA PARTE EXTERNA DEL ASADOR	47
LIMPIEZA EXTERIOR DE ASADORES EN UN MEDIO AMBIENTE EXTRAORDINARIO	47
ALMACENAJE Y/O FALTA DE USO	47
MANTENIMIENTO DEL SISTEMA DE ENCENDIDO	48
MANTENIMIENTO DEL SISTEMA DE ENCENDIDO ELECTRÓNICO CROSSOVER™	48
APÉNDICE A LA GUÍA DEL PROPIETARIO DEL ASADOR A GAS	49

¿QUÉ ES EL GAS PROPANO LICUADO?

El gas propano licuado, también denominado LP, gas LP, gas licuado de petróleo, o, simplemente, propano o butano, es el producto inflamable derivado del petróleo utilizado como combustible para la barbacoa. Es un gas a temperaturas y presiones moderadas cuando no está contenido. Pero a una presión moderada dentro de un recipiente, tal como un tanque, el propano es un líquido. Al liberarse la presión del tanque, el líquido se evapora fácilmente y se convierte en gas propano.

- El gas propano tiene un olor similar al gas natural. Usted deberá estar al tanto de este olor.
- El propano es más pesado que el aire. El gas propano proveniente de una fuga puede acumularse en áreas bajas y resistir su dispersión.

CONSEJOS PARA LA MANIPULACIÓN SEGURA DE LOS TANQUES DE PROPANO LICUADO

Hay varias pautas y factores de seguridad que usted necesita tener en cuenta al utilizar gas propano licuado. Siga cuidadosamente estas instrucciones antes de usar la barbacoa de gas Weber®.

- Siempre cierre la válvula del tanque antes de desconectar.
- No use ningún tanque de propano licuado dañado. Los tanques de propano licuado abollados u oxidados o con la válvula dañada son peligrosos y deberán reemplazarse por uno nuevo inmediatamente.
- Trate a los tanques de propano licuado "vacíos" con el mismo cuidado que cuando están llenos. Incluso cuando un tanque de propano licuado está vacío de líquido, todavía puede haber presión del gas dentro del tanque.
- El tanque de propano licuado debe instalarse, transportarse y almacenarse en posición vertical y de forma segura. Los tanques de propano licuado no deben golpearse ni manejarse bruscamente.
- Nunca guarde o transporte el tanque de propano licuado donde las temperaturas puedan alcanzar 125°F (52°C) [el tanque estará demasiado caliente para sostenerlo con la mano]. Por ejemplo: no deje un tanque de propano licuado dentro de un auto en un día caluroso.

- Cada vez que se reconecte al tanque, realice una prueba de detección de fugas donde el regulador se conecta al tanque de propano licuado. Por ejemplo: realice la prueba cada vez que se llena el tanque de propano licuado y se vuelve a instalar.
- Los tanques de propano licuado debe mantenerse fuera del alcance de los niños.

ALMACENAJE Y/O FALTA DE USO

Para las barbacoas que hayan estado almacenadas o hayan estado sin utilizarse durante un tiempo, es importante seguir estas pautas:

- La válvula de gas en el tanque de propano licuado debe mantenerse cerrada mientras la barbacoa de gas Weber® esté sin usarse.
- ⚠ **ADVERTENCIA: Asegúrese de que la válvula del tanque de propano licuado esté cerrada cuando la barbacoa no esté en uso. Cíerrela girándola en la dirección horaria.**
- Si va a guardar la barbacoa de gas Weber® en un lugar cerrado, primero desconecte el suministro de gas y almacene el tanque de propano licuado al aire libre en un espacio bien ventilado.
- ⚠ **PRECAUCIÓN: Coloque una tapa antipolvo a la salida de la válvula del tanque cuando este no se encuentre en uso. En la salida de la válvula del tanque, solamente instale el tipo de tapa antipolvo que viene provisto con la válvula del tanque. Otros tipos de tapas o tapones podrían resultar en fugas de propano.**
- No almacene un tanque de propano licuado desconectado en una edificación, garaje o cualquier otra área cerrada.
- Si no desconecta el tanque de propano licuado de la barbacoa de gas Weber®, asegúrese de mantener tanto la barbacoa como el tanque al aire libre en un área bien ventilada.
- Antes de usarla, se deberá verificar que la barbacoa de gas Weber® no tenga fugas de gas ni obstrucciones en los tubos de los quemadores. (Consulte la sección de "MANTENIMIENTO ANUAL").
- Asegúrese de que el área debajo del panel de control y la bandeja deslizante de grasa no tengan desechos que pudiesen obstruir el flujo de aire de combustión o de ventilación.
- También deberá revisarse que la malla contra arañas e insectos no esté obstruida. (Consulte la sección de "MANTENIMIENTO ANUAL").

CÓDIGOS DE INSTALACIÓN DE LOS EE.UU.

La instalación debe acatar los códigos locales o, en la ausencia de estos, bien sea el código nacional de gases combustibles "National Fuel Gas Code, ANSI Z223.1/NFPA 54", código para las instalaciones de gas natural y propano "Natural Gas and Propane Installation Code", CSA B149.1; o el código de manejo y almacenaje de propano "Propane Storage and Handling Code, B149.2"; o la Norma de Vehículos Recreativos, ANSI A 119.2/NFPA 1192 y CSA Z240 RV Series, "Recreational Vehicle Code", según proceda.

CÓDIGOS DE INSTALACIÓN MÉXICO

Si hubiese códigos locales que se aplicasen a los asadores de gas portátiles, usted deberá cumplir con la más reciente edición de NOM.

CÓDIGOS DE INSTALACIÓN CANADIENSES

Estas instrucciones, aunque de manera general son aceptables, no necesariamente cumplen con los códigos de instalación canadienses, en particular en lo que respecta a tuberías bajo y sobre tierra. En Canadá, la instalación de este aparato debe cumplir con los

códigos locales y/o la más reciente edición de la Norma CAN/CSA-B149.2 (Código de Almacenaje y Manejo del Propano).

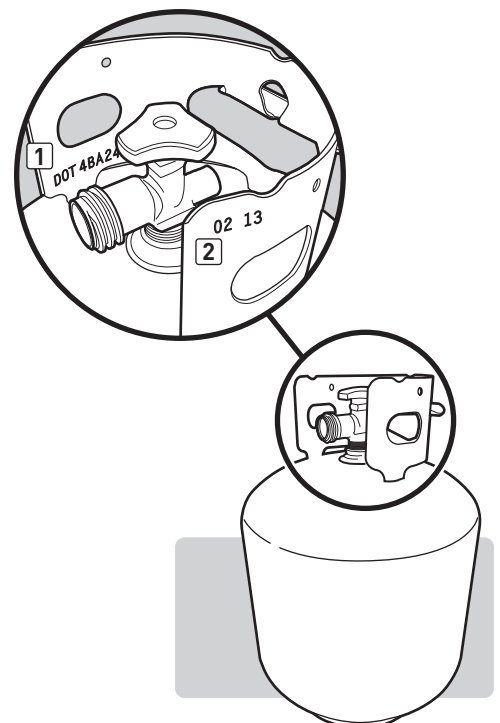
REQUISITOS RESPECTO A LOS TANQUES DE PROPANO LICUADO EN LOS EE.UU.

- Asegúrese de que los tanques tengan una certificación del Dept. de Transporte (DOT) (1), y que la fecha de la prueba del mismo (2) no tenga más de cinco años de realizada. Su proveedor de propano licuado puede hacerlo por usted.
- Todos los sistemas de tanques de suministro de propano licuado deben incluir un collar que proteja la válvula del tanque.
- Los tanques de propano licuado deben ser de 20 lbs, con un tamaño aproximado de 18¼ pulgadas (46.3 cm) de alto y 12¼ pulgadas (31.1 cm) de diámetro.
- Los tanques deben construirse y marcarse de acuerdo con las "Especificaciones para cilindros (tanques) de gas propano licuado" ("Specifications for LP - Gas Cylinders (Tanks)") del Departamento de Transporte (D.O.T.) de los EE.UU. o la Norma Nacional Canadiense CAN/CSA-B339, "Cilindros (Tanques), esferas y tubos o transporte de productos peligrosos" ("Cylinders (Tanks), Spheres and Tubes or Transportation of Dangerous Goods"); y Comisión, según aplique.
- ⚠ **ADVERTENCIA: El tanque de propano licuado que se utilice con la barbacoa debe tener un dispositivo de prevención de sobrellenado (OPD, por sus siglas en inglés) y una conexión de Tipo 1 (CGA810). La conexión del tanque debe ser compatible con la conexión de la barbacoa.**

REQUISITOS CANADIENSES PARA LOS TANQUES DE PROPANO LICUADO

- El tanque de propano licuado debe estar construido y marcado de acuerdo con las especificaciones para tanques de propano licuado, T.C.

NOTA: Su proveedor de venta al por menor puede ayudarle a ubicar el tanque de reemplazo que necesita para su barbacoa.



¿QUÉ ES UN REGULADOR?

La barbacoa de gas Weber® está equipada con un regulador de presión, que es un dispositivo para controlar y mantener uniforme la presión del gas al este salir del tanque de propano licuado.

CONEXIONES DEL REGULADOR

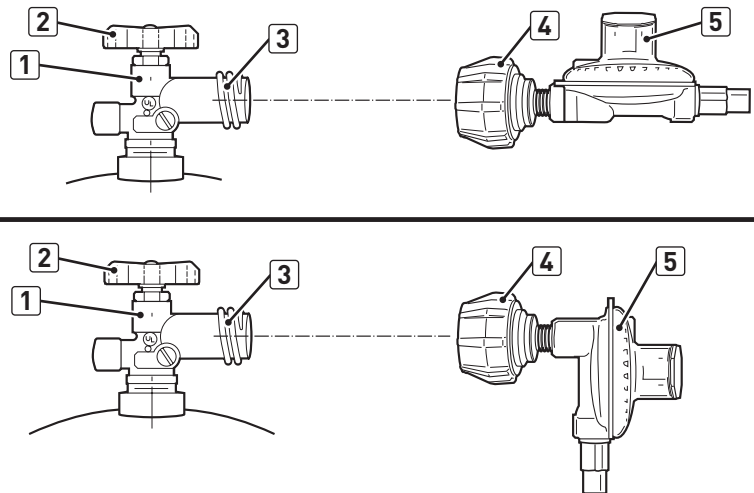
Cada regulador Weber® de gas propano licuado está diseñado para extraer el vapor y está equipado con una conexión al tanque Tipo 1 homologada por UL tal como se describe en la última edición de ANSI Z21.58. EL TANQUE DE GAS PROPANO LICUADO QUE USTED CONECTE AL REGULADOR DEBE ESTAR EQUIPADO CON UNA CONEXIÓN TIPO 1 COMPATIBLE EN LA VÁLVULA DE TANQUE. Esta conexión Tipo 1 le permite hacer una conexión rápida y segura entre su barbacoa de gas Weber® y el tanque de gas propano licuado.

NOTA: El gas no fluirá del tanque a menos que el acoplamiento Tipo 1 esté completamente conectado.

- Debe utilizarse el regulador de presión suministrado con la barbacoa de gas Weber®. Este regulador está ajustado para una presión de 11 pulgadas de columna de agua.
- Los conjuntos de regulador de presión y manguera de reemplazo deben ser los especificados por Weber-Stephen Products LLC.
- Asegúrese de que el regulador esté montado con el pequeño agujero respiradero viendo hacia abajo de manera que no se acumule agua en él. Este respiradero debe mantenerse libre de suciedad, grasa, insectos, etc.
- Las conexiones de gas suministradas con su barbacoa de gas Weber® han sido diseñadas y probadas para que cumplan en un 100% con los requisitos de CSA y ANSI.

⚠ ADVERTENCIA: Los tanques de propano licuado de reemplazo deben tener conexiones compatibles con la del regulador suministrado con esta aparato de gas Weber®.

ACOPLAMIENTO CONECTOR TIPO 1



1	Válvula tipo 1	4	Tuerca con sensibilidad térmica
2	Manubrio	5	Regulador del propano
3	Rosca externa		

COMBUSTIBLE PARA LA BARBACOA

Antes de usar la barbacoa por primera vez, necesitará conseguir un tanque de gas propano licuado. Los tanques nuevos se puede comprar ya llenos; los tanques vacíos pueden ser rellenados o intercambiados. Puede optar por comprar un tanque de gas propano licuado de repuesto para que no se quede sin combustible en medio de la preparación de una comida.

⚠ PELIGRO

NUNCA almacene un tanque de gas propano licuado de repuesto debajo o cerca de los aparatos de gas Weber®. **NUNCA** llene el tanque más allá de un 80% de su capacidad plena. El no acatar estas advertencias al pie de la letra pudiera resultar en un fuego letal o causar lesiones serias.

INSTALACIÓN DEL TANQUE DE PROPANO LICUADO

Los tanques de gas propano licuado pueden variar según la forma del conjunto del aro superior (el anillo de metal protector alrededor de la válvula del tanque). Su forma determina cómo el tanque se colgará en la báscula del tanque. Un tipo de tanque se monta con la válvula hacia el frente (1). El otro tipo se monta con la válvula viendo en dirección contraria a la báscula de combustible (2). Para instalar correctamente el tanque de gas propano licuado, en primer lugar identifique qué tipo de tanque ha adquirido. Weber recomienda tanques de gas propano licuado con una capacidad de 47,6 libras de agua. El uso de otros tanques podría ser aceptable siempre que sean compatibles con los medios de sujeción del aparato (báscula del tanque).

El tanque de gas propano licuado va instalado dentro del gabinete de la base, sobre la báscula del tanque (lado derecho).

Prepare la barbacoa para la instalación del tanque

- A) Revise que todas las perillas de control de los quemadores estén en la posición (O) apagada. La barbacoa fue despachada con las perillas de control en la posición (O) apagada, pero usted debe comprobarlo para asegurarse de que estén apagadas. Verifíquelo presionándolas y girando en sentido horario. Si no giran, están cerradas. Si sí giran, siga girándolas en sentido horario hasta que se detengan; entonces estarán apagadas. Si la barbacoa cuenta con un quemador lateral, asegúrese de que la perilla de control del mismo esté en la posición apagada.
- B) Abra la puerta del gabinete de la base.

Instale el tanque de gas propano licuado

- A) Afloje la tuerca de seguridad de orejas. Gire el seguro del tanque (3).
- B) Gire el tanque de gas propano licuado de manera que la abertura de la válvula esté viendo hacia la parte frontal o lateral de la barbacoa de gas Weber®.

⚠ **ADVERTENCIA:** Asegúrese de que la válvula del tanque de gas propano licuado esté cerrada. Círrrela girándola en dirección horaria.

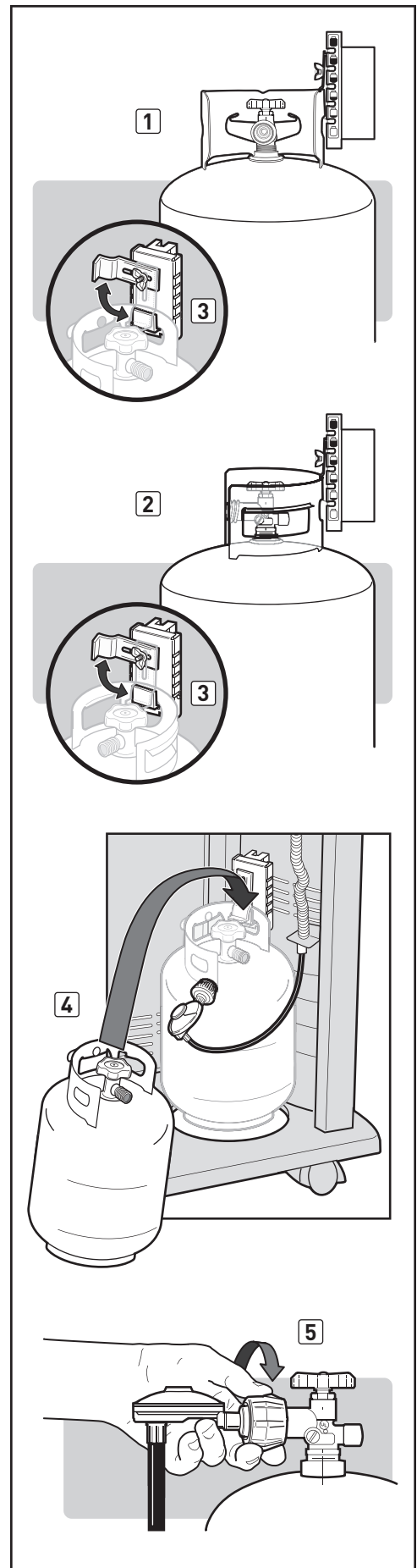
- C) Levante el tanque a su posición en la báscula del tanque (4).
- D) Gire el seguro del tanque hacia abajo. Apriete la tuerca de orejas.

Conecte el regulador/manguera al tanque

- A) Retire la cubierta de plástico contra polvo de la válvula del tanque.
- B) Enrosque el acoplamiento del regulador a la válvula del tanque, en el sentido horario o hacia la derecha (5). **Sólo apriete a mano.**

NOTA: Esta conexión se aprieta hacia la derecha y no permitirá que el gas fluya a menos que la conexión esté apretada.

⚠ **ADVERTENCIA:** No use una llave para apretar la conexión. Si usa una llave, podría dañar el acoplamiento del regulador y causar una fuga.



INSTALACIÓN Y RETIRO DEL TANQUE DE GAS PROPANO LICUADO

NIVEL DE COMBUSTIBLE

La báscula del tanque, un aditamento en algunas de nuestras barbacoas, indica el suministro de gas propano para que pueda volver a llenar el tanque antes de quedarse sin combustible. Controle el nivel de combustible observando la línea de color naranja indicadora de nivel, situada al lado de la báscula del tanque. Cuando la línea indicadora está en el fondo, el tanque está vacío (1). Cuando está en el medio, el tanque se encuentra lleno a la mitad (2). Cuando está en la parte superior, el tanque está lleno (3).

RETIRO DEL TANQUE DE GAS PROPANO LICUADO PARA RECARGARLO O SUSTITUIRLO

Un tanque de gas propano licuado lleno durará alrededor de 18-20 horas de tiempo de cocción bajo uso normal. No necesita quedarse sin combustible antes de poder rellenar el tanque. De hecho, le recomendamos que llene su tanque de gas propano licuado antes de que éste se vacíe por completo.

Retiro del tanque de gas propano licuado

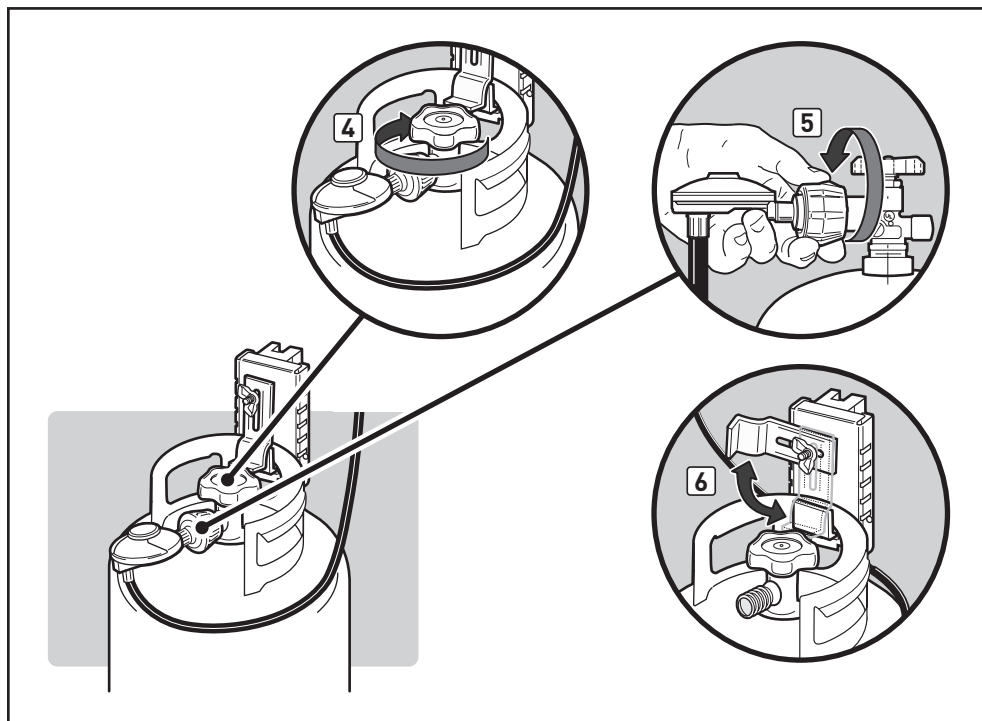
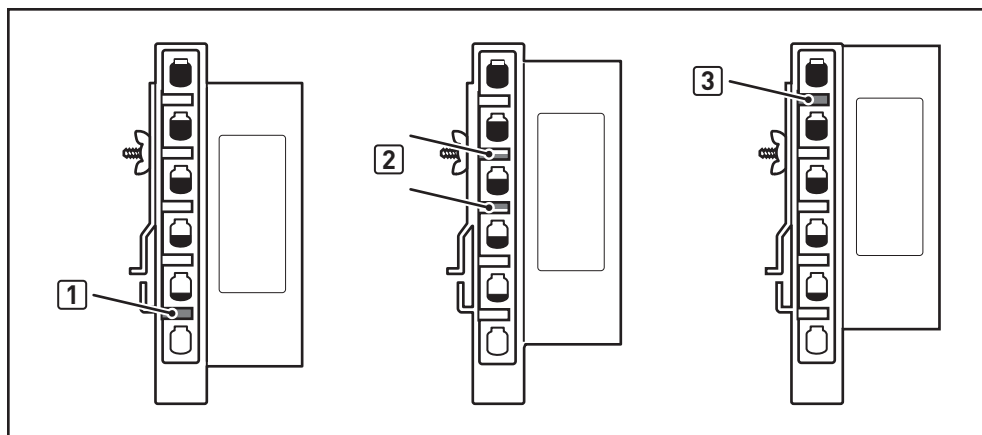
- Cierre la válvula del tanque (gire en sentido horario) (4).
- Desenrosque el acoplamiento del regulador girándolo, solamente a mano, en sentido contrario a las agujas del reloj (5).
- Afloje la tuerca de seguridad de orejas del tanque y gire el seguro del tanque a una posición que no estorbe (6).
- Levante el tanque fuera de la báscula del mismo.

LLENADO DEL TANQUE DE GAS PROPANO LICUADO

El llenado correcto del tanque se realiza por peso o por volumen, como se describe en la norma NFPA 58. Asegúrese de que su estación de servicio utiliza uno de estos dos métodos, y pídale a la misma que lea las instrucciones para la purga y llenado del tanque de gas antes de intentar llenarlo.

⚠ ADVERTENCIA: Recomendamos llenar su tanque de gas propano licuado en una distribuidora de gas propano autorizada que tenga un encargado debidamente calificado y que llene el tanque en base a peso. EL LLENADO INCORRECTO ES PELIGROSO.

NOTA: Antes de llenarlo por primera vez, asegúrese de que se haya purgado el aire atrapado en el tanque. Los distribuidores de gas propano licuado están equipados para hacerlo.



PREPARACIÓN PARA USAR LA BARBACOA

¿QUÉ ES UNA PRUEBA DE DETECCIÓN DE FUGAS?

El sistema de combustible del asador cuenta con conexiones y accesorios. Una prueba de detección de fugas es una manera confiable de asegurarse de que no se esté escapando gas de alguna de las conexiones o accesorios.

Aunque todas las conexiones realizadas en fábrica han sido revisadas a fondo para detectar fugas de gas, es importante realizar una prueba de detección de fugas antes de utilizar el asador por primera vez, así como cada vez que conecte o desconecte una conexión y cada vez que realice el mantenimiento de rutina.

DESMTAJE PARCIAL DE LA BARBACOA PARA UNA PRUEBA DE DETECCIÓN DE FUGAS

Con el fin de llevar a cabo la prueba de detección de fugas, es necesario tener acceso a las válvulas de gas, lo que requerirá algo de desmontaje sencillo de la barbacoa.

Asegúrese de que la barbacoa esté apagada

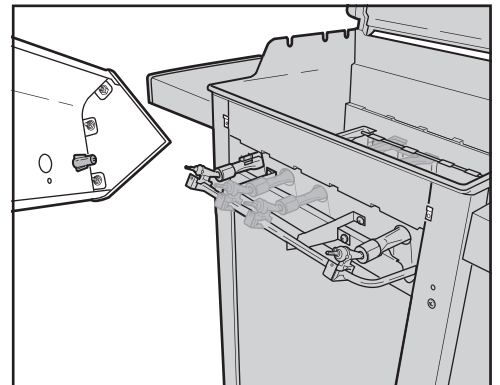
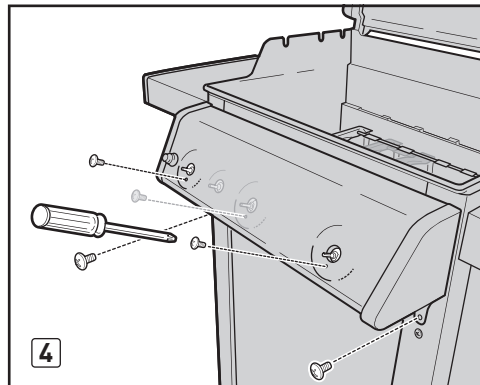
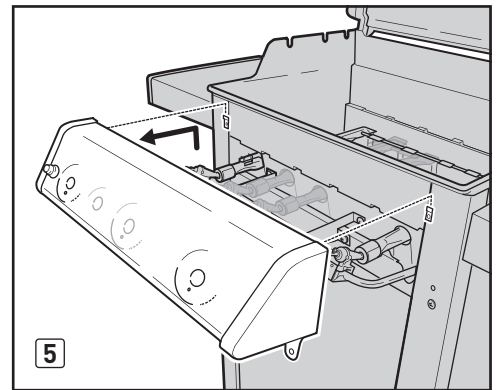
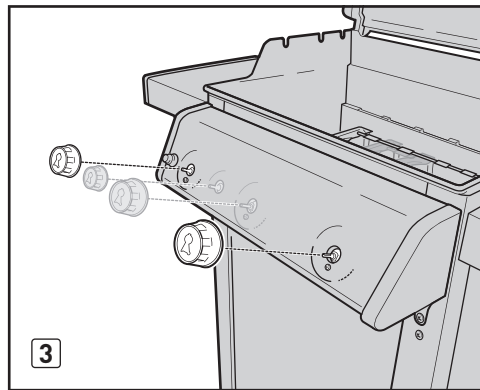
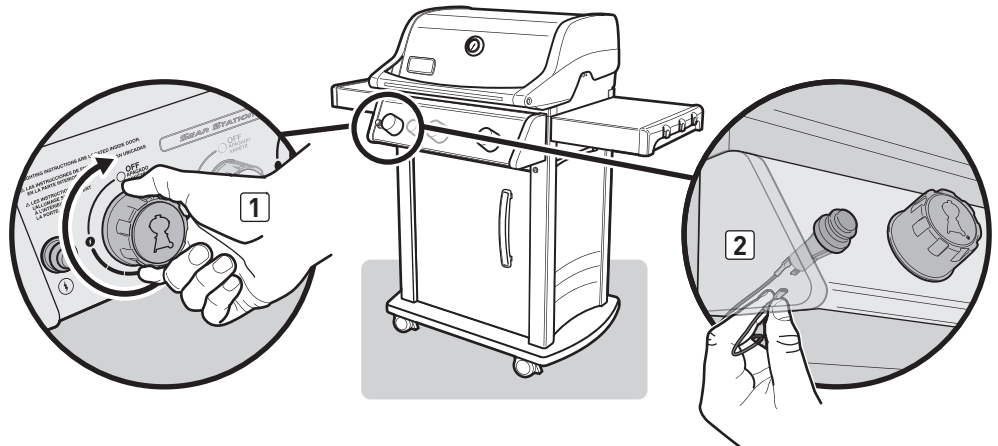
- A) Cierre el suministro de gas en la fuente.
- B) Revise que **TODAS** las perillas de control de los quemadores estén en la posición (O) apagada **(1)**. Las perillas de control se despachan en la posición (O) apagada, pero usted debe comprobarlo para asegurarse de que estén apagadas. Verifíquelo presionando las perillas de control y girándolas en sentido horario. Si no giran, están cerradas. Si sí giran, siga girándolas en sentido horario hasta que se detengan; entonces estarán apagadas. Si la barbacoa cuenta con un quemador lateral, asegúrese de que la perilla de control del mismo esté en la posición apagada.

Retire el panel de control

Usted necesitará: Un destornillador Phillips.

- A) Desconecte los dos cables del botón de encendido situados en la parte inferior del panel de control **(2)**.
NOTA: Hale de los terminales en los extremos de los cables.
- B) Retire las perillas de control **(3)**.
- C) Retire los tornillos de la parte delantera del panel de control con un destornillador Phillips **(4)**.
- D) Levante con cuidado el panel de control y luego hágelo hacia adelante y en dirección contraria al bastidor **(5)**.

La barbacoa ahora está lista para la prueba de detección de fugas. Consulte la sección "PRUEBAS DE DETECCIÓN DE FUGAS DE GAS."



PREPARACIÓN PARA USAR LA BARBACOA

⚠ PELIGRO

No utilice una llama abierta para comprobar si existen fugas de gas. Asegúrese de que no haya chispas o llamas abiertas en el área mientras comprueba si existen fugas. Las chispas o llamas causarán un fuego o explosión, las cuales pueden causar graves lesiones corporales o la muerte, y daños a la propiedad.

⚠ **ADVERTENCIA:** Las conexiones de gas de la barbacoa de gas han sido probadas en la fábrica. Le recomendamos inspeccionar todas las conexiones de gas antes de operar la barbacoa de gas.

⚠ **ADVERTENCIA:** Lleve a cabo estos chequeos de fugas incluso si la barbacoa ha sido ensamblada por el distribuidor o en la tienda.

⚠ **ADVERTENCIA:** Cada vez que conecte o desconecte una conexión de gas, deberá verificar que no haya fugas de gas.

NOTA: Todas las conexiones hechas en la fábrica han sido revisadas a fondo para detectar fugas de gas y los quemadores han sido probados con la llama encendida. Como medida de precaución, sin embargo, usted debería comprobar todas las conexiones para detectar fugas antes de utilizar la barbacoa de gas Weber®. Durante el manejo y transporte puede haberse aflojado o dañado alguna conexión de gas.

PRUEBAS DE DETECCIÓN DE FUGAS DE GAS

Usted necesitará: Una botella de spray o una brocha o un trapo y una solución de agua y jabón. (Puede preparar su propia solución de jabón y agua mezclando 20% de jabón líquido con 80% de agua; o, puede comprar una solución de detección de fugas en la sección de plomería de cualquier ferretería).

A) Abra el suministro de gas en la fuente (1).

⚠ **ADVERTENCIA:** No encienda los quemadores mientras esté verificando la existencia de fugas.

B) Para comprobar si hay fugas, moje las conexiones con la solución de jabón y agua, utilizando una botella de spray, una brocha o un trapo. Si se forman burbujas, o si una burbuja crece, es que hay una fuga. Aplique la solución de jabón y agua a las siguientes conexiones:

- Conexión de la manguera reguladora a la mampara (2).
- Conexión de la manguera corrugada del múltiple a la mampara (3).
- Conexión de la manguera corrugada del múltiple al múltiple (4).

⚠ **ADVERTENCIA:** Si hubiese una fuga en una conexión (2, 3, o 4), cierre el gas, vuelva a apretar la conexión con una llave y con la solución de agua y jabón vuelva a verificar que no haya fugas de gas. Si una fuga persiste aún después de volver a apretar la conexión, cierre el gas. **NO OPERE LA BARBACOA.** Contacte al Representante de Servicios al Cliente en su área utilizando la información de contacto en nuestro sitio web. Conéctese a www.weber.com.

- Conexión del regulador al tanque (5).
- Conexión de la manguera reguladora al regulador (6).
- Conexiones de las válvulas al múltiple (7).

⚠ **ADVERTENCIA:** Si hubiese una fuga en las conexiones (5, 6 o 7), cierre el gas. **NO OPERE LA BARBACOA.** Contacte al Representante de Servicios al Cliente en su área utilizando la información de contacto en nuestro sitio web. Conéctese a www.weber.com.

C) Cuando se haya completado la comprobación de las fugas de gas, cierre el suministro de gas en la fuente y enjuague las conexiones con agua.

NOTA: Dado que algunas soluciones para la detección de fugas, incluyendo el agua y jabón, pueden ser ligeramente corrosivas, todas las conexiones deberán enjuagarse con agua después de realizar las pruebas de detección de fugas.

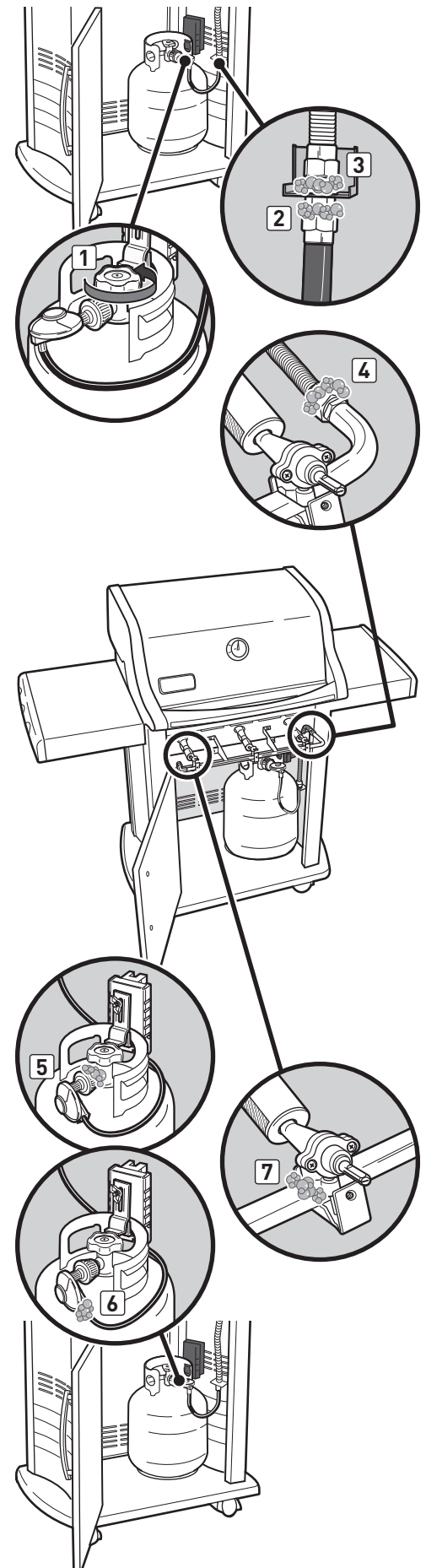
Vuelva a instalar el panel de control

Usted necesitará: Un destornillador Phillips.

- Alinee los vástagos de las válvulas con los agujeros en el panel de control. Coloque el borde superior del panel de control sobre las pestañas del ensamble del bastidor. Empuje hacia abajo el panel de control para que encaje en su lugar.
- Fije el panel de control con los tornillos.
- Coloque las perillas de control en los vástagos de las válvulas.
- Conecte los cables al botón de encendido.

⚠ **ADVERTENCIA:** Asegúrese de que todas las piezas estén ensambladas y que todos los herrajes estén completamente apretados antes de operar la barbacoa. Si no llegase a acatar esta advertencia, sus acciones podrían causar un fuego, una explosión o una falla estructural que podrían resultar en lesiones corporales graves o la muerte o daños materiales.

Ahora ya está listo para usar la barbacoa.



CONSEJOS Y RECOMENDACIONES

- Siempre precaliente la barbacoa antes de cocinar en la misma. Ajuste todos los quemadores a fuego alto y cierre la tapa; precaliente durante 10 a 15 minutos, o hasta que el termómetro registre 500° - 550°F (260° - 290°C).
- La temperatura de la barbacoa de gas puede alcanzar temperaturas más calientes de lo normal durante los primeros usos.
- Los tiempos de las recetas de asado a la parrilla se basan en una temperatura exterior de 70°F (21°C) y con escaso o ningún viento. Permita un mayor tiempo de cocción en días fríos o de viento, o a mayores altitudes. Permita menos tiempo de cocción en climas extremadamente calurosos.
- Las condiciones de asado a la parrilla pueden requerir el ajuste de los controles de los quemadores para obtener las temperaturas de cocción correctas.
- Para alimentos siempre perfectamente asados, dore la carnes y cocine con la tapa cerrada.
- El aglomerar alimentos sobre una parrilla de cocción trae consigo que más tiempo será necesario para cocinar los alimentos.
- Recorte el exceso de grasa de los bistecs, chuletas y asados, dejando apenas ¼ de pulgada (6,4 mm) de grasa. Menos grasa facilita la limpieza, y es una garantía casi absoluta contra las indeseadas llamaradas.
- Por lo general, las piezas de carne más grandes requerirán mayor tiempo de cocción por libra que las piezas más chicas.
- Algunos alimentos, tales como un guiso o un filete delgado de pescado, requerirán de un recipiente para asarlos. Las ollas desechables de lámina son muy convenientes, pero puede usarse cualquier olla de metal con asas resistentes al calor.
- Los alimentos asados dentro de recipientes, tales como judías en salsa de tomate, tomarán más tiempo si se cocinan en una cacerola profunda que en un molde de hornear poco profundo.
- Los alimentos colocados en la parrilla de cocción directamente encima de los quemadores pudieran requerir que se les dé la vuelta o que se les mueva a un área menos caliente.
- Use tenacillas en vez de un tenedor para dar la vuelta y manipular las carnes a fin de evitar perder los jugos naturales. Use dos espátulas para manipular un pescado grande entero.
- Asegúrese siempre de que la bandeja deslizante de grasa y el plato recolector de grasa estén limpios y libres de desechos.
- No forre la bandeja deslizante de grasa con papel de aluminio. Ello pudiera prevenir que la grasa fluya al plato recolector de grasa.
- Si llegase a presentarse una llamarada indeseada, apague todos los quemadores y mueva los alimentos a otra zona de la parrilla de cocción. Cualquier llama se apagará rápidamente. Una vez que las llamas se apaguen, vuelva a encender la parrilla. **JAMÁS USE AGUA PARA EXTINGUIR LAS LLAMAS EN UNA BARBACOA DE GAS.**
- El usar un temporizador le ayudará a alertarle cuando “bien cocido” esté a punto de convertirse en “sobre cocido”.

PRECALENTAMIENTO

Es importante precalentar la barbacoa antes de asar. Para precalentar: Encienda la barbacoa de gas de acuerdo con las instrucciones en la Guía del Propietario; luego gire todos los quemadores a la posición (4) de encendido/fuego alto, cierre la tapa y precaliente hasta que la temperatura alcance entre 500° y 550° F (260° y 290° C), la temperatura recomendada para asar. Esto tomará unos 10 a 15 minutos según tales condiciones como la temperatura del aire y el viento. Tras precalentar, puede ajustar los quemadores individuales según sus preferencias.

⚠ ADVERTENCIA: Si llegasen a apagarse los quemadores mientras esté operando la barbacoa, cierre todas las válvulas de gas. Abra la tapa y espere cinco minutos antes de tratar de volver a encender la barbacoa, siguiendo las instrucciones de encendido.

COCCIÓN CUBIERTA

Todo asado a la parrilla deberá realizarse con la tapa cerrada para proporcionar un calor uniforme y con una circulación pareja. Con la tapa cerrada, la barbacoa de gas cocinará de manera muy parecida a un horno de convección. El termómetro en la tapa indica la temperatura de cocción dentro del asador. Todo el precalentamiento y asado a la parrilla se realiza con la tapa cerrada. Nada de miraditas - se pierde calor cada vez que usted abre la tapa.

SISTEMA FLAVORIZER™

La tapa cerrada y las barras Flavorizer™ le dan a la comida ese sabor a “aire libre.” Cuando los jugos de carne chorrean de la comida a las barras Flavorizer™ colocadas a un ángulo especial, éstas crean un humo que le da a la comida una irresistible sazón a barbacoa. Gracias al diseño único de los quemadores, las barras Flavorizer™ y los flexibles controles de temperatura, los fogonazos descontrolados han sido virtualmente eliminados, pues USTED controla las llamas.

PRINGUES Y GRASA

Debido al especial diseño de las barras Flavorizer™ y de los quemadores, las grasas en exceso bajan por la bandeja deslizante de grasa al plato captador. Hay disponibles bandejas de goteo desechables que encajan dentro del plato captador.

Para más sugerencias y recetas de asados, visite www.weber.com.

LA SEGURIDAD PRIMERO

Es una buena idea entrar en el hábito de realizar unos cuantos chequeos de seguridad antes de empezar a asar a la parrilla.

La seguridad debe ser considerada cuando se está decidiendo dónde colocar y operar la barbacoa. Asegúrese de leer las siguientes advertencias antes de instalar o de usar la barbacoa.

ADVERTENCIAS:

- ⚠ Utilice esta barbacoa solamente en un área bien ventilada al aire libre. No la utilice en un garaje, edificio, pasadizo techado o en cualquier otra área cerrada.
- ⚠ La barbacoa de gas Weber® no debe utilizarse debajo de un techo combustible.
- ⚠ La barbacoa de gas Weber® no ha sido diseñada para instalarse en o sobre vehículos o botes recreativos.
- ⚠ No utilice la barbacoa a menos de 24 pulgadas (61 cm) de distancia de materiales combustibles. Esto incluye las partes superiores, inferiores, posteriores y laterales de la barbacoa.
- ⚠ Mantenga el área de cocinar libre de vapores y líquidos inflamables tales como gasolina, alcohol, etc. y materiales combustibles.
- ⚠ La caja de cocción entera se calienta al usarse. No la toque.
- ⚠ No mueva la barbacoa de gas Weber® mientras esté en operación o esté caliente.
- ⚠ Mantenga las aperturas de ventilación de la cabina del tanque libres de cualquier obstrucción o basura.

Cuando se esté aprestando para empezar a asar a la parrilla, su primer pensamiento debe ser siempre la seguridad. Los siguientes son algunos controles de seguridad que debe realizar cada vez que ase a la parrilla.

BANDEJA DESLIZANTE DE GRASA

La barbacoa fue construida con un sistema de captación de grasa, que conduce la grasa lejos de alimentos y a recipientes desmontables.

Cada vez que vaya a usar la barbacoa, compruebe que no se haya acumulado grasa en la bandeja deslizante de grasa. Elimine el exceso de grasa con una espátula de plástico (1). Lave la bandeja de grasa con una solución de agua y jabón y enjuague con agua.

⚠ **PRECAUCIÓN:** No forre la bandeja deslizante de grasa con papel de aluminio.

PLATO RECOLECTOR Y BANDEJA DE GOTEO DESECHABLE

La grasa proveniente de la bandeja de grasa deslizante pasa a un plato recolector. La limpieza del plato recolector es tan importante como la limpieza de la bandeja de grasa deslizante.

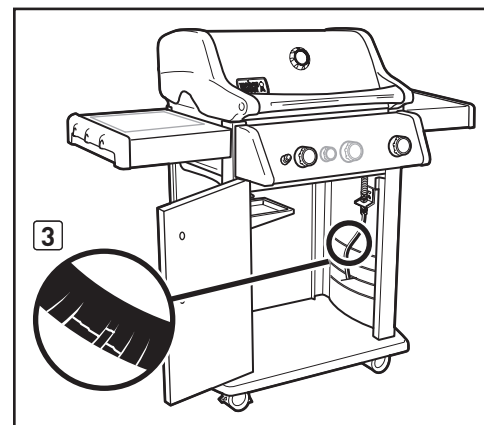
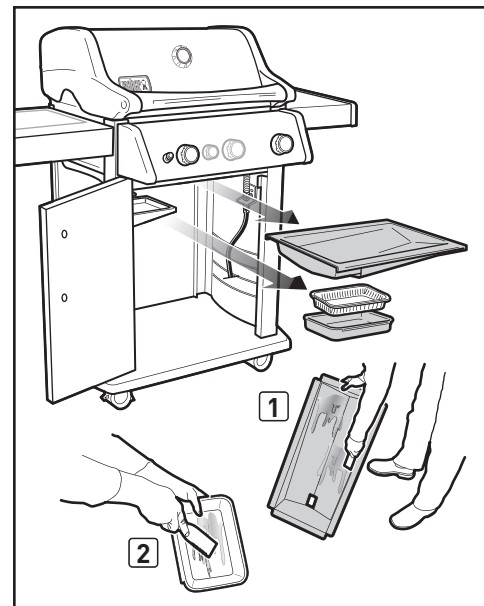
Cada vez que vaya a usar la barbacoa, compruebe que no se haya acumulado grasa en el plato recolector. Elimine el exceso de grasa con una espátula de plástico (2). Lave el plato recolector con agua jabonosa y enjuague con agua limpia. Para mantener el plato recolector limpio durante más tiempo, se puede cubrir el mismo con una bandeja de goteo Weber® desechable o con papel de aluminio.

⚠ **ADVERTENCIA:** Cada vez que vaya a usar la barbacoa, compruebe que no se haya acumulado grasa ni en la bandeja de grasa deslizante ni el plato recolector. Elimine cualquier exceso de grasa para evitar un incendio. Un incendio de grasa puede causar lesiones corporales graves o daños materiales.

INSPECCIÓN DE LA MANGUERA

Se debe inspeccionar la manguera para detectar cualquier señal de agrietamiento (3).

⚠ **ADVERTENCIA:** Cada vez que vaya a usar la barbacoa, inspeccione la manguera y asegúrese de que no tenga muescas, grietas, abrasiones o cortes. Si se encontrase que la manguera estuviese dañada de cualquier manera, no utilice la barbacoa. Reemplácela utilizando solamente una manguera de repuesto autorizada por Weber®. Contacte al Representante de Servicios al Cliente en su área utilizando la información de contacto en nuestro sitio web. Conéctese a www.weber.com.



MÉTODOS DE ENCENDIDO DEL QUEMADOR

Hay dos formas de encender el quemador 1. La primera es mediante el uso del sistema de encendido electrónico Crossover™ incorporado en su barbacoa. La segunda es con un cerillo.

A continuación se indican los pasos para encender la barbacoa con el sistema de encendido electrónico Crossover™. En la página siguiente se encuentran los pasos para encender la barbacoa con un cerillo.

Instrucciones resumidas para el encendido se encuentran dentro de la puerta del gabinete.

ENCENDIDO DE LOS QUEMADORES PRINCIPALES

Sistema de encendido electrónico Crossover™

El sistema de encendido electrónico Crossover™ enciende el quemador 1 mediante una chispa proveniente del electrodo del encendedor ubicado dentro de la cámara de encendido Gas Catcher™. Usted genera la energía de la chispa al pulsar el botón del encendedor. Oirá al encendedor chisporrotear. El (los) quemador(es) 2 (y 3) puede(n) encenderse después de que el quemador 1 se haya encendido.

A) Abra la tapa de la barbacoa (1).

⚠ PELIGRO

El no abrir la tapa mientras se estén encendiendo los quemadores de la barbacoa, o no esperar cinco minutos para que el gas se disipe si la barbacoa no se enciende, puede resultar en una llamarada explosiva, la cual puede causar lesiones corporales graves o la muerte.

B) Asegúrese de que **TODAS** las perillas de control de los quemadores estén apagadas (2). Verifíquelas presionando las perillas de control y girando en sentido horario hasta el tope.

⚠ **ADVERTENCIA:** Las perillas de control de los quemadores deberán estar en la posición (O) apagada antes de abrir la válvula del tanque de propano licuado. Si no están en la posición (O) apagada, cuando abra la válvula del tanque de propano licuado se activará el “control de flujo excesivo de gas” y limitará el flujo de gas proveniente del tanque de propano licuado. Si esto llegase a ocurrir, cierre la válvula del tanque de propano licuado y las perillas de control del quemador. Comience de nuevo.

⚠ PELIGRO

Quando se activa el “control de flujo excesivo de gas”, una pequeña cantidad de gas sigue fluyendo a los quemadores. Después de cerrar la válvula del tanque de propano licuado y las perillas de control de los quemadores, espere por lo menos cinco minutos para que el gas se disipe antes de tratar de encender la barbacoa. El no hacer esto podría resultar en una llamarada explosiva que puede causar lesiones corporales graves o la muerte.

C) Para activar el tanque LP, gire lentamente la válvula del tanque en contra de las manecillas del reloj y espere 60 segundos (3).

D) Presione la perilla de control del quemador 1 y gírela hacia la izquierda a la posición (⚡) de encendido/fuego alto (4). **IMPORTANTE: Siempre encienda el quemador 1 primero. Los demás quemadores se encienden a partir del quemador 1.**

E) Pulse y sostenga presionado el botón de encendedor (5). Oirá al encendedor chisporrotear.

F) Verifique que el quemador 1 esté encendido viendo a través de las parrillas de cocción. Deberá ver una llama.

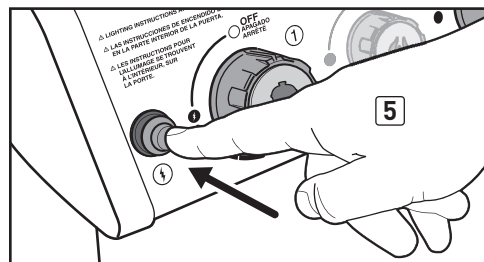
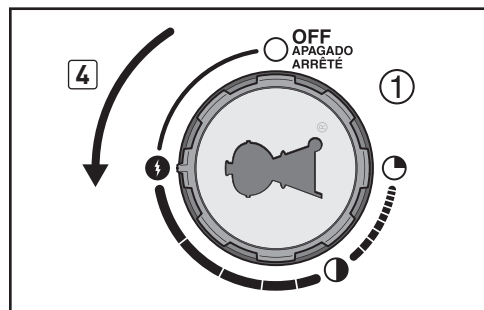
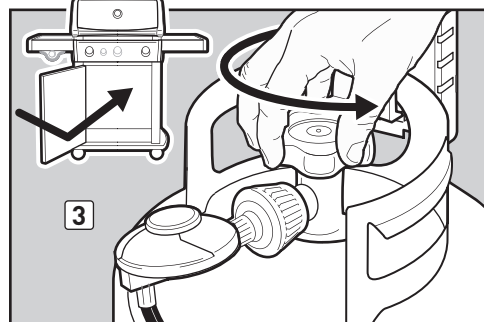
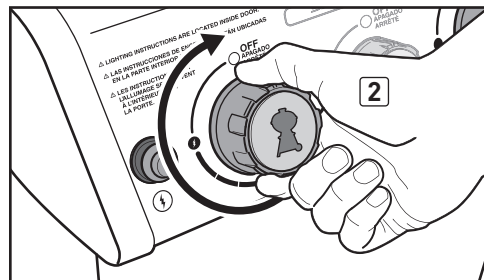
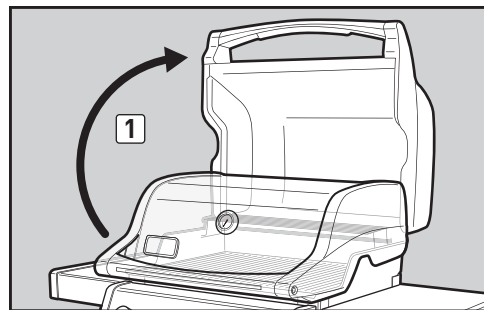
⚠ **ADVERTENCIA:** Mientras enciende la barbacoa o cocina, nunca se incline sobre la barbacoa abierta.

⚠ **ADVERTENCIA:** Si el quemador 1 no llegase a encenderse en el lapso de cinco segundos, pare, cierre la perilla de control del quemador y espere cinco minutos para permitir que el gas se disipe antes de volver a intentarlo o encender la barbacoa con un cerillo.

G) Una vez que el quemador 1 se haya encendido, puede encender el quemador 2 (y el quemador 3).

PARA APAGAR EL QUEMADOR

Presione cada perilla de control del quemador y gire en sentido horario a la posición (O) apagada. Cierre el suministro de gas en la fuente del mismo.



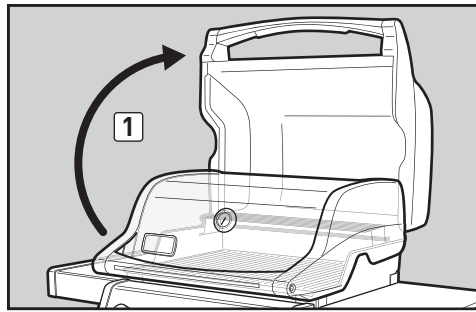
ENCENDIDO Y USO DEL QUEMADOR PRINCIPAL

Encendido con un cerillo

A) Abra la tapa de la barbacoa (1).

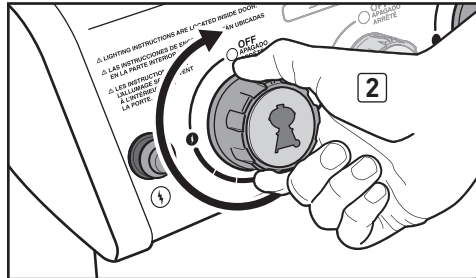
⚠ PELIGRO

El no abrir la tapa mientras se estén encendiendo los quemadores de la barbacoa, o no esperar cinco minutos para que el gas se disipe si la barbacoa no se enciende, puede resultar en una llamarada explosiva, la cual puede causar lesiones corporales graves o la muerte.



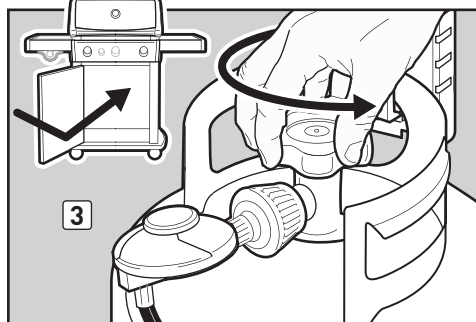
B) Asegúrese de que **TODAS** las perillas de control de los quemadores estén apagadas (2). Verifíquelo presionando las perillas de control y girando en sentido horario hasta el tope.

⚠ **ADVERTENCIA:** Las perillas de control de los quemadores deberán estar en la posición (O) apagada antes de abrir la válvula del tanque de propano licuado. Si no están en la posición (O) apagada, cuando abra la válvula del tanque de propano licuado se activará el “control de flujo excesivo de gas” y limitará el flujo de gas desde el tanque de propano licuado. Si esto llegase a ocurrir, cierre la válvula del tanque de propano licuado y las perillas de control del quemador. Comience de nuevo.



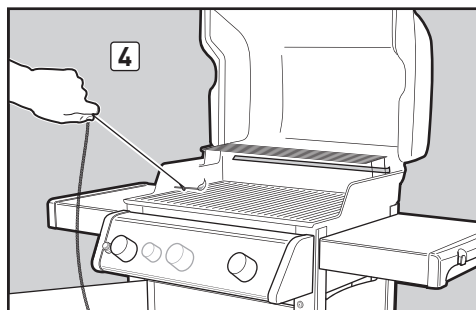
⚠ PELIGRO

Cuando se activa el “control de flujo excesivo de gas”, una pequeña cantidad de gas sigue fluyendo a los quemadores. Después de cerrar la válvula del tanque de propano licuado y las perillas de control de los quemadores, espere por lo menos cinco minutos para que el gas se disipe antes de tratar de encender la barbacoa. El no hacer esto podría resultar en una llamarada explosiva que puede causar lesiones corporales graves o la muerte.



C) Para activar el tanque LP, gire lentamente la válvula del tanque en contra de las manecillas del reloj y espere 60 segundos (3).

D) Coloque un cerillo en el portacerillos y enciéndalo. Inserte el portacerillos a través de las parrillas de cocción, pasando las barras Flavorizer™, hasta quedar al lado del quemador 1 (4).

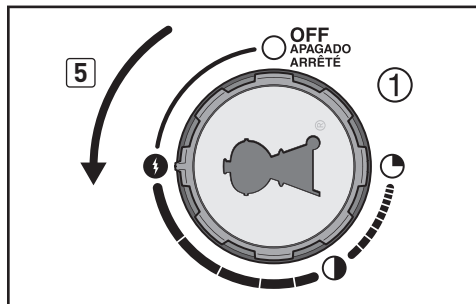


E) Presione la perilla de control del quemador 1 y gírela hacia la izquierda a la posición (⚡) de encendido/fuego alto (5). **IMPORTANTE:** Siempre encienda el quemador 1 primero. Los demás quemadores se encienden a partir del quemador 1.

F) Verifique que el quemador 1 esté encendido viendo a través de las parrillas de cocción. Deberá ver una llama.

⚠ **ADVERTENCIA:** Mientras enciende la barbacoa o cocina, nunca se incline sobre la barbacoa abierta.

⚠ **ADVERTENCIA:** Si el quemador 1 no llegase a encenderse en el lapso de cinco segundos, pare, cierre la perilla de control del quemador y espere cinco minutos para permitir que el gas se disipe antes de volver a intentarlo.



G) Una vez que el quemador 1 se haya encendido, puede encender el quemador 2 (y el quemador 3).

PARA APAGAR EL QUEMADOR

Presione cada perilla de control del quemador y gire en sentido horario a la posición (O) apagada. Cierre el suministro de gas en la fuente del mismo.

Algunas baterías cuentan con un envoltorio protector de plástico alrededor de ellas. Este plástico debe ser retirado antes de intentar encender el asador. No confunda este plástico con la etiqueta de la batería.

RESOLUCIÓN DE PROBLEMAS

SOLUCIÓN DE PROBLEMAS GENERALES

PROBLEMAS	SOLUCIONES
<p>Los quemadores no se encienden.</p> <p>Los quemadores presentan una llama pequeña y parpadeante cuando las perillas de control están en la posición (1) de fuego alto.</p> <p>La temperatura de la barbacoa sólo alcanza 250 ° a 300 ° F en la posición (1) de fuego alto.</p>	<p>Puede haberse activado el dispositivo de "control de flujo excesivo de gas," el cual es parte de la conexión de la barbacoa al tanque. Para restablecer el dispositivo de "control de flujo excesivo de gas," consulte "ENCENDIDO DEL QUEMADOR PRINCIPAL."</p> <p>⚠ PELIGRO: Cuando se activa el dispositivo de "control de flujo excesivo de gas," una pequeña cantidad de gas sigue fluyendo a los quemadores. Después de cerrar la válvula del tanque de gas propano licuado y las perillas de control de los quemadores, espere por lo menos cinco minutos para que el gas se disipe antes de tratar de encender la barbacoa. El no hacer esto podría resultar en una llamarada explosiva que puede causar lesiones corporales graves o la muerte.</p>
<p>El quemador no se enciende al pulsar el botón de encendido.</p>	<p>Asegúrese de que el gas fluya a los quemadores intentando encenderlos con un cerillo. Consulte la sección "ENCENDIDO DEL QUEMADOR PRINCIPAL - Encender con un cerillo." Si el encendido con un cerillo es exitoso, el problema está en el sistema de encendido. Consulte la sección "MANTENIMIENTO DEL SISTEMA ELECTRÓNICO DE ENCENDIDO CROSSOVER"</p> <p>Asegúrese de que los cables estén debidamente insertados dentro de los terminales en el módulo de encendido. Verifique que los cables están conectados a los terminales en el botón de encendido debajo del panel de control. Consulte la gráfica del "GUÍA DE CABLEADO DEL MÓDULO DEL ENCENDEDOR."</p> <p>Si se instala una batería nueva, confirmar que se ha retirado la envoltura de plástico de la batería. Verifique que la batería esté en buen estado e instalada correctamente. Consulte la sección "MANTENIMIENTO DEL SISTEMA ELECTRÓNICO DE ENCENDIDO CROSSOVER."</p>
<p>El quemador no enciende, o la llama está baja en la posición (1) de fuego alto.</p>	<p>El nivel de gas propano licuado en el tanque podría estar bajo o el mismo está vacío. Rellene el tanque de gas propano licuado.</p> <p>La manguera de combustible puede estar doblada o torcida. Enderece la manguera de combustible.</p>
<p>El quemador produce llamas con un patrón errático.</p> <p>La llama se mantiene baja cuando el quemador está en la posición (1) de fuego alto.</p> <p>Las llamas no corren a lo largo de todo el tubo del quemador.</p>	<p>Limpie los puertos del quemador que corren a lo largo de toda la longitud del tubo del quemador. Consulte la sección "LIMPIEZA DE LOS PUERTOS DEL TUBO DEL QUEMADOR".</p>
<p>Los quemadores queman con una llama amarilla o anaranjada, conjuntamente con un olor a gas.</p>	<p>Inspeccione las pantallas para arañas/insectos para detectar posibles obstrucciones. Limpie las pantallas para arañas/insectos. Consulte la sección "LIMPIEZA DE LAS PANTALLAS PARA ARAÑAS/INSECTOS".</p>
<p>Se producen llamaradas.</p> <p>⚠ PRECAUCIÓN: No forre la bandeja de grasa deslizante con papel de aluminio.</p>	<p>La parrilla debe precalentarse con todos los quemadores en alto por 10 a 15 minutos. Consulte la sección "PRECALENTAMIENTO DEL ASADOR".</p> <p>Limpie minuciosamente las rejillas para cocinar, las barras Flavorizer™ y la caja para cocinar para quitar la grasa. Consulte la sección "LIMPIEZA PARA RENDIMIENTO".</p> <p>La bandeja deslizante para grasa puede estar sucia y no permite que la grasa fluya hacia la bandeja de recolección. Limpie la bandeja deslizante para grasa. Consulte la sección "LIMPIEZA DEL SISTEMA ADMINISTRADOR DE GRASA".</p>
<p>La parte interna de la tapa pareciera estar "pelándose." (Se parece al desprendimiento de pintura).</p>	<p>La parte interna de la tapa es de esmalte de porcelana o de acero inoxidable. No está pintada. No puede "pelarse." Lo que está viendo es grasa asada que se ha convertido en carbón y se está descascarando. ESTO NO ES UN DEFECTO. Limpie a fondo. Consulte la sección "LIMPIEZA DE LA TAPA".</p>

Si los problemas no pueden corregirse usando cualquiera de estos métodos, por favor contacte al Representante de Atención al Cliente en su área usando la información de contacto en nuestro sitio web. Conéctese a www.weber.com.

MANTENIMIENTO ENTRE LA COCCIÓN DE ALIMENTOS

Limpiar su asador de gas cada vez que asa a la parrilla es un paso esencial que mantendrá su asador con un rendimiento superior por muchos años. A continuación lo orientaremos con instrucciones paso por paso para limpiar su asador antes de cada comida para asegurar que sus alimentos siempre se cocinen perfectos. Para una limpieza más profunda, consulte la sección de mantenimiento anual.

El plan de mantenimiento Comida-a-Comida incluye los siguientes tres y sencillos pasos esenciales que debe seguir siempre y antes de usar el asador.

MANTENIMIENTO DEL SISTEMA ADMINISTRADOR DE GRASA

El primer paso en nuestro plan de mantenimiento Comida-a-Comida es inspeccionar el sistema de administración de grasa. Su asador se construyó con un sistema de administración de grasa que consiste de una bandeja deslizable para grasa y una bandeja de recuperación. La grasa se encausa hacia la bandeja deslizable para grasa y hacia la bandeja de recuperación.

Necesitará: Un raspador de plástico.

- A) Confirme que el asador esté apagado y frío.
- B) Extraiga la bandeja deslizable para grasa al jalarla fuera del gabinete. Quite el exceso de grasa con un raspador de plástico (1).

⚠ PRECAUCIÓN: No cubra la bandeja deslizable para grasa con papel aluminio.

- C) Extraiga la bandeja de recuperación. Levante la bandeja desechable de goteo de la bandeja de recuperación (2). Revise que no exista una cantidad excesiva de grasa. Descarte la bandeja desechable de goteo cuando sea necesario y replácela con una nueva.

⚠ ADVERTENCIA: Revise la bandeja deslizable para grasa y la bandeja de recuperación para ver si tienen acumulación de grasa antes de cada uso. Quite el exceso de grasa para evitar que se prenda la grasa. Un incendio de grasa puede ocasionar graves lesiones corporales o daño a la propiedad.

PRECALENTAMIENTO DEL ASADOR

El precalentamiento de su asador es el segundo paso. El calor quema o afloja los trozos o piezas de la comida anterior.

- A) Abra la tapa del asador (3).
- B) Encienda su asador de acuerdo a las instrucciones de encendido en esta guía o en la parte interna de la puerta o la mesa lateral de su asador de gas.
- C) Cierre la tapa.
- D) Encienda todos los quemadores en la posición start/high (iniciar/nivel alto) por 15 minutos o hasta que el termómetro marque entre 500° y 550°F (260° - 290°C) para precalentar el asador (4).
- E) Una vez que el asador esté precalentado, continúe con la limpieza de las rejillas para cocinar como se describe a continuación.

⚠ ADVERTENCIA: Use guantes resistentes al calor o guantes al operar el asador.

LIMPIEZA DE LA REJILLA PARA COCINAR

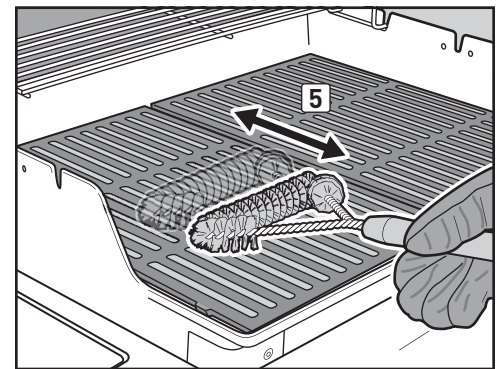
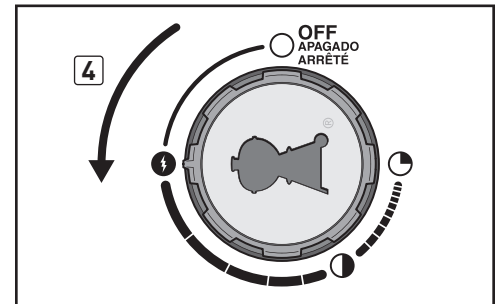
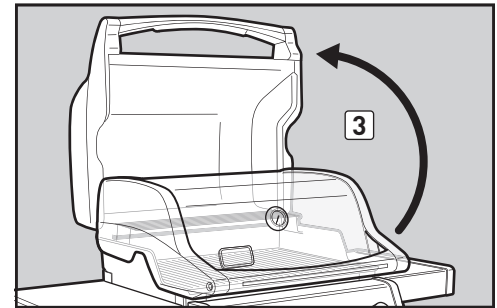
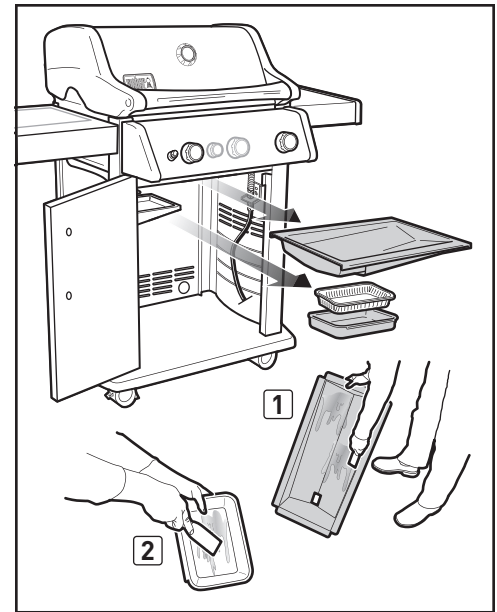
Finalmente, el último paso es cepillar los residuos de la(s) rejilla(s) para cocinar calientes.

Necesitará: Un cepillo para parrilla con cerdas de acero inoxidable.

- A) Inmediatamente después del precalentado, cepille las rejillas con un cepillo para asador con cerdas de acero inoxidable (5). Este paso no es solamente para la limpieza, sino que también evita que la comida se pegue.

⚠ PRECAUCIÓN: Debe revisar regularmente los cepillos para parrilla para verificar que no tengan cerdas sueltas o desgaste excesivo. Remplace el cepillo si encuentra cerdas sueltas sobre las rejillas para cocinar o el cepillo. Weber recomienda comprar un cepillo nuevo para parrilla de acero inoxidable al inicio de cada primavera.

Si usted nota que su parrilla tiene espacios calientes o fríos, o que las llamas no están ardiendo en color azul, entonces tendrá que realizar una limpieza más profunda de los tubos del quemador. Consulte la sección "LIMPIEZA PARA SEGURIDAD" para ver más detalles.



LIMPIEZA DE LOS TUBOS DEL QUEMADOR

Con el tiempo y el uso constante, su asador puede mostrar síntomas de que necesita una limpieza más meticulosa. Algunos de estos síntomas son:

- La parrilla no alcanza la temperatura deseada
- La parrilla no se calienta uniformemente
- Uno o más quemadores no encienden
- Olor a gas y un patrón de llama no adecuado

Estos síntomas surgen debido a que los tubos del quemador necesitan cuidado adicional. Es esencial limpiar los tubos del quemador para que su asador tenga un rendimiento seguro y eficiente como desde el primer día.

⚠ PELIGRO

No corregir cualquiera de los problemas descritos en esta página puede resultar en incendio, lo cual puede ocasionar lesiones corporales graves o la muerte; además puede ocasionar daños a la propiedad.

Dos zonas clave para un desempeño óptimo de los tubos del quemador son los puertos (pequeñas aberturas que corren a lo largo de la longitud de los tubos del quemador) y las pantallas para arañas e insectos ubicadas en los extremos de los tubos del quemador. Mantener limpias estas áreas es esencial para una operación segura.

Los tubos del quemador en su asador Weber están programado de fábrica con la mezcla correcta de aire y gas. Cuando los tubos del quemador se están desempeñando correctamente, usted verá un patrón específico de la llama. Puede que las puntas parpadeen color amarillo (1), con una luz descendiente azul claro (2) hasta llegar a una llama azul oscuro (3). Si las llamas no concuerdan con la descripción del patrón de llama de arriba, esto puede ser un indicativo de que los puertos del quemador y/o las pantallas para arañas/insectos necesitan limpiarse.

A continuación incluimos información importante sobre el mantenimiento de estos dos componentes claves de los tubos del quemador.

LIMPIEZA DE LOS PUERTOS DEL TUBO DEL QUEMADOR

Con el tiempo y con el uso repetido de la parrilla, los puertos del tubo del quemador (4) pueden ensuciarse y bloquearse. Los puertos bloqueados y sucios pueden restringir el flujo total de gas. Esta obstrucción puede resultar en un incendio (5) en y alrededor de las válvulas de gas, esto puede ocasionar daños graves a su asador.

Síntomas comunes de puertos bloqueados o sucios pueden incluir:

- La parrilla no alcanza la temperatura deseada
- La parrilla no se calienta uniformemente
- Uno o más quemadores no encienden
- Olor a gas conjuntamente con algunos o todos los puertos sin encenderse

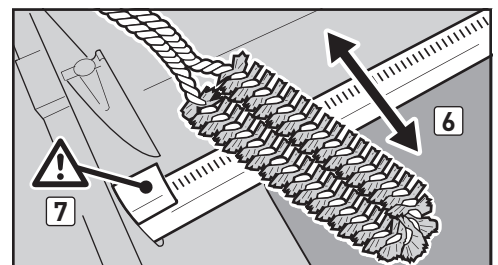
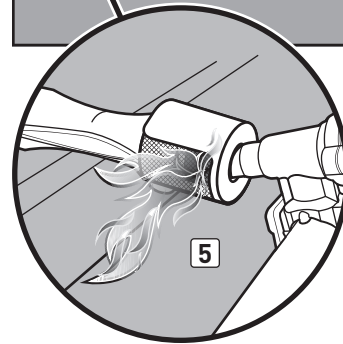
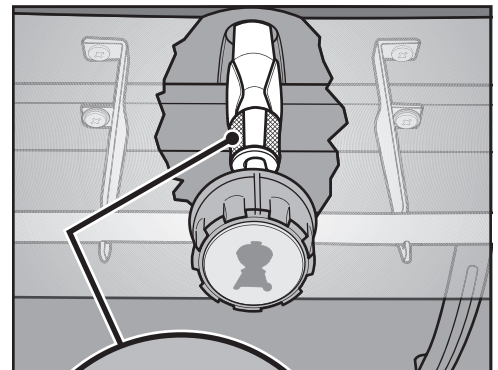
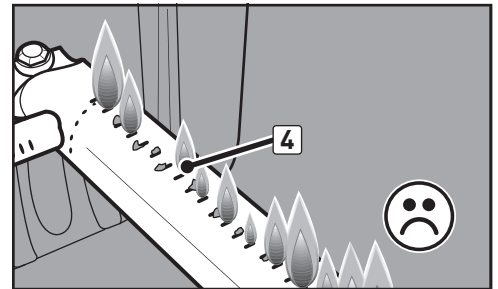
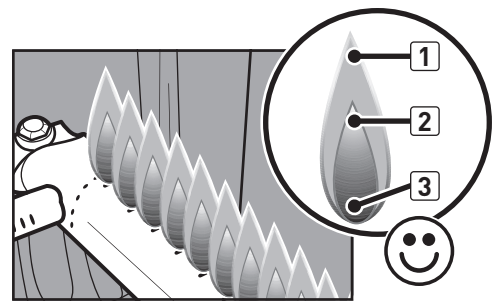
Nota: Los síntomas anteriores también pueden ser una señal de que la opción de "control de flujo de gas en exceso" se ha activado. Consulte la sección "ENCENDIDO DEL QUEMADOR PRINCIPAL" para restablecer el dispositivo de seguridad de flujo en exceso.

Necesitará: Un cepillo para parrilla con cerdas de acero inoxidable limpio. No utilice un cepillo que se haya usado para limpiar las rejillas para cocinar.

- Confirme que el asador esté apagado y frío.
- Retire las rejillas para cocinar y las barras Flavorizer™.
- Utilice el cepillo para limpiar la parte externa de los tubos del quemador y el tubo(s) Crossover™ (6). No cepille a lo largo del tubo, ya que esto empujará los restos desde un orificio hacia otro. Tenga en cuenta que los tubos del quemador se moverán lentamente, como si estuvieran flojos, pero esto es normal.
- Al limpiar el tubo del quemador 1, evite dañar el electrodo de encendido al cepillar cuidadosamente alrededor del mismo (7).

⚠ PRECAUCIÓN: No alargue los puertos del tubo del quemador y no use objetos afilados para limpiar los puertos individualmente.

- Continúe con la limpieza de las pantallas para arañas/insectos.



LIMPIEZA DE LAS PANTALLAS PARA ARAÑAS/INSECTOS

Las aberturas de aire para la combustión de los tubos del quemador (1) están equipadas con pantallas de acero inoxidable para ayudar a evitar que las arañas y otros insectos construyan telarañas y nidos dentro de la sección Venturi (estrecha) (2) de los tubos del quemador. Estos nidos pueden obstruir el flujo normal del gas, y pueden hacer que el gas fluya de regreso hacia las aberturas de aire de combustión (3). Esta obstrucción puede resultar en un incendio (4) en y alrededor de las válvulas de gas, esto puede ocasionar daños graves a su asador. Además, el polvo y los residuos se pueden acumular en la parte externa de la pantalla para arañas/insectos y obstruir el flujo de oxígeno del tubo del quemador.

Los síntomas de que la pantalla para arañas/insectos está obstruida incluyen:

- Olor de gas junto con llamas del quemador amarillentas y relajadas.

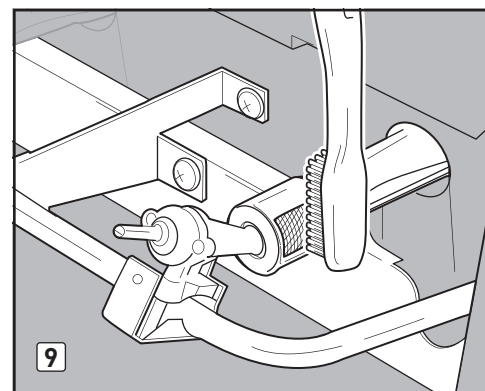
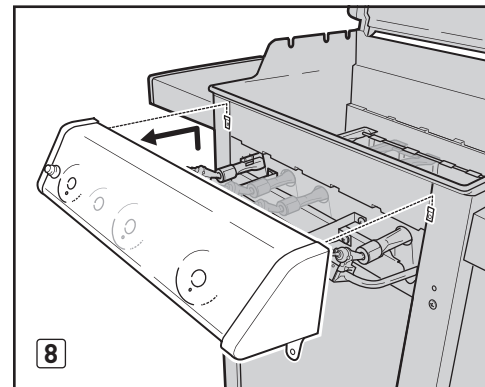
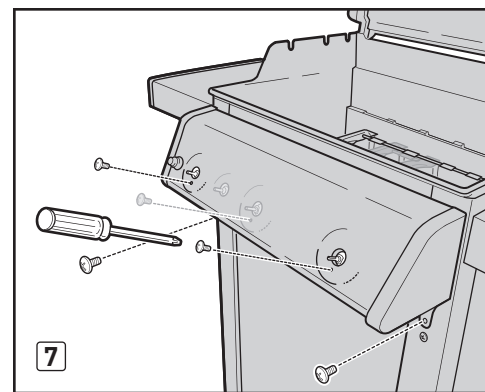
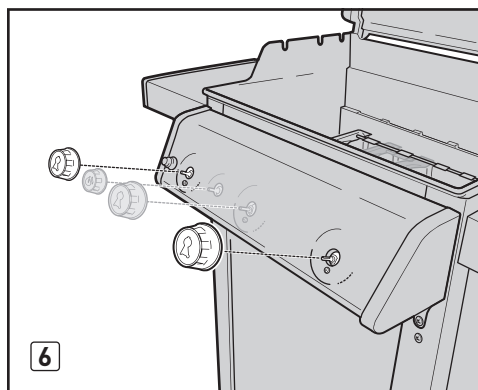
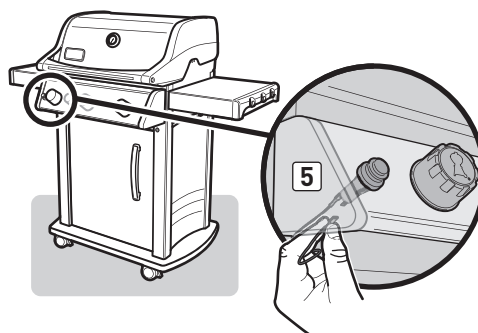
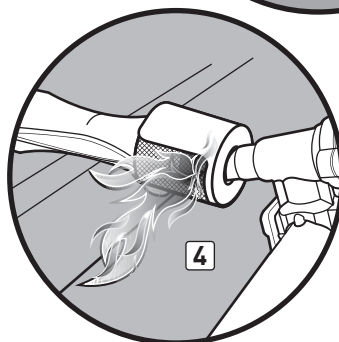
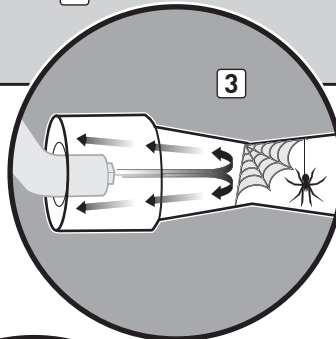
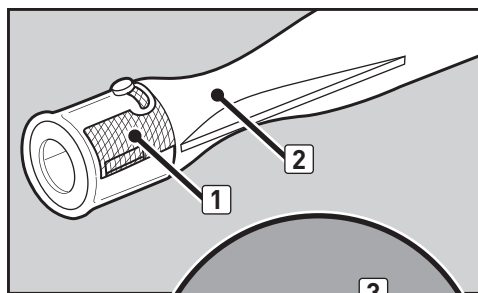
Necesitará: Un destornillador estrella, cepillo de cerdas suaves (cepillo de dientes).

- Desconecte los dos alambres del botón de encendido ubicados en la parte inferior del panel de control (5).
NOTA: Jale de las terminales de los extremos de los alambres.
 - Quite las perillas de control (6).
 - Quite los tornillos de la parte frontal del panel de control con un desatornillador estrella (7).
 - Levante con cuidado el panel de control hacia arriba y luego jale hacia delante lejos de la llama (8).
 - Revise las pantallas para arañas/insectos de los extremos de los tubos del quemador y límpielas usando el cepillo de cerdas suaves (9).
- Vuelva a instalar el panel de control al alinear los vástagos de la válvula con los orificios en el panel de control. Coloque la orilla superior del panel de control sobre las lengüetas del conjunto de la estructura. Empuje hacia abajo el panel de control en su posición.
 - Sujete el panel de control con tornillos.
 - Coloque las perillas de control sobre los vástagos de la válvula.
 - Conecte los alambres al botón de encendido.

- ⚠ PRECAUCIÓN: No limpie las pantallas para arañas/insectos con herramientas duras o filosas. No desplace las pantallas para arañas/insectos ni alargue las aberturas de la pantalla.**
- ⚠ ADVERTENCIA: Asegúrese que todas las partes estén bien montadas y que apretó totalmente todos los herrajes antes de poner en funcionamiento el asador. Sus acciones, o la falta de no seguir esta advertencia del producto, pueden ocasionar incendios, una explosión o falla estructural que pueden resultar en graves lesiones personales o la muerte al igual que daños a la propiedad.**

LLAMADAS AL SERVICIO AL CLIENTE

Si usted sigue experimentando cualquier síntoma después de limpiar los puertos del quemador y las pantallas para arañas, póngase en contacto con el Representante de servicio al cliente en su área usando la información de contacto en su sitio web. Visite www.weber.com.



MANTENIMIENTO PREVENTIVO

Con el tiempo, el rendimiento de su asador puede disminuir si no se le ha dado el mantenimiento adecuado. Los posibles efectos secundarios de una limpieza y mantenimiento mediocre son las bajas temperaturas, calor irregular y que los alimentos se peguen a las rejillas para cocinar. La limpieza desde la parte superior a la inferior de su asador asegurará que todas las áreas vitales se limpien minuciosamente siempre y en todo momento.

El mantenimiento preventivo consiste de limpiar varias áreas en la parte interna del asador al igual que en el exterior. Cuando su asador está **apagado y frío**, empiece a limpiar la parte interna desde arriba hacia abajo para que su asador funcione con el mayor rendimiento.

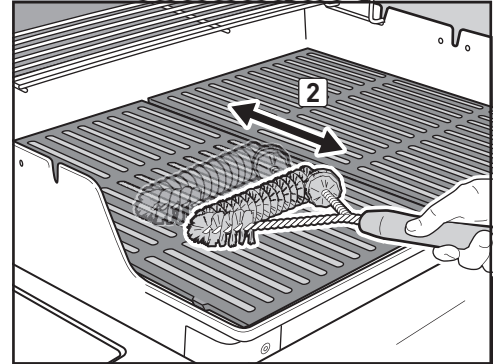
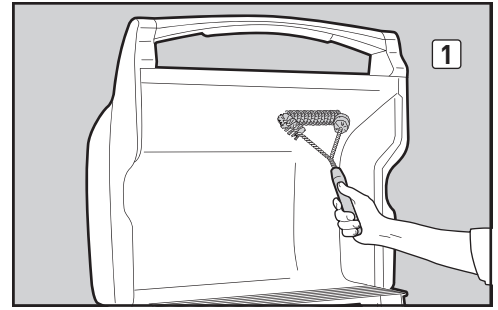
⚠ ADVERTENCIA: Apague su asador de gas Weber® y espere a que se enfríe antes de dar una limpieza profunda.

LIMPIEZA DE LA TAPA

De vez en cuando puede notar hojuelas "como de pintura" en la parte interna de la tapa. Durante el uso, la grasa y los vapores del humo se transforman lentamente en carbón y se depositan dentro de su tapa. Este depósito se descapelará eventualmente y es muy similar a la pintura. Estos depósitos no son tóxicos, pero las hojuelas pueden caer sobre sus alimentos si no limpia la tapa regularmente.

Necesitará: Un cepillo para asador con cerdas de acero inoxidable, toallas de papel.

A) Cepille la grasa carbonizada de la parte interna de la tapa con un cepillo para asador con cerdas de acero inoxidable (1). Para minimizar la acumulación en el futuro, puede limpiar la parte interna de la tapa con una toalla de papel después de cocinar cuando el asador esté tibio (no caliente).



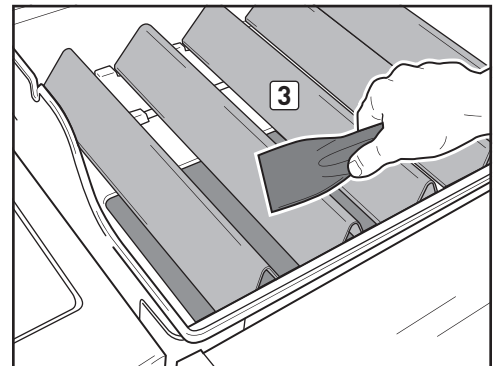
LIMPIEZA DE LAS REJILLAS PARA COCINAR

Si usted ha estado limpiando sus rejillas para cocinar como se recomendó en el plan de Mantenimiento entre comidas, los residuos sobre sus rejillas serían mínimos.

Necesitará: Un cepillo para parrilla con cerdas de acero inoxidable.

A) Con las rejillas instaladas, cepille y quite los residuos de su rejilla para cocinar con un cepillo para asador con cerdas de acero inoxidable (2).

⚠ PRECAUCIÓN: Debe revisar regularmente los cepillos para parrilla para verificar que no tengan cerdas sueltas o desgaste excesivo. Reemplace el cepillo si encuentra cerdas sueltas sobre las rejillas para cocinar o el cepillo. Weber recomienda comprar un cepillo nuevo para parrilla de acero inoxidable al inicio de cada primavera.



B) Saque las rejillas y la repisa de calentamiento. (No las coloque sobre las mesas laterales del asador ya que pueden rayar la pintura o el acero inoxidable).

LIMPIEZA DE LAS BARRAS FLAVORIZER™

Con el ángulo adecuado, las barras Flavorizer™ capturan el goteo del sabor que el humo y chisporroteo agregan a sus alimentos. Cualquier goteo que no se evapora por las barras Flavorizer™ después del final de la pendiente angulada se canaliza lejos de los tubos del quemador. Esto no solamente ayuda a evitar los brotes de llamas dentro de su asador, sino que también protege y evita que los tubos del quemador se tapen.

Necesitará: Un raspador de plástico, cepillo para parrilla con cerdas de acero inoxidable.

A) Raspe las barras Flavorizer™ con el raspador de plástico (3).
 B) De ser necesario, cepille las barras Flavorizer™ con el cepillo para asador con cerdas de acero inoxidable.
 C) Quite las barras Flavorizer™ y colóquelas a un lado. (No las coloque sobre las mesas laterales del asador ya que pueden rayar la pintura o el acero inoxidable).

⚠ PRECAUCIÓN: No limpie las barras Flavorizer™ ni las rejillas para cocinar en un lavabo, lavadora de platos o en un horno de limpieza automática.

⚠ PRECAUCIÓN: Con el tiempo se pueden presentar superficies ásperas sobre las barras Flavorizer™. Se recomienda el uso de guantes durante su manejo.

Para obtener bandejas de goteo desechables, parrillas de cocción y barras Flavorizer™, póngase en contacto con el Representante de Servicio al Cliente en su área usando la información de contacto en nuestra página web. Conéctese a www.weber.com.

LIMPIEZA DE LOS TUBOS DEL QUEMADOR

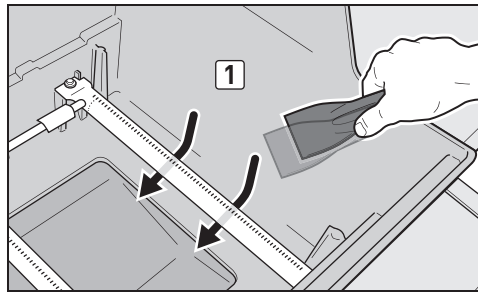
Mantener los tubos del quemador limpios es esencial para un rendimiento óptimo. Consulte las páginas anteriores para ver cómo limpiar los puertos del tubo del quemador y las pantallas para arañas/insectos.

LIMPIEZA DE LA CAJA PARA COCINAR

Busque dentro de la caja para cocinar para ver si existe acumulación de grasa o partículas de restos de comida. La acumulación excesiva puede ocasionar incendios.

Necesitará: Un raspador de plástico.

- A) Utilice un raspador de plástico para raspar los restos de los costados y del fondo del asador y diríjalos hacia el fondo de la caja para cocinar (1). Esta apertura canaliza los restos hacia la bandeja deslizable para grasa.

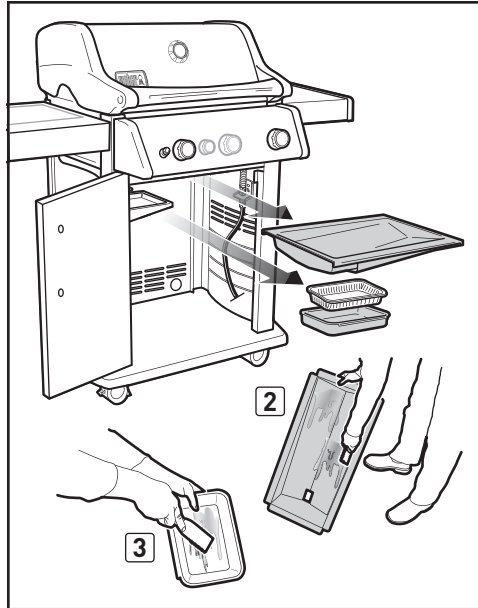


LIMPIEZA DEL SISTEMA ADMINISTRADOR DE GRASA

Su asador se construyó con un sistema de administración de grasa que consiste de una bandeja deslizable para grasa y una bandeja de recuperación. La grasa se encausa hacia la bandeja deslizable para grasa y hacia la bandeja de recuperación.

Necesitará: Un raspador de plástico, toalla de papel.

- A) Extraiga la bandeja deslizable para grasa al jalarla fuera del gabinete. Quite el exceso de grasa con un raspador de plástico (2). Si lo desea, limpie el exceso con una toalla de papel.
- B) Extraiga la bandeja de recuperación. Levante la bandeja desechable de goteo de la bandeja de recuperación y descártela (3). Remplácela con una nueva bandeja desechable de goteo.



- ⚠ ADVERTENCIA:** Revise la bandeja deslizable para grasa y la bandeja de recuperación para ver si tienen acumulación de grasa antes de cada uso. Quite el exceso de grasa para evitar que se prenda la grasa. Un incendio de grasa puede ocasionar graves lesiones corporales o daño a la propiedad.

- ⚠ PRECAUCIÓN:** No cubra la bandeja deslizable para grasa con papel aluminio.

LIMPIEZA DE LA PARTE EXTERNA DEL ASADOR

La parte externa de su asador puede incluir acero inoxidable, esmalte porcelanizado y superficies de plástico. Weber recomienda los siguientes métodos dependiendo del tipo de superficie.

Superficies de acero inoxidable

Limpie el acero inoxidable utilizando un limpiador no tóxico y no abrasivo para acero inoxidable o bien con un pulidor diseñado para productos o asadores de uso externo. No se arriesgue en rayar su acero inoxidable con pastas abrasivas que no limpian o pulen sino que cambian el color del metal al eliminar el óxido de cromo de la capa del recubrimiento superior. No utilice toallas de papel.

Necesitará: Un paño de microfibras, limpiador para acero inoxidable.

- A) Rocíe el limpiador sobre las áreas de acero inoxidable del asador. Con el paño de microfibra limpie en dirección de la veta del acero inoxidable.

Superficies pintadas, con esmalte porcelanizado y componentes plásticos

Limpie las superficies pintadas, con esmalte porcelanizado y las superficies plásticas en la parte exterior de su asador con una solución tibia de agua con jabón.

Necesitará: Solución tibia de agua con jabón, toallas de papel o paño.

- A) Limpie las superficies con una solución tibia de agua con jabón. Enjuague y seque minuciosamente.

- ⚠ IMPORTANTE:** Nunca utilice lo siguiente para limpiar su asador: pulidores o pinturas para acero inoxidable abrasivos, limpiadores con ácido, aguarrás, xileno, limpiadores para hornos, limpiadores abrasivos (limpiadores para la cocina), y estropajos abrasivos de limpieza.

LIMPIEZA EXTERIOR DE ASADORES EN UN MEDIO AMBIENTE EXTRAORDINARIO

Si su asador está expuesto a un medio ambiente particularmente riguroso, entonces le conviene limpiar el exterior con mayor frecuencia. La lluvia ácida, las sustancias químicas de piscinas y el agua salada pueden dar una apariencia de una superficie oxidada. Limpie las superficies externas de su asador con una solución tibia de agua con jabón. Continúe con un enjuague y seque minuciosamente. Adicionalmente, pudiera aplicar un limpiador de acero inoxidable semanalmente para evitar el óxido en la superficie.

ALMACENAJE Y/O FALTA DE USO

Para las barbacoas que hayan estado almacenadas o hayan estado sin utilizarse durante un tiempo, es importante seguir estas pautas:

- La válvula de gas en el tanque de propano licuado debe mantenerse cerrada mientras la barbacoa de gas Weber® esté sin usarse.
- Si va a guardar la barbacoa de gas Weber® en un lugar cerrado, primero desconecte el suministro de gas y almacene el tanque de gas propano licuado al aire libre en un espacio bien ventilado.
- No almacene un tanque de gas propano licuado desconectado en una edificación, garaje o cualquier otra área cerrada.
- Si no desconecta el tanque de gas propano licuado de la barbacoa de gas Weber®, asegúrese de mantener tanto la barbacoa y el tanque al aire libre en un área bien ventilada.
- Antes de usar, se deberá verificar que la barbacoa de gas Weber® no tenga fugas de gas ni obstrucciones en los tubos de los quemadores. (Consulte "LIMPIEZA PARA SEGURIDAD.")
- Asegúrese de que el área debajo del panel de control y la bandeja inferior no tengan desechos que pudiesen obstruir el flujo de aire de combustión o de ventilación.
- También deberá revisarse que la malla contra arañas e insectos no esté obstruida. (Consulte la sección de "LIMPIEZA PARA SEGURIDAD").

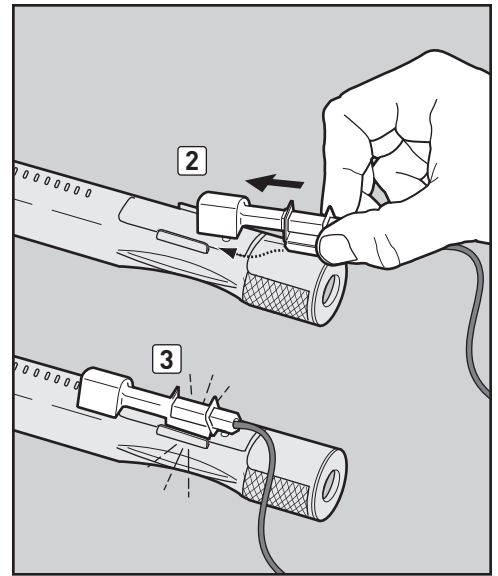
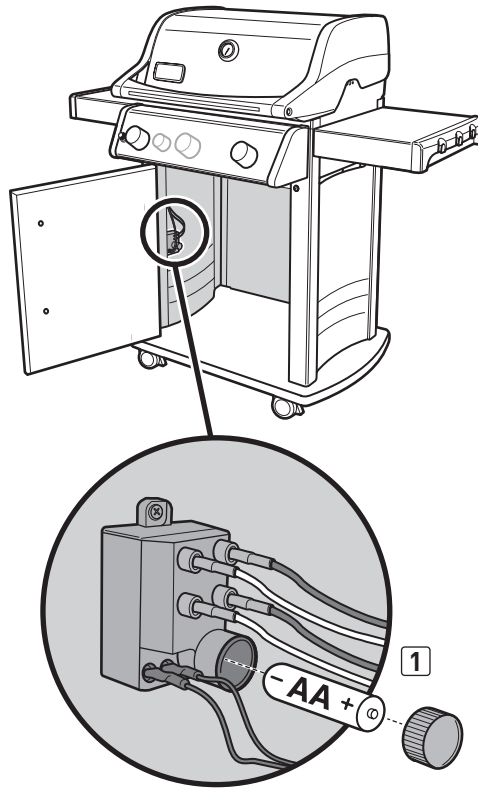
MANTENIMIENTO DEL SISTEMA DE ENCENDIDO

MANTENIMIENTO DEL SISTEMA DE ENCENDIDO ELECTRÓNICO CROSSOVER™

El módulo de encendido suministra energía eléctrica al sistema de encendido electrónico Crossover™ y al quemador lateral con un botón de encendido. Ya sea que usted esté realizando un mantenimiento de rutina o llevando a cabo un chequeo para la resolución de un problema en el sistema de encendido, lea lo siguiente para mantener el sistema de encendido funcionando correctamente.

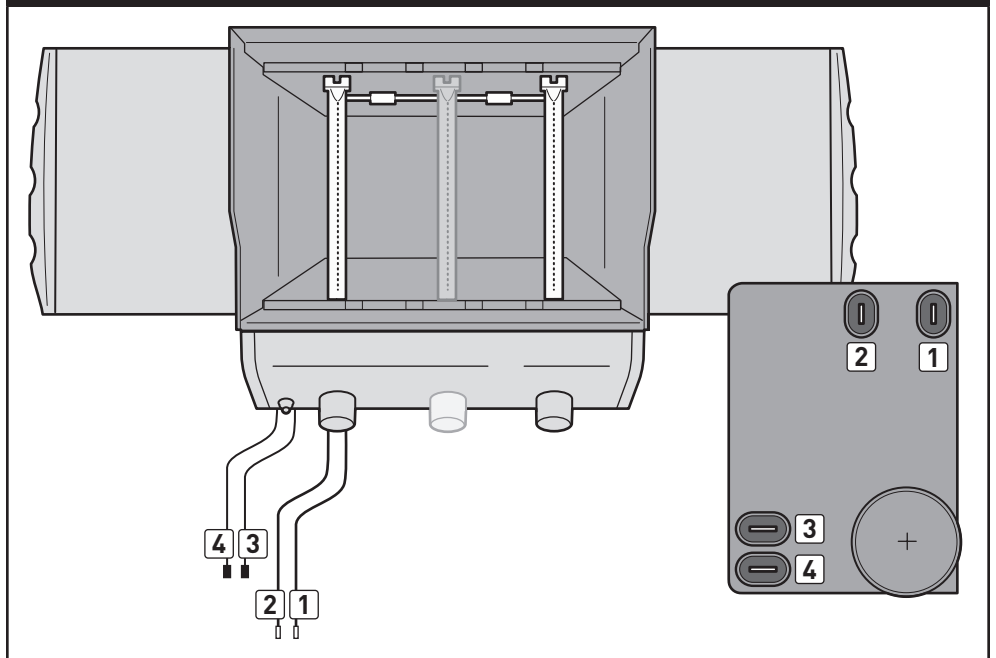
Si el sistema de encendido electrónico Crossover™ no llegase a encender, tendrá que determinar dónde se origina el problema: con el flujo de gas o con el sistema de encendido electrónico. Comience tratando de encender los quemadores con un cerillo. Consulte la sección "ENCENDIDO DEL QUEMADOR PRINCIPAL - Encender con un cerillo". Si el encendido con un cerillo es exitoso, el problema está en el sistema de encendido.

- Verifique que la batería AA (sólo alcalinas) esté en buen estado e instalada correctamente **(1)**. Algunas baterías cuentan con un envoltorio protector de plástico alrededor de ellas. Este plástico debe ser quitado antes de instalar la batería. No confunda este plástico con la etiqueta de la batería.
- Asegúrese de que los cables de encendido estén correctamente conectados al módulo de encendido. Consulte la gráfica del "GUÍA DE CABLEADO DEL MÓDULO DEL ENCENDEDOR" en esta página.
- Asegúrese de que el conjunto de cerámica del encendedor esté completamente insertado en el canal de encendido del tubo del quemador **(2)**. Si se introduce correctamente, oírás un chasquido **(3)**.
- Asegúrese de que el botón del encendido electrónico esté funcionando prestando atención de si hace "clic" y viendo si se están produciendo chispas en el quemador.



Si el sistema de encendido electrónico Crossover™ no logra aún encender el quemador, contacte al Representante de Servicio a los Clientes en su región usando la información de contacto en nuestro sitio web. Conéctese a www.weber.com.

GUÍA DE CABLEADO DEL MÓDULO DEL ENCENDEDOR (E-210™ / E-310™ / SP-310™)



QUEMADOR 1	BOTÓN DE ENCENDIDO
Terminal negro (1)	Terminal negro (3)
Terminal amarillo (2)	Terminal negro (4)

APÉNDICE A LA GUÍA DEL PROPIETARIO DEL ASADOR A GAS

El apéndice se aplica solo a los clientes en México. Para efectos de esta guía de propietario, el término “Barbacoa,” se refiere a un asador de gas.

Debe leer esta guía del propietario antes de poner a funcionar el asador de gas.

⚠ PELIGRO:

Si huele a gas:

- 1) Cierre el suministro de gas al artefacto.
- 2) Apague todas las flamas cerrando la válvula general de paso.
- 3) Abra la tapa.
- 4) No accione interruptores eléctricos.
- 5) Llame inmediatamente a la central de fugas o a su proveedor de gas.
- 6) Una fuga de gas puede provocar un incendio o explosión que puede resultar en lesiones corporales serias o la muerte, o daños a la propiedad.

⚠ ADVERTENCIA:

- No almacene gasolina u otros fluidos inflamables en la cercanía de su aparato.
- Ningún cilindro de gas que no esté conectado para su uso deberá almacenarse cerca de éste o cualquier otro artefacto doméstico.
- No obstruir la salida de los gases de combustión del asador.
- No debe utilizarse como calefactor de ambiente.
- Mantener los alrededores del aparato libres de materiales combustibles, gasolina y otros vapores o líquidos inflamables.

⚠ ADVERTENCIA:

Este aparato no debe ser utilizado como calentador de ambiente, sólo se debe utilizar para cocinar alimentos.

⚠ ADVERTENCIA:

Estos productos trabajan a una presión de 2,75 kPa.

Spirit™ E-210™; Spirit™ S-210™		Spirit™ E-310™; Spirit™ SP-310™	
2 Quemadores Principales de: 13 980 kJ/h		3 Quemadores Principales de: 11 254 kJ/h	
Spirit™ E-330™; Spirit™ SP-330™			
3 Quemadores Principales de: 11 254 kJ/h			
1 Quemador Sellador de: 7 912 kJ/h			
1 Quemador Lateral de: 12 661 kJ/h			

⚠ ATENCIÓN: A este producto se le han realizado pruebas de seguridad y ha sido certificado para usarse en un país específico. Refiérase al país indicado en la parte externa del cartón de empaque.

Estas partes pueden ser componentes que transporten gas o lo quemem. Por favor póngase en contacto con el Departamento de Atención al Cliente de Weber-Stephen Products LLC para obtener información sobre las partes de repuesto Weber-Stephen Products LLC genuinas.

⚠ ADVERTENCIA: No trate de realizar reparación alguna a los componentes que transporten o quemem gas sin antes ponerse en contacto con el Departamento de Atención al Cliente de Weber-Stephen Products LLC. Si no llegase a acatar esta advertencia, sus acciones podrían causar un fuego o una explosión que resulte en lesiones personales serias o la muerte o daños a la propiedad.



WEBER-STEPHEN PRODUCTS LLC
www.weber.com

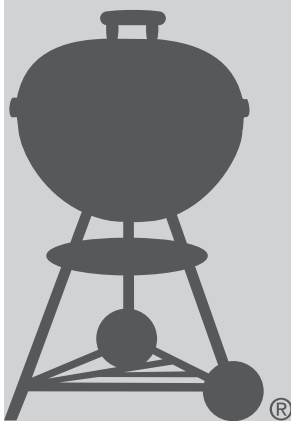


SPIRIT™

GUIDE DU PROPRIÉTAIRE DU BARBECUE

ENREGISTRER VOTRE BARBECUE

Merci d'avoir acheté un barbecue Weber®. Prenez quelques minutes pour protéger votre investissement en enregistrant votre barbecue en ligne sur www.weber.com. Utilisez le numéro de série présent sur la page de couverture de ce guide du propriétaire.



E-210™ · S-210™ · E-310™ · SP-310™ LP

VOUS DEVEZ LIRE CE MODE D'EMPLOI AVANT
D'UTILISER VOTRE GRILL A GAZ.

⚠ DANGER

S'il y a une odeur de gaz :

- 1) Coupez l'admission de gaz de l'appareil.
- 2) Éteindre toute flamme nue.
- 3) Ouvrir le couvercle.
- 4) Si l'odeur persiste, éloignez-vous de l'appareil et appelez immédiatement le fournisseur de gaz ou le service d'incendie.

Une fuite de gaz risque de provoquer un incendie ou une explosion susceptible d'occasionner des blessures graves, voire mortelles, ou des dégâts matériels.

Suivez toutes les procédures de détection des fuites de ce manuel avec soin avant d'utiliser le barbecue. Faites-le même si le barbecue a été assemblé par le revendeur.

⚠ AVERTISSEMENT

- 1) Ne pas entreposer ni utiliser de l'essence ni d'autres vapeurs ou liquides inflammables dans le voisinage de l'appareil, ni de tout autre appareil.
- 2) Une bouteille de propane qui n'est pas raccordée en vue de son utilisation, ne doit pas être entreposée dans le voisinage de cet appareil ou de tout autre appareil.

N'allumez pas cet appareil sans lire d'abord les sections traitant de L'ALLUMAGE DU BRULEUR de ce manuel.

CET APPAREIL A GAZ EST CONCU POUR UNE UTILISATION À L'EXTERIEUR UNIQUEMENT.

NOTE A L'INTENTION DE L'INSTALLATEUR : les présentes instructions doivent être remises au propriétaire et le propriétaire devrait les conserver pour les utiliser plus tard.



48615

FC - FRENCH CANADIAN

⚠ DANGER

Le fait de ne pas respecter les consignes intitulées DANGER, MISE EN GARDE et ATTENTION contenues dans ce Mode d'emploi risque d'entraîner des blessures graves voire un décès, ou risque de provoquer un incendie ou une explosion à l'origine de dégâts matériels.

WARNINGS:

- ⚠ Un assemblage incorrect du grill peut s'avérer dangereux. Veuillez suivre attentivement les instructions pour l'assemblage.
- ⚠ N'utilisez pas ce grill tant que toutes les pièces ne sont pas en place. Le grill doit être correctement assemblé conformément aux instructions d'assemblage.
- ⚠ Votre grill à gaz Weber® ne devrait jamais être utilisé par des enfants. Les pièces accessibles du grill peuvent atteindre une température très élevée. Maintenez les jeunes enfants éloignés lorsque ce grill est utilisé.
- ⚠ Faites preuve de prudence lorsque vous utilisez votre grill à gaz Weber®. Il sera chaud pendant la cuisson ou le nettoyage, et il ne devrait jamais être laissé sans surveillance, ni déplacé pendant son fonctionnement.
- ⚠ N'utilisez pas de charbon de bois ou de pierres de lave dans votre grill à gaz Weber®.
- ⚠ Lorsque vous allumez le grill ou que vous cuisinez, ne vous penchez jamais au-dessus d'un grill ouvert.
- ⚠ Ne placez jamais les mains ou les doigts sur l'extrémité avant du boîtier de cuisson lorsque le grill est chaud ou que le couvercle du grill est ouvert.
- ⚠ Ne tentez pas de débrancher l'assemblage régulateur de gaz et tuyau ou tout autre raccord de gaz pendant que votre grill est en fonctionnement.
- ⚠ Utilisez des maniques ou des gants pour barbecue résistants à la chaleur lorsque vous utilisez le grill.
- ⚠ Utilisez l'assemblage régulateur de pression et tuyau qui est fourni avec votre grill à gaz Weber®.
- ⚠ Si les brûleurs s'éteignent alors que le grill est en marche, tournez toutes les valves de gaz pour les fermer. Ouvrez le couvercle puis patientez cinq minutes avant de tenter de rallumer le grill, en utilisant les instructions pour l'allumage.

- ⚠ N'utilisez pas le grill dans un rayon de 24 pouces de tous matériaux inflammables. Ceci inclut le haut, le bas, l'arrière ou les côtés du grill.
- ⚠ N'encastrez pas ce type de grill dans toute structure encastrée ou à glissière. Le fait d'ignorer cette MISE EN GARDE risquerait de provoquer un incendie ou une explosion susceptible d'entraîner des dégâts matériels et d'être à l'origine de blessures graves voire d'un décès.
- ⚠ Ne stockez pas un réservoir de propane liquide supplémentaire (de rechange) ou un réservoir de propane liquide débranché sous ou à proximité de ce grill.
- ⚠ Après une période de stockage et/ou d'inutilisation, le grill à gaz Weber® devrait faire l'objet d'une vérification des fuites de gaz et des obstructions des brûleurs avant utilisation. Voir les instructions du présent Mode d'emploi pour les procédures correctes.
- ⚠ N'utilisez pas le grill à gaz Weber® en cas de fuite de gaz.
- ⚠ N'utilisez pas une flamme pour détecter les fuites de gaz.
- ⚠ Ne placez pas une bâche sur le grill ni aucune matière inflammable dessus, ou à l'intérieur de la zone de stockage située sous le grill, lorsque le grill est en fonctionnement ou à haute température.
- ⚠ Le gaz propane liquide n'est pas du gaz naturel. La conversion ou la tentative d'utilisation de gaz naturel dans un appareil à gaz propane liquide ou de gaz propane liquide dans un appareil à gaz naturel est dangereuse et elle annulera votre garantie.
- ⚠ Maintenez tout cordon d'alimentation électrique ainsi que le tuyau d'alimentation en combustible éloignés de toutes surfaces à haute température.
- ⚠ N'élargissez pas les orifices de la valve ou les ports du brûleur lorsque vous nettoyez les valves ou les brûleurs.
- ⚠ Le grill à gaz Weber® devrait être régulièrement nettoyé de manière approfondie.
- ⚠ Un réservoir de propane liquide bosselé ou rouillé peut être dangereux et il devrait être inspecté par votre fournisseur de propane liquide. N'utilisez pas un réservoir de propane liquide avec une valve détériorée.
- ⚠ Bien que votre réservoir de propane liquide puisse sembler vide, il est possible qu'il contienne toujours du gaz, et le réservoir de PL devrait être transporté et stocké en conséquence.
- ⚠ Si vous voyez, sentez ou entendez le sifflement du gaz qui s'échappe du réservoir de propane liquide :
 1. Écartez-vous du réservoir de propane liquide.
 2. Ne tentez pas de corriger le problème vous-même.
 3. Appelez les pompiers.
- ⚠ En cas de feu de graisse, fermez tous les brûleurs et laissez le couvercle fermé jusqu'à ce que le feu s'éteigne.

MISES EN GARDE SUPPLÉMENTAIRES POUR L'ÉTAT DE CALIFORNIE :

- ⚠ Les sous-produits de combustion issus de l'utilisation de ce produit contiennent des agents chimiques reconnus par l'état de Californie comme étant à l'origine de cancer, de malformations congénitales ou d'autres troubles de la reproduction.
- ⚠ Mise en garde la Proposition 65 : La manipulation du cuivre présent dans ce produit vous expose au plomb, un agent chimique reconnu par l'état de Californie comme étant à l'origine de cancers, de malformations congénitales et d'autres troubles de la reproduction. (Lavez-vous les mains après avoir manipulé ce produit.)

Merci d'avoir acheté un produit Weber®. Weber-Stephen Products LLC, 1415 S. Roselle Road, Palatine, Illinois 60067 ("Weber") sont fiers d'offrir un produit sécuritaire, durable et fiable.

Celle-ci est la garantie volontaire de Weber qui vous est fournie sans frais supplémentaires. Elle contient les informations que vous aurez besoin d'avoir pour faire réparer le produit WEBER® dans le cas improbable d'une panne ou de défaillance.

Conformément aux lois applicables, le client dispose de plusieurs droits au cas où le produit serait défectueux. Ces droits comprennent le remboursement supplémentaire ou le remplacement, la réduction du prix d'achat et une rémunération. Dans l'Union européenne, par exemple, ce serait une garantie légale de deux ans à compter de la date de la remise du produit. Ces droits légaux et d'autres ne sont pas affectés par cette disposition de la garantie. En fait, cette garantie accorde des droits supplémentaires au propriétaire qui sont indépendants des dispositions légales de la garantie.

GARANTIE LÉGALE DE WEBER

Weber fournit à l'acheteur original du produit WEBER® (ou dans le cas d'un cadeau ou d'une situation promotionnel, la personne pour laquelle il a été acheté comme cadeau ou article promotionnel), que le produit WEBER® est exempt de défauts de matériaux et de fabrication pour la ou les périodes de temps spécifiées ci-dessous lorsqu'il est assemblé et utilisé conformément au Guide du propriétaire qui l'accompagne. [Remarque : Si vous perdez ou égarez votre Guide du propriétaire WEBER®, un remplacement est disponible en ligne à www.weber.com ou le site spécifique au pays auquel le propriétaire peut être redirigé.] Lorsque l'appareil est utilisé et entretenu de façon normale dans une maison privée unifamiliale ou un appartement, Weber s'engage à réparer ou remplacer les pièces défectueuses dans les délais, limitations et exclusions applicables énumérées ci-dessous. SELON CE QUI EST PERMIS PAR LA LOI APPLICABLE, CETTE GARANTIE S'APPLIQUE UNIQUEMENT À L'ACHETEUR ORIGINAL ET N'EST PAS TRANSFÉRABLE À DES PROPRIÉTAIRES ULTÉRIEURS, SAUF DANS LE CAS DE CADEAUX ET D'ARTICLES PROMOTIONNELS COMME INDIQUÉ PLUS HAUT.

RESPONSABILITÉS DU PROPRIÉTAIRE EN VERTU DE CETTE GARANTIE

Pour assurer une couverture de garantie sans problème, il est important (mais il n'est pas nécessaire) que vous enregistrez votre produit WEBER® en ligne à www.weber.com ou au site spécifique au pays auquel le propriétaire peut être redirigé. Si vous plaît, conservez également votre bon d'achat et/ou la facture original. L'enregistrement de votre produit WEBER® confirme la couverture de votre garantie et fournit un lien direct entre vous et Weber au cas où nous devrions vous contacter.

La garantie ci-dessus ne s'applique que si le propriétaire prend soin du produit WEBER® en suivant les instructions d'assemblage, d'utilisation et d'entretien préventif, comme indiqué dans le Guide du propriétaire qui l'accompagne, à moins que le propriétaire puisse prouver que le défaut ou la défaillance est indépendante du non-respect des obligations mentionnées ci-dessus. Si vous habitez dans une zone côtière, où que votre produit est situé près d'une piscine, l'entretien régulier comprend le lavage et le rinçage des surfaces extérieures comme indiqué dans le Guide du propriétaire l'accompagnant.

MANIPULATION SOUS GARANTIE / EXCLUSION DE GARANTIE

Si vous croyez que vous avez une pièce qui est couverte par cette garantie, s'il vous plaît contacter le Service à la clientèle de Weber en utilisant les informations de contact sur notre site web (www.weber.com) ou sur le site spécifique au pays auquel le propriétaire peut être redirigé. Weber, après enquête, réparera ou remplacera (à sa discrétion) la pièce défectueuse couverte par cette garantie. Dans le cas où la réparation ou le remplacement ne sont pas possibles, Weber peut choisir (à sa discrétion) de remplacer le barbecue en question par un nouveau barbecue de valeur égale ou supérieure. Weber peut vous demander de retourner les pièces pour l'inspection, frais d'expédition payés d'avance.

Cette GARANTIE devient caduque si il y a des dommages, détériorations, décolorations, et/ou de la rouille pour laquelle Weber n'est pas responsable causée par :

- L'abus, le mauvais usage, la modification, la mauvaise application, le vandalisme, la négligence, le montage ou l'installation incorrecte, et la négligence d'effectuer correctement l'entretien normal/troutinier;
- Les insectes (comme les araignées) et les rongeurs (comme les écureuils), y compris mais non limité aux dommages causés aux tubes du brûleur et/ou aux canalisations de gaz ;
- L'exposition à l'air salin et/ou aux sources de chlore telles que les piscines et les cuves thermales/Spas ;
- Conditions météorologiques extrêmes comme la grêle, les ouragans, les tremblements de terre, les tsunamis ou les marées de tempête, les tornades et les tempêtes sévères.

Les grills illustrés dans ce Mode d'emploi peuvent varier légèrement par rapport au modèle acheté.

L'utilisation et/ou l'installation de pièces sur votre produit WEBER® qui ne sont pas des pièces d'origine Weber annulera cette garantie, et les dommages qui en résultent ne sont pas couverts par cette garantie. Toute conversion d'un barbecue à gaz qui n'est ni autorisée par Weber et ni effectuée par un technicien agréé Weber annulera cette garantie.

PÉRIODES DE GARANTIE DU PRODUIT

Cuve de cuisson :
10 ans, contre la perforation par rouille/brûlage
(2 ans pour la peinture sauf dégradation ou décoloration)

Assemblage du couvercle :
10 ans, contre la perforation par rouille/brûlage
(2 ans pour la peinture sauf dégradation ou décoloration)

Tubes de brûleur en acier inox :
10 ans contre la perforation par rouille/brûlage

Grilles de cuisson en acier inoxydable :
5 ans contre la perforation par rouille/brûlage

Barres Flavorizer™ en acier inoxydable :
5 ans contre la perforation par rouille/brûlage

Grilles de cuisson en fonte émaillée :
5 ans contre la perforation par rouille/brûlage

Toutes les autres pièces :
2 ans

EXCLUSIONS

EN DEHORS DE LA GARANTIE ET DES EXCLUSIONS COMME DÉCRIT DANS CETTE DÉCLARATION DE GARANTIE, IL N'Y A AUCUNE AUTRE GARANTIE EXPLICITE OU DÉCLARATION VOLONTAIRE DE RESPONSABILITÉ DONNÉE ICI QUI DÉPASSENT LA RESPONSABILITÉ LÉGALE APPLICABLE À WEBER. AUSSI, CETTE DÉCLARATION DE GARANTIE NE LIMITE PAS OU N'EXCLUE PAS LES SITUATIONS OU RÉCLAMATIONS POUR LESQUELLES WEBER A UN RESPONSABILITÉ IMPÉRATIVE PRESCRITE PAR LA LOI.

AUCUNE GARANTIE NE S'APPLIQUE APRÈS LES PÉRIODES APPLICABLES DE LA PRÉSENTE GARANTIE. AUCUNES AUTRES GARANTIES ACCORDÉES PAR TOUTES PERSONNES OU ENTITÉS, Y COMPRIS UN CONCESSIONNAIRE OU DÉTAILLANT CONCERNANT LES PRODUITS (COMME TOUTES « GARANTIES PROLONGÉES »), NE LIENT WEBER. LE SEUL RECOURS DE CETTE GARANTIE EST LA RÉPARATION OU LE REMPLACEMENT DE LA PIÈCE OU DU PRODUIT.

EN AUCUN CAS LA RECOURVEMENT DE QUELQUE NATURE QUE CE SOIT NE SERA PLUS GRAND QUE LE MONTANT DU PRIX D'ACHAT DU PRODUIT QUE WEBER VOUS A VENDU.

VOUS ASSUMEZ LES RISQUES ET RESPONSABILITÉS POUR LA PERTE, LES DOMMAGES OU LES BLESSURES À VOUS ET VOTRE PROPRIÉTÉ ET/OU AUX AUTRES ET À LEURS BIENS DU FAIT DE L'UTILISATION INCORRECTE OU ABUSIF DU PRODUIT OU LA NÉGLIGENCE DE SUIVRE LES INSTRUCTIONS FOURNIES PAR WEBER DANS LE GUIDE DU PROPRIÉTAIRE L'ACCOMPAGNANT.

LES PIÈCES ET ACCESSOIRES REMPLACÉS SOUS CETTE GARANTIE SONT GARANTIS POUR LA BALANCE DE LA OU DES PÉRIODES DE GARANTIES INITIALES.

CETTE GARANTIE S'APPLIQUE À L'UTILISATION DANS UNE MAISON PRIVÉE OU EN APPARTEMENT SEULEMENT ET NE COUVRE PAS LES BARBECUES WEBER DANS LES ÉTABLISSEMENTS COMMERCIAUX, COMMUNAUTAIRES OU EMBLEMES MULTIPLES TELS QUE LES RESTAURANTS, LES HÔTELS, CLUBS OU IMMEUBLES LOCATIFS.

WEBER PEUT DE TEMPS EN TEMPS MODIFIER LA CONCEPTION DE SES PRODUITS. RIEN DANS CE GARANTIE NE SERA INTERPRÉTÉ COMME UNE OBLIGATION POUR WEBER D'INTÉGRER LES MODIFICATIONS DE CONCEPTIONS AUX PRODUITS FABRIQUÉS ANTÉRIEUREMENT, ET AUCUNE DE CES MODIFICATIONS NE SERA CONSIDÉRÉE COMME UNE ADMISSION QUE LES CONCEPTIONS PRÉCÉDENTES ÉTAIENT DÉFECTUEUSES.

WEBER-STEPHEN PRODUCTS LLC

Centre de service clientèle
1415 S. Roselle Road
Palatine, IL 60067
U.S.A.

Pour des pièces de rechange, appelez le :
1-800-446-1071

SPIRIT™ E/S-210™ LP VUE ECLATEE	4
SPIRIT™ E-310™ LP VUE ECLATEE	6
SPIRIT™ SP-310™ LP VUE ECLATEE	8
MISES EN GARDES	52
GARANTIE	53
TABLE DES MATIÈRES	53
INFORMATIONS IMPORTANTES	
SUR LE GAZ PL	54
QU'EST-CE QUE LE GAZ PL ?	54
ASTUCES POUR UNE MANIPULATION SANS DANGER DES RÉSERVOIRS DE GAZ PROPANE LIQUIDE	54
STOCKAGE ET/OU INUTILISATION	54
CODES D'INSTALLATION POUR LES ÉTATS-UNIS	54
CODES D'INSTALLATION POUR LE CANADA	54
EXIGENCES RELATIVES AUX RÉSERVOIRS DE PL AUX ÉTATS-UNIS	54
EXIGENCES RELATIVES AUX RÉSERVOIRS DE PL AU CANADA	54
INFORMATIONS IMPORTANTES SUR LES RACCORDEMENTS DE GAZ PL	55
QU'EST-CE QU'UN RÉGULATEUR ?	55
RACCORDEMENTS DU RÉGULATEUR	55
INSTALLATION ET RETRAIT DU RÉSERVOIR DE PL	56
ALIMENTER VOTRE GRILL	56
INSTALLATION DU RÉSERVOIR DE PL	56
NIVEAU DE COMBUSTIBLE	57
RETIRER LE RÉSERVOIR DE PROPANE LIQUIDE POUR LE RECHARGER OU LE REMPLACER	57
REMPLIR LE RÉSERVOIR DE GAZ PL	57
SE PRÉPARER À UTILISER LE GRILL	58
QU'EST-CE QU'UNE DÉTECTION DES FUITES ?	58
DÉMONTAGE PARTIEL DE VOTRE GRILL POUR UNE DÉTECTION DES FUITES	58
DÉTECTION DES FUITES DE GAZ	59
TRUCS & ASTUCES POUR LA GRILLADE	60
TRUCS & ASTUCES	60
PRÉCHAUFFAGE	60
CUISSON COUVERTE	60
SYSTEME FLAVORIZER™	60
JUS DE VIANDE ET GRAISSE	60
CONTRÔLES DE SÉCURITÉ AVANT D'UTILISER VOTRE GRILL	61
LA SÉCURITÉ AVANT TOUT	61
PLATEAU DE RÉCUPÉRATION DES GRAISSES AMOVIBLE	61
ÉGOUTTOIR ET ÉGOUTTOIR JETABLE	61
INSPECTION DU TUYAU	61
ALLUMAGE & UTILISATION DU BRÛLEUR PRINCIPAL	62
MÉTHODES POUR L'ALLUMAGE DU BRÛLEUR	62
ALLUMAGE DU BRÛLEUR PRINCIPAL	62
POUR ÉTEINDRE LE BRÛLEUR	62
DÉPANNAGE	64
DÉPANNAGE GÉNÉRAL	64
NETTOYER POUR DES REPAS RÉUSSIS	65
ENTRETIEN D'UNE REPAS À L'AUTRE	65
ENTRETIEN DU SYSTÈME DE GESTION DE LA GRAISSE	65
PRÉCHAUFFAGE DU BARBECUE	65
NETTOYER LA GRILLE DE CUISSON	65
NETTOYER POUR LA SÉCURITÉ	66
NETTOYAGE DES TUBES DU BRÛLEUR	66
NETTOYER LES PORTS DU TUBE DU BRÛLEUR	66
NETTOYEZ LES FILTRES DE PROTECTION CONTRE LES INSECTES/ARAIGNÉES	67
CONTACTEZ LE SERVICE CLIENTÈLE	67
NETTOYER POUR LA PERFORMANCE	68
MAINTENANCE PRÉVENTIVE	68
NETTOYAGE DU COUVERCLE	68
NETTOYER LES GRILLES DE CUISSON	68
NETTOYAGE DU FLAVORIZER™ BARS	68
NETTOYAGE DE LA CUVE DE CUISSON	69
NETTOYAGE DU SYSTÈME DE GESTION DE LA GRAISSE	69
NETTOYAGE DE L'EXTÉRIEUR DES BARBECUES QUI SONT DANS DES ENVIRONNEMENTS UNIQUES	69
STOCKAGE ET/OU INUTILISATION	69
ALLUMAGE DU SYSTÈME D'ALLUMAGE	70
MAINTENANCE DU SYSTÈME D'ALLUMAGE ÉLECTRONIQUE CROSSOVER™	70

QU'EST-CE QUE LE GAZ PL ?

Le gaz pétrole liquéfié, également appelé GPL ou PL, propane liquide ou simplement propane ou butane, est le produit inflammable dérivé du pétrole utilisé pour alimenter votre grill. Il est à l'état gazeux lorsque les températures et les pressions sont modérées et lorsqu'il n'est pas enfermé dans un récipient. Mais soumis à une pression modérée à l'intérieur d'un conteneur, comme un réservoir de gaz, le PL est liquide. Au fur et à mesure que la pression est dégagée du réservoir de gaz, le liquide se vaporise rapidement et devient le gaz PL.

- Le PL dégage une odeur similaire à celle du gaz naturel. Vous devriez être familiarisé avec cette odeur.
- Le PL est plus lourd que l'air. En cas de fuite de gaz, le PL peut s'accumuler dans les zones basses et résister à la dispersion.

ASTUCES POUR UNE MANIPULATION SANS DANGER DES RÉSERVOIRS DE GAZ PROPANE LIQUIDE

Il existe diverses consignes et facteurs de sécurité que vous devez garder à l'esprit lorsque vous utilisez du gaz propane liquide (PL). Suivez attentivement ces consignes avant d'utiliser votre grill à gaz Weber®.

- Fermez toujours la valve du réservoir de PL avant de débrancher le régulateur.
- N'utilisez pas un réservoir de PL détérioré. Un réservoir de PL bosselé ou rouillé ou un réservoir de PL avec une valve détériorée risque d'être dangereux et devrait être remplacé par un réservoir neuf immédiatement.
- Traitez les réservoirs de PL "vides" avec le même soin que celui que vous apporteriez à des réservoirs pleins. Même lorsqu'un réservoir de PL ne contient aucun liquide, il peut encore y avoir de la pression de gaz à l'intérieur du réservoir.

- Le réservoir de PL doit être installé, transporté et remis à la verticale en lieu sûr. Les réservoirs de PL ne doivent pas être manipulés brusquement ni tomber par terre.
- Ne stockez ou ne transportez jamais le réservoir de PL dans des lieux où les températures peuvent atteindre 125° F (le réservoir de gaz deviendrait trop chaud pour être tenue à la main). Par exemple : ne laissez pas le réservoir de PL dans une voiture par une journée chaude.
- Détectez les fuites au niveau du raccord où le régulateur se connecte au réservoir de PL à chaque nouveau branchement. Par exemple : testez à chaque fois que le réservoir de PL est rechargé puis remis en place.
- Les réservoirs de PL doivent être maintenus hors de portée des enfants.

STOCKAGE ET/OU INUTILISATION

Pour les grills qui ont été stockés ou qui sont restés inutilisés pendant un certain temps, il est important de suivre ces conseils :

- Le gaz doit être fermé au niveau du réservoir de PL lorsque le grill à gaz Weber® n'est pas utilisé.
- ⚠ **MISE EN GARDE : assurez-vous que la valve du réservoir de PL est fermée lorsque le grill est inutilisé. Fermez la valve en la tournant dans le sens des aiguilles d'une montre.**
- Si vous stockez le grill à gaz Weber® à l'intérieur, commencez par DÉBRANCHER l'arrivée de gaz puis rangez le réservoir de PL à l'extérieur dans un espace bien ventilé.
- ⚠ **ATTENTION : placez un cache anti-poussière sur la sortie de la valve à chaque fois que le réservoir de gaz est inutilisé. Installez uniquement le type de cache anti-poussière pour sortie de valve qui est fourni avec la valve du réservoir de gaz. D'autres types de caches ou de bouchons risquent d'entraîner une fuite de propane.**
- Ne rangez pas un réservoir de PL débranché dans un bâtiment, un garage ou toute autre zone confinée.
- Si vous ne débranchez pas le réservoir de PL du grill à gaz Weber®, assurez-vous de maintenir le grill et le réservoir de gaz à l'extérieur dans une zone bien ventilée.
- Le grill à gaz Weber® devrait faire l'objet d'un contrôle afin de détecter toute fuite de gaz et obstruction éventuelle à l'intérieur des tubes du brûleur avant que celui-ci soit utilisé. (Voir "MAINTENANCE ANNUELLE".)
- Vérifiez que les zones sous le panneau de commande et le plateau amovible de récupération des graisses ne contiennent aucun débris susceptible de faire obstruction au passage de l'air nécessaire à la combustion ou à la ventilation.
- Les grilles anti-araignées/insectes devraient également être vérifiées afin de détecter toute obstruction. (Voir "MAINTENANCE ANNUELLE".)

CODES D'INSTALLATION POUR LES ÉTATS-UNIS

L'installation doit être conforme aux codes locaux ou, en l'absence de codes locaux, avec le Code national des gaz combustibles, ANSI Z223.1/NFPA 54, Code des installations de gaz naturel et propane, CSA B149.1 ; ou le Code de stockage et de manipulation du propane, B149.2 ; ou la Norme relative aux véhicules de loisirs, ANSI A 119.2/NFPA 1192, et CSA Z240 Série RV, Code relative aux véhicules de loisirs, le cas échéant.

CODES D'INSTALLATION POUR LE CANADA

Ces instructions, bien que généralement acceptables, ne respectent pas nécessairement les codes pour les installations au Canada, en particulier en ce qui concerne les canalisations au-dessus du sol et souterraines. Au Canada, l'installation de cet appareil doit être conforme aux codes locaux et/ou à la dernière édition de la Norme CAN/CSA-B149.2 (Code relatif au stockage et à la manipulation du propane).

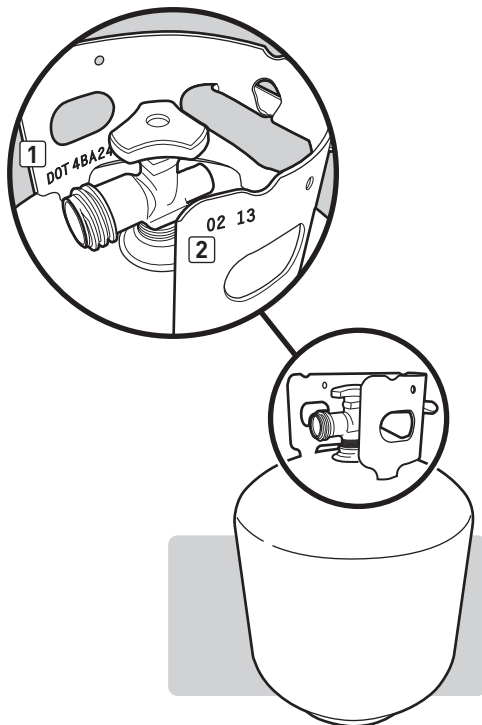
EXIGENCES RELATIVES AUX RÉSERVOIRS DE PL AUX ÉTATS-UNIS

- Assurez-vous que les réservoirs de gaz ont une certification D.O.T. (1), et que la date de test (2) est de moins de cinq ans par rapport à la période d'utilisation actuelle. Votre fournisseur de gaz PL peut faire cela pour vous.
- Tous les systèmes d'approvisionnement de réservoirs de PL doivent inclure un collier afin de protéger la valve du réservoir de gaz.
- Le réservoir de PL doit être de 20 livres, environ 18¼ pouces de haut et 12¼ pouces de diamètre.
- Le réservoir de gaz doit être fabriqué et marqué conformément aux spécifications pour le PL - Bouteilles (Réservoirs) de gaz du ministère du Transport des USA (D.O.T.) ou Norme nationale du Canada, CAN/CSA-B339, Bouteilles (Réservoirs) de gaz, sphères et tubes ou Transport de matières dangereuses ; et Commission, le cas échéant.
- ⚠ **MISE EN GARDE : Le réservoir de PL utilisé avec votre grill doit être muni d'un dispositif de prévention de remplacement excessif et un raccord de bouteille de type 1 (CGA810). Le raccord du réservoir de gaz doit être compatible avec le raccord du grill.**

EXIGENCES RELATIVES AUX RÉSERVOIRS DE PL AU CANADA

- Le réservoir de PL doit être fabriqué et marqué conformément aux spécifications pour les réservoirs de gaz PL, T.C.

REMARQUE : Votre revendeur peut vous aider à trouver un réservoir de gaz de remplacement adapté à votre grill.



QU'EST-CE QU'UN RÉGULATEUR ?

Votre grill à gaz Weber® est équipé d'un régulateur de pression, qui est un dispositif qui permet de contrôler et de maintenir une pression de gaz uniforme pendant que le gaz est relâché par le réservoir de gaz PL.

RACCORDEMENTS DU RÉGULATEUR

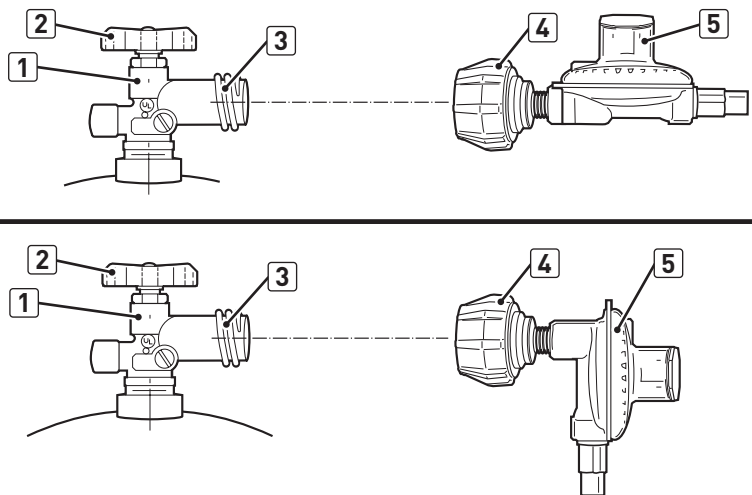
Chaque régulateur de PL Weber® est conçu pour éliminer la vapeur et est équipé d'un raccord de réservoir de Type 1 homologué UL tel que décrit dans la dernière édition de l'ANSI Z21.58. LE RÉSERVOIR DE PL QUE VOUS RACCORDEZ AU RÉGULATEUR DOIT ÊTRE ÉQUIPÉE D'UN RACCORD DE TYPE 1 COMPATIBLE DANS LA VALVE DU RÉSERVOIR. Ce raccord de Type 1 vous permet de réaliser une fixation rapide et sûre entre votre grill à gaz Weber® et le réservoir de PL.

REMARQUE : Le gaz ne s'écoulera pas du réservoir tant que le couplage de Type 1 ne sera pas complètement engagé.

- Le régulateur de pression fourni avec le grill à gaz Weber® doit être utilisé. Ce régulateur est paramétré pour 11 pouces de pression de colonne d'eau.
- Les assemblages régulateur de pression et tuyau de recharge doivent être ceux spécifiés par Weber-Stephen Products LLC.
- Assurez-vous que le régulateur est monté avec le petit trou d'aération orienté vers le bas de sorte qu'il n'accumule pas d'eau. Cette aération ne devrait pas comporter de saleté, de graisse, d'insectes, etc.
- Les raccords de gaz fournis avec votre appareil à gaz Weber® ont été conçus et testés pour être conformes à 100% par rapport aux exigences du CSA et de l'ANSI.

⚠ MISE EN GARDE : Les réservoirs de PL de recharge doivent s'adapter au raccord du régulateur fourni avec cet appareil à gaz Weber®.

COUPLAGE DE CONNEXION DE TYPE 1



1	Valve de Type 1	4	Écrou thermosensible
2	Molette manuelle	5	Régulateur de propane
3	Filetage externe		

ALIMENTER VOTRE GRILL

Avant d'utiliser votre grill pour la première fois, vous devez vous procurer un réservoir de PL. Les réservoirs neufs s'achètent pleins ; les réservoirs vides peuvent être rechargés ou échangés. Vous pouvez choisir d'acheter un réservoir de PL de rechange afin de ne pas manquer de combustible au milieu de la cuisson d'un repas.

⚠ DANGER

AIS un réservoir de PL sous ou à proximité d'appareils à gaz Weber®. Ne remplissez JAMAIS le réservoir à plus de 80%. Le non respect "exact" de ces consignes risque d'entraîner un incendie susceptible de provoquer un décès ou des blessures graves.

INSTALLATION DU RÉSERVOIR DE PL

Les réservoirs de PL peuvent varier en fonction de la forme de l'assemblage du collier supérieur (la bague métallique de protection autour de la valve du réservoir de gaz). Sa forme détermine comment un réservoir de gaz va être suspendue sur l'échelle du réservoir de gaz. Un type de réservoirs de gaz se monte avec la valve orientée vers l'avant (1). L'autre type se monte avec la valve éloignée de l'échelle du réservoir de gaz (2). Pour installer correctement votre réservoir de PL, identifiez d'abord quel type de réservoir de PL vous avez acheté. Weber recommande des réservoirs de PL avec une capacité de 47.6 lb d'eau. D'autres réservoirs de gaz peuvent être acceptables pour une utilisation à condition qu'elles soient compatibles avec le moyen de rétention du réservoir de gaz (échelle du réservoir de gaz).

Le réservoir de PL est installée à l'intérieur du meuble de base, sur l'échelle du réservoir de gaz (du côté droit).

Préparez le grill pour l'installation du réservoir de gaz

- A) Vérifiez que tous les boutons de commande des brûleurs sont en position d'arrêt (O). Votre grill a été expédié avec des boutons de commande en position d'arrêt (O), mais vous devriez vérifier pour vous assurer qu'ils sont fermés. Vérifiez en enfonçant puis en tournant les boutons dans le sens des aiguilles d'une montre. S'ils ne tournent pas, ils sont fermés. S'ils tournent, continuez à les fermer dans le sens des aiguilles d'une montre jusqu'à ce qu'ils s'arrêtent. Si votre grill est pourvu d'un brûleur latéral, assurez-vous que le bouton de commande du brûleur latéral est fermé.

- B) Ouvrez la porte du meuble de base.

Installez le réservoir de PL

- A) Desserrez l'écrou à ailettes qui verrouille le réservoir. Faites passer le verrou du réservoir vers le haut (3).
 B) Tournez le réservoir de PL de sorte que l'ouverture de la valve se trouve à l'avant ou sur le côté du grill à gaz Weber®.

⚠ MISE EN GARDE : Assurez-vous que la valve du réservoir de PL est fermée. Fermez-la en tournant la valve dans le sens des aiguilles d'une montre.

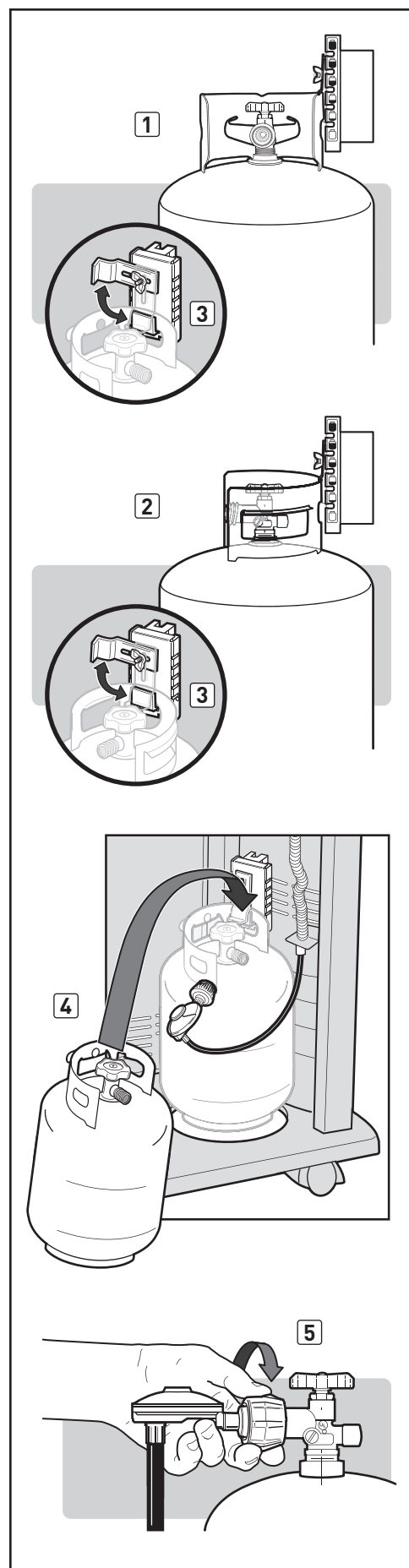
- C) Soulevez le réservoir de gaz pour la mettre en position sur l'échelle du réservoir de gaz (4).
 D) Faites basculer le verrou du réservoir de gaz vers le bas. Serrez l'écrou à ailettes.

Raccordez le régulateur/ tuyau au réservoir de gaz

- A) Retirez le cache anti-poussière en plastique de la valve du réservoir de gaz.
 B) Vissez le couplage du régulateur sur la valve du réservoir de gaz, en tournant dans le sens des aiguilles d'une montre, ou vers la droite (5). Serrez à la main uniquement.

REMARQUE : Ce raccord se serre dans le sens des aiguilles d'une montre et il ne laissera pas le gaz circuler si le raccord n'est pas hermétique.

⚠ MISE EN GARDE : N'utilisez pas de clé pour serrer le raccord. L'utilisation d'une clé risquerait de détériorer le couplage du régulateur et pourrait provoquer une fuite.



INSTALLATION ET RETRAIT DU RÉSERVOIR DE PL

NIVEAU DE COMBUSTIBLE

L'échelle graduée du réservoir de gaz, une fonction de certains de nos grills, indiquera le niveau de l'arrivée de gaz afin que vous puissiez recharger le réservoir avant d'être à court de combustible. Vérifiez le niveau de combustible en regardant la ligne orange d'indication du niveau, située sur le côté de l'échelle du réservoir de gaz. Lorsque la ligne indicatrice est en bas, le réservoir de gaz est vide (1). Lorsqu'elle est au milieu, le réservoir de gaz est à moitié plein (2). Lorsqu'elle est en haut, le réservoir de gaz est plein (3).

RETIRER LE RÉSERVOIR DE PROPANE LIQUIDE POUR LE RECHARGER OU LE REMPLACER

Un réservoir de PL plein dure environ 18-20 heures de temps de cuisson avec une utilisation normale. Vous n'avez pas besoin d'être à court de combustible pour recharger le réservoir de gaz. En fait, nous vous recommandons de recharger le réservoir de PL avant qu'il soit complètement vide.

Retrait du réservoir de PL

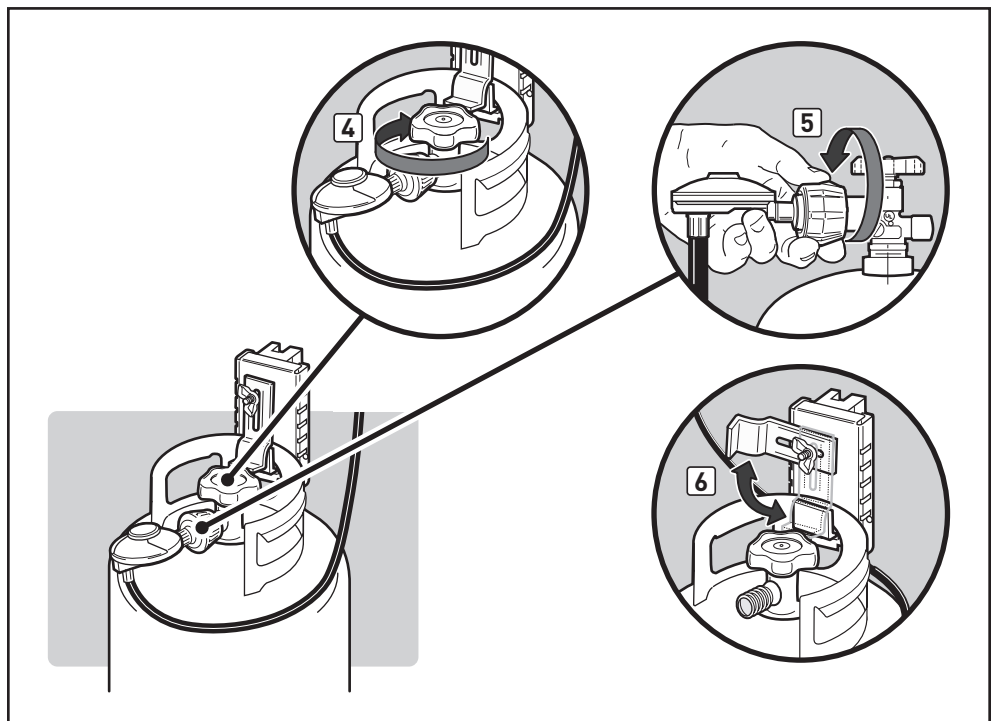
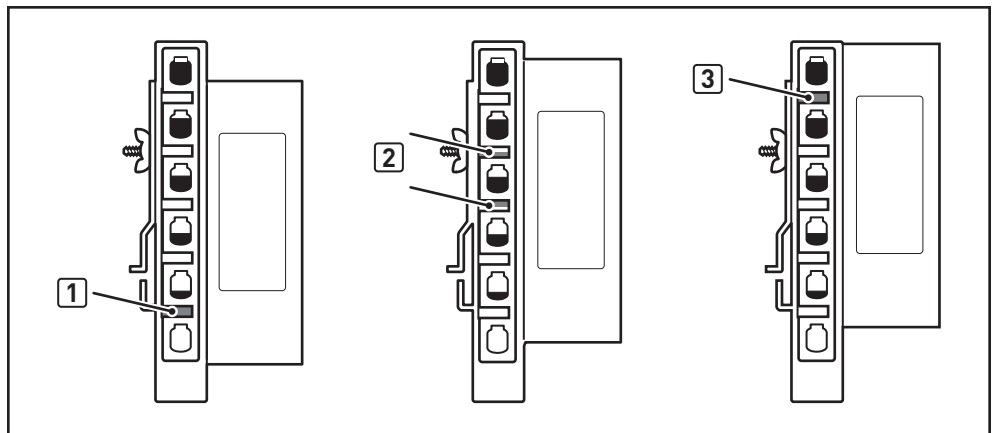
- Fermez la valve du réservoir de gaz (tournez dans le sens des aiguilles d'une montre) (4).
- Dévissez le couplage du régulateur en tournant dans le sens inverse des aiguilles d'une montre, à la main uniquement (5).
- Desserrez l'écrou à ailettes qui verrouille le réservoir de gaz puis tournez le verrou du réservoir de gaz vers le haut pour l'éloigner (6).
- Soulevez le réservoir de gaz pour le retirer de l'échelle.

REEMPLIR LE RÉSERVOIR DE GAZ PL

Le remplissage correct de votre réservoir de gaz s'effectue au poids ou au volume, tel que décrit dans la norme NFPA 58. Veuillez vous assurer que votre station de remplissage utilise l'une de ces deux méthodes, et demandez à votre station de remplissage de lire les instructions pour la purge et le remplissage du réservoir de PL avant de tenter de le remplir.

⚠ MISE EN GARDE : Nous recommandons que nos réservoirs de PL soient remplis chez un revendeur de gaz PL agréé, par un agent qualifié, qui remplit le réservoir de gaz au poids. UN REMPLISSAGE INCORRECT EST DANGEREUX.

REMARQUE : Soyez certains que le réservoir de gaz a été purgé de l'air emprisonné avant le premier remplissage. Votre revendeur de PL est équipé pour le faire.



QU'EST-CE QU'UNE DÉTECTION DES FUITES ?

Le système d'alimentation de votre grill est composé de connexions et de raccords. Une détection des fuites est une méthode fiable pour vous assurer qu'il n'y a pas de gaz qui s'échappe de l'une des connexions ou de l'un des raccords.

Bien que tous les raccords réalisés en usine aient fait l'objet d'une détection approfondie des fuites de gaz, il est important d'effectuer une détection des fuites de gaz avant d'utiliser votre grill pour la première fois, ainsi qu'à chaque fois que vous débranchez puis rebranchez un raccord et à chaque fois que vous effectuez une maintenance de routine.

DÉMONTAGE PARTIEL DE VOTRE GRILL POUR UNE DÉTECTION DES FUITES

Afin d'effectuer une détection des fuites, vous devez avoir accès aux valves de gaz, ce qui va nécessiter un démontage simple du grill.

Confirmez que le grill est éteint

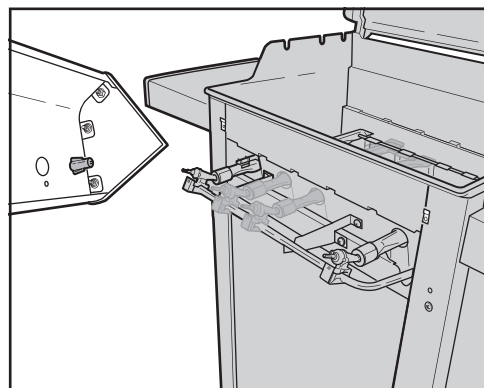
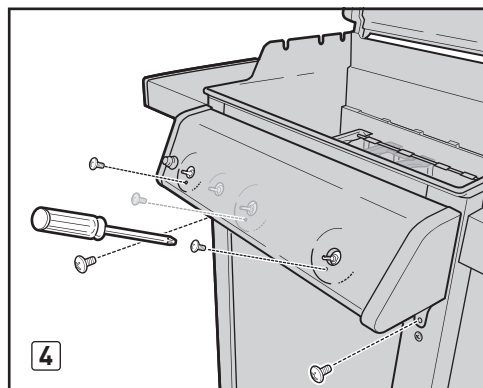
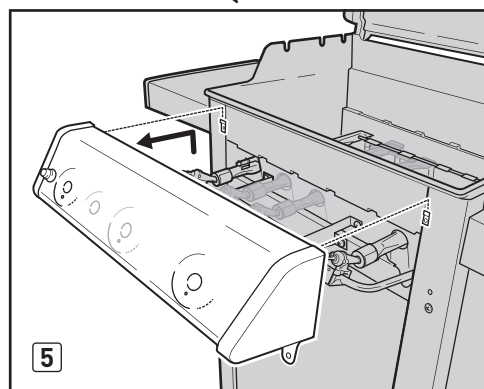
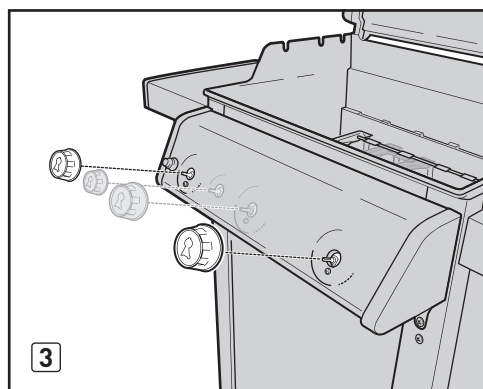
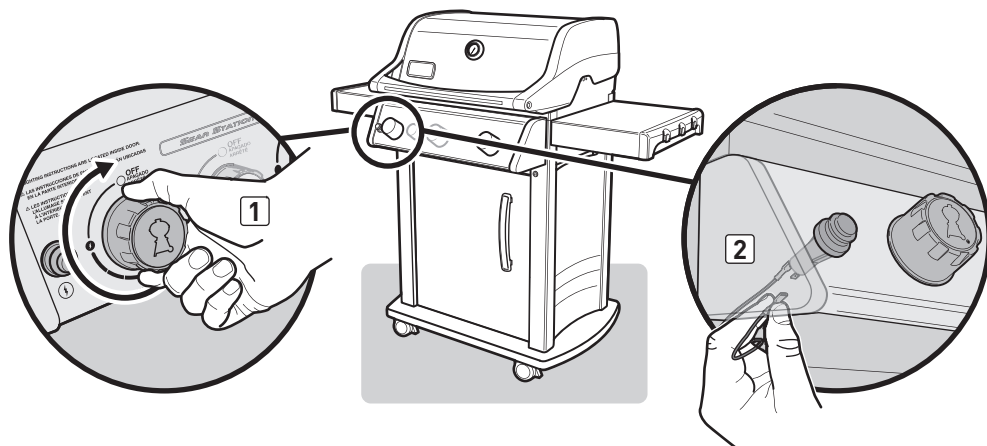
- Fermez l'arrivée de gaz à la source.
- Vérifiez que TOUTS les boutons de commande du brûleur sont positionnés à l'arrêt (O) (1). Les boutons de commande sont expédiés en position d'arrêt (O), mais vous devriez vérifier pour vous assurer qu'ils sont éteints. Vérifiez en enfonçant les boutons de commande et en les tournant dans le sens des aiguilles d'une montre. S'ils ne tournent pas, ils sont fermés. S'ils tournent, continuez à les tourner dans le sens des aiguilles d'une montre jusqu'à ce qu'ils s'arrêtent ; ensuite, ils sont à l'arrêt. Si votre grill est pourvu d'un brûleur latéral, assurez-vous que le bouton de commande du brûleur latéral est en position d'arrêt.

Retirez le panneau de commande

Il vous faudra : Un tournevis cruciforme.

- Débranchez les deux câbles du bouton d'allumage situé sur le dessous du panneau de commande (2).
REMARQUE : Tirez depuis les bornes aux extrémités des câbles.
- Retirez les boutons de commande (3).
- Retirez les vis de l'avant du panneau de commande à l'aide d'un tournevis à tête cruciforme (4).
- Soulevez avec soin le panneau de commande puis tirez vers l'avant et vers l'extérieur par rapport au châssis (5).

Votre grill est désormais prêt pour une détection des fuites. Passez à la DÉTECTION DES FUITES DE GAZ.



SE PRÉPARER À UTILISER LE GRILL

⚠ DANGER

N'utilisez pas une flamme nue pour détecter les fuites de gaz. Assurez-vous qu'il n'y a aucune étincelle ni flamme nue dans la zone pendant que vous détectez les fuites. Des étincelles ou des flammes provoqueraient un incendie ou une explosion, susceptible d'entraîner des blessures graves voire un décès ainsi que des dégâts matériels.

⚠ **MISE EN GARDE** : Les raccords de votre grill à gaz ont été testés en usine. Nous vous recommandons néanmoins de détecter les fuites de gaz au niveau de tous les raccords de gaz avant d'utiliser votre grill à gaz.

⚠ **MISE EN GARDE** : Effectuez ces détectations des fuites même si votre grill a été assemblé par un revendeur ou assemblé en boutique.

⚠ **MISE EN GARDE** : Vous devriez détecter les fuites de gaz à chaque fois que vous déconnectez ou reconnectez un raccord de gaz.

REMARQUE : Tous les raccords réalisés en usine ont fait l'objet de contrôles approfondis de détection des fuites et les brûleurs ont été testés à la flamme. Par mesure de sécurité, néanmoins, vous devriez vérifier tous les raccords afin de détecter les fuites avant d'utiliser votre grill à gaz Weber®. L'expédition et la manipulation peuvent desserrer ou détériorer un raccord de gaz.

DÉTECTION DES FUITES DE GAZ

Il vous faudra : un réservoir d'aérosol ou une brosse ou un chiffon et une solution d'eau savonneuse. (Vous pouvez préparer votre propre solution d'eau savonneuse en mélangeant 20% de savon liquide avec 80% d'eau ; ou, vous pouvez acheter une solution de détection des fuites au rayon plomberie de n'importe quel magasin de bricolage.)

A) Ouvrez l'arrivée de gaz à la source (1).

⚠ **MISE EN GARDE** : N'allumez pas les brûleurs lorsque vous détectez les fuites.

B) Pour détecter les fuites, humidifiez les raccords à l'aide de la solution d'eau savonneuse, en utilisant un réservoir d'aérosol, une brosse ou un chiffon. Si des bulles se forment, ou si une bulle grossit, il y a une fuite. Appliquez la solution d'eau savonneuse aux raccords suivants :

- Raccord tuyau du régulateur-vers-cloison (2).
- Raccord tuyau ondulé du collecteur-vers-cloison (3).
- Raccord tuyau ondulé du collecteur-vers-collecteur (4).

⚠ **MISE EN GARDE** : En cas de fuite au niveau des raccords (2, 3 ou 4), fermez le gaz, serrez le raccord à l'aide d'une clé, puis redétectez les fuites à l'aide de la solution d'eau savonneuse. Si une fuite persiste une fois que vous avez serré le raccord, fermez le gaz. **N'UTILISEZ PAS LE GRILL.** Contactez le représentant du Service clientèle de votre région en utilisant les coordonnées de notre site Internet.

Connectez-vous sur www.weber.com.

- Raccord régulateur-vers-réservoir de gaz (5).
- Raccord tuyau du régulateur-vers-régulateur (6).
- Raccords valves-vers-collecteur (7).

⚠ **MISE EN GARDE** : En cas de fuite au niveau des raccords (5, 6, ou 7), fermez le gaz. **N'UTILISEZ PAS LE GRILL.**

Contactez le représentant du Service clientèle de votre région à l'aide des coordonnées à votre disposition sur notre site Internet. Connectez-vous sur www.weber.com.

C) Une fois la détection des fuites terminées, fermez l'arrivée de gaz à la source puis rincez les raccords à l'eau.

REMARQUE : Dans la mesure où certaines solutions de détection des fuites, y compris l'eau savonneuse, peuvent être légèrement corrosives, tous les raccords devraient être rincés à l'eau après la détection des fuites.

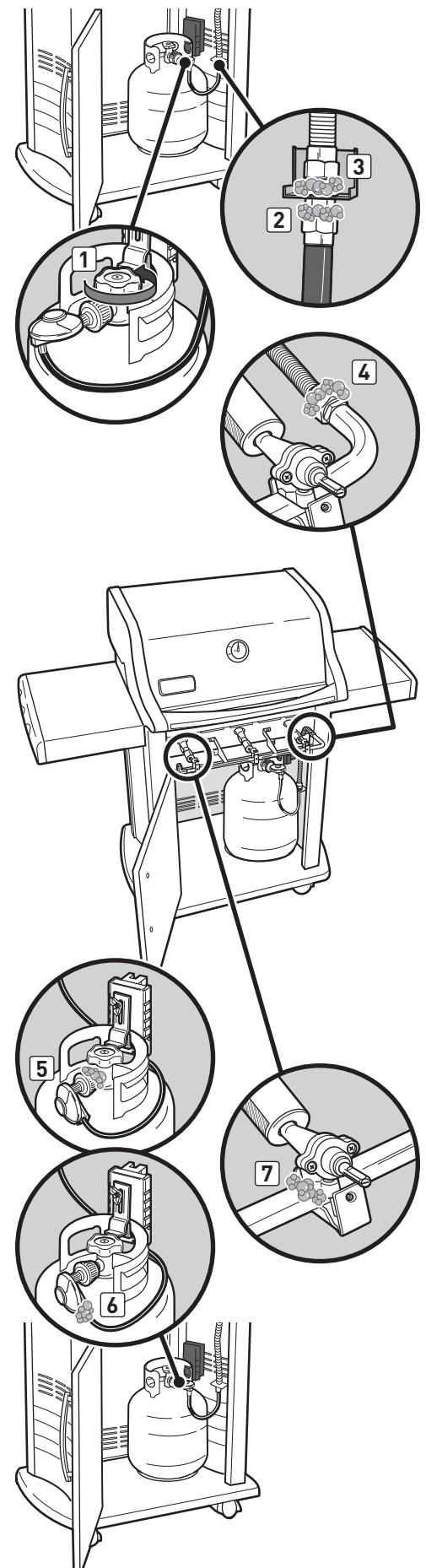
Réinstallez le Panneau de commande

Il vous faudra : Un tournevis cruciforme.

- Alignez les tiges des valves avec les trous dans le panneau de commande. Positionnez l'extrémité supérieure du panneau de commande sur les languettes de l'assemblage du châssis. Enfoncez le panneau de commande en position.
- Serrez le panneau de commande à l'aide de vis.
- Placez les boutons de commande sur les tiges des valves.
- Connectez les câbles au bouton de l'allumeur.

⚠ **MISE EN GARDE** : Assurez-vous que toutes les pièces sont assemblées et que la quincaillerie est bien serrée avant d'utiliser le grill. Vos actions, si vous ne suivez pas la mise en garde de ce produit, risquent de provoquer un incendie, une explosion ou une défaillance structurelle avec pour conséquence une blessure personnelle grave voire un décès ainsi que des dégâts matériels.

Maintenant vous êtes prêt à utiliser votre grill.



TRUCS & ASTUCES

- Préchauffez toujours le grill avant la cuisson. Réglez tous les brûleurs sur chaleur élevée (high) puis fermez le couvercle ; préchauffez pendant 10 à 15 minutes, ou jusqu'à ce que le thermomètre enregistre 500° – 550°F (260° – 290°C).
- La température de votre grill à gaz peut être plus élevée que la normale pendant les premières utilisations.
- Les durées de cuisson au grill des recettes sont basées sur une température extérieure de 70°F (21°C) avec peu voire pas de vent. Accordez davantage de temps de cuisson lorsque les journées sont froides ou ventées, ou à des altitudes plus élevées. Accordez un temps de cuisson plus court lorsque le temps est extrêmement chaud.
- Les conditions de la grillade peuvent nécessiter un ajustement des commandes du brûleur afin d'atteindre les températures de cuisson correctes.
- Saisissez les viandes puis cuisez avec le couvercle fermé pour des aliments parfaitement grillés à chaque fois.
- Le fait de placer trop d'aliments sur une grille de cuisson signifie que davantage de temps sera nécessaire pour cuire ces aliments.
- Retirez l'excès de matière grasse des steaks, des côtes et des rôtis, en ne laissant pas plus de ¼ pouce (6,4 mm) de matière grasse. Moins de matière grasse facilite le nettoyage, et constitue presque une garantie contre les embrasements intempestifs.
- En général, les gros morceaux de viande nécessiteront davantage de temps de cuisson par livre que les petits morceaux de viande.
- Certains aliments, comme les plats mijotés ou les filets de poissons fins, auront besoin d'un récipient pour la cuisson. Les plats en aluminium jetables sont très pratiques, mais n'importe quel plat métallique pourvu de poignées résistantes au four peut également être utilisé.
- Les aliments dans des récipients, comme les haricots à la sauce tomate, auront besoin de plus de temps s'ils sont cuits dans un plat profond que s'ils sont cuits dans un récipient de cuisson peu profond.
- Les aliments placés sur la grille de cuisson directement au-dessus des brûleurs peuvent avoir besoin d'être retournés ou déplacés vers une zone moins chaude.
- Utilisez des pinces plutôt qu'une fourchette pour tourner et manipuler les viandes afin d'éviter de perdre les jus naturels. Utilisez deux spatules pour manipuler les gros poissons entiers.
- Assurez-vous que le plateau de récupération des graisses amovible et l'égouttoir sont propres et ne comportent aucun débris.
- Ne recouvrez pas le plateau de récupération des graisses avec du papier aluminium. Ceci risquerait d'empêcher la graisse de s'écouler vers l'égouttoir.
- En cas d'embrasement intempestif, fermez tous les brûleurs puis déplacez les aliments vers une autre zone de la grille de cuisson. Toute flamme éventuelle va s'éteindre rapidement. Une fois les flammes éteintes, rallumez le grill. **N'UTILISEZ JAMAIS D'EAU POUR ÉTEINDRE DES FLAMMES SUR UN GRILL A GAZ.**
- L'utilisation d'un minuteur contribuera à vous alerter lorsque "bien cuit" est sur le point de devenir "trop cuit."

PRÉCHAUFFAGE

Il est important de préchauffer le grill avant de procéder à la grillade. Pour préchauffer : Allumez votre grill conformément aux instructions contenues dans le Mode d'emploi ; ensuite positionnez tous les brûleurs sur démarrage/élevé (start/high) (†), fermez le couvercle, et préchauffez jusqu'à ce que la température atteigne entre 500° et 550°F (260° et 290°C), la température de cuisson recommandée. Cela prendra 10 à 15 minutes en fonction de conditions telles que la température ambiante et le vent. Une fois le préchauffage terminé, vous pouvez ajuster les brûleurs individuellement à votre convenance.

⚠ MISE EN GARDE : Si les brûleurs s'éteignent pendant que le grill est en fonctionnement, fermez toutes les valves de gaz. Ouvrez le couvercle puis patientez cinq minutes avant de tenter de rallumer le grill, en utilisant les instructions pour l'allumage.

CUISSON COUVERTE

La totalité de la cuisson au grill est effectuée avec le couvercle fermé afin de fournir une chaleur uniforme, qui circule de façon homogène. Avec le couvercle fermé, le grill à gaz cuit d'une manière très semblable à un four à convection. Le thermomètre dans le couvercle indique la température de cuisson à l'intérieur du grill. La totalité du préchauffage et de la cuisson au grill s'effectue avec le couvercle fermé. Ne regardez pas trop — il y a une perte de chaleur à chaque fois que vous soulevez le couvercle.

SYSTEME FLAVORIZER™

Le couvercle fermé et les barres Flavorizer™ produisent cette saveur unique de "cuisson en extérieur" dans les aliments. Lorsque les jus de viandes s'écoulent des aliments vers les barres Flavorizer™ dont l'angle est particulier, ils créent une fumée qui donne aux aliments une irrésistible saveur de cuisson au barbecue. Grâce à la conception unique des brûleurs, les barres Flavorizer™, et les commandes de température souples, les embrasements intempestifs sont presque éliminés, parce que c'est VOUS qui contrôlez les flammes.

JUS DE VIANDE ET GRAISSE

En raison du design particulier des barres Flavorizer™ et des brûleurs, les matières grasses en excès sont orientées vers le plateau de récupération des graisses amovible puis dans l'égouttoir. Des égouttoirs jetables qui s'adaptent dans l'égouttoir sont disponibles.

Pour plus d'astuces et de recettes pour vos grillades, visitez www.weber.com.

LA SECURITE AVANT TOUT

Il est préférable de prendre l'habitude d'effectuer quelques contrôles de sécurité avant de faire vos grillades.

La sécurité doit être prise en compte lorsque vous décidez où placer et utiliser votre grill. Assurez-vous de lire les mises en garde suivantes avant d'installer ou d'utiliser votre grill.

MISES EN GARDE :

- ⚠ Utilisez ce grill uniquement en extérieur dans une zone bien ventilée. Ne l'utilisez pas dans un garage, dans un bâtiment, dans un passage couvert ou dans toute autre zone confinée.
- ⚠ Votre grill à gaz Weber® ne doit pas être utilisé sous une structure suspendue inflammable.
- ⚠ Votre grill à gaz Weber® n'est pas conçu pour être installé dans ou sur des véhicules de loisirs et/ou dans des bateaux.
- ⚠ N'utilisez pas le grill dans un rayon de 24 pouces (61 cm) par rapport à tout matériau inflammable. Ceci inclut le haut, le bas, l'arrière ou les côtés du grill.
- ⚠ Maintenez la zone de cuisson dégagée de toute vapeur inflammable et de tout liquide tel que de l'essence, de l'alcool, etc., et tout matériau inflammable.
- ⚠ La totalité du boîtier de cuisson atteint une température élevée pendant l'utilisation. Ne pas toucher.
- ⚠ Ne déplacez pas le barbecue à gaz Weber® en cours d'utilisation ou lorsque celui-ci est très chaud.
- ⚠ Maintenez les ouvertures de ventilation du coffrage du réservoir de gaz dégagées et dépourvues de tout débris.

Lorsque vous vous préparez à faire des grillades, vos premières pensées devraient toujours être pour la sécurité. Vous trouverez ci-dessous quelques vérifications de sécurité que vous devriez effectuer à chaque fois que vous faites des grillades.

PLATEAU DE RÉCUPÉRATION DES GRAISSES AMOVIBLE

Votre grill a été conçu avec un système de récupération des graisses, qui conduit la graisse à l'écart des aliments puis vers des récipients amovibles.

Vérifiez le plateau amovible de récupération des graisses afin de détecter toute accumulation de graisse à chaque fois que vous utilisez votre grill. Retirez l'excès de graisse à l'aide d'une râpe en plastique (1). Lavez le plateau de récupération des graisses à l'aide d'une solution d'eau savonneuse chaude puis rincez à l'eau.

⚠ **ATTENTION : Ne couvrez pas le plateau de récupération des graisses amovible avec du papier aluminium.**

ÉGOUTTOIR ET ÉGOUTTOIR JETABLE

La graisse en provenance du plateau de récupération des graisses amovible s'écoule vers un égouttoir. Le nettoyage de l'égouttoir est tout aussi important que le nettoyage du plateau amovible de récupération des graisses.

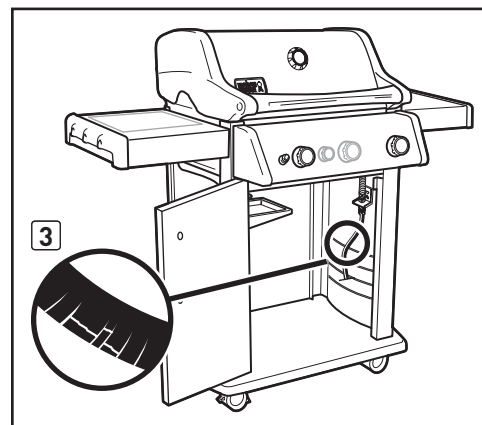
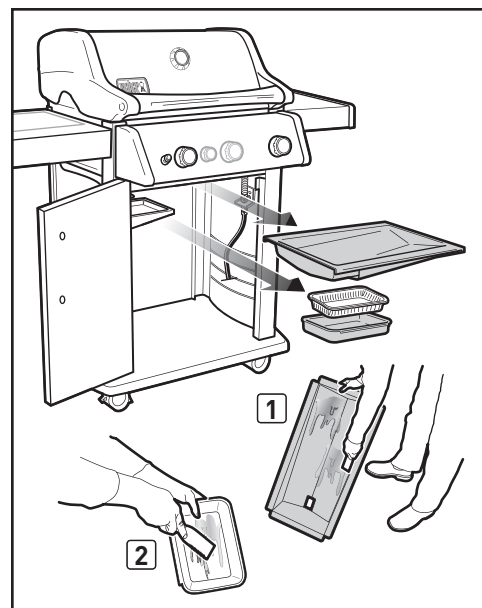
Vérifiez l'égouttoir afin de détecter toute accumulation de graisse à chaque fois que vous utilisez le grill. Retirez tout excès de graisse à l'aide d'une râpe en plastique (2). Lavez l'égouttoir à l'eau savonneuse chaude puis rincez à l'eau. Pour maintenir la propreté de l'égouttoir plus longtemps, vous pouvez couvrir l'égouttoir à l'aide d'un égouttoir jetable Weber® ou avec du papier aluminium.

⚠ **MISE EN GARDE : Vérifiez le plateau de récupération des graisses amovible et l'égouttoir afin de détecter toute accumulation de graisse avant chaque utilisation. Retirez tout excès de graisse afin d'éviter un feu de graisse. Un feu de graisse risque de provoquer des blessures graves ainsi que des dégâts matériels.**

INSPECTION DU TUYAU

Le tuyau devrait être inspecté régulièrement afin de détecter tout signe de fissure (3).

⚠ **MISE EN GARDE : Vérifiez le tuyau avant chaque utilisation du grill afin de détecter les entailles, les fissures, les abrasions ou les coupures. Si le tuyau s'avère détérioré de quelque manière que ce soit, n'utilisez pas le grill. Utilisez uniquement un tuyau homologué par Weber® pour le remplacement. Contactez le représentant du Service clientèle le plus proche à l'aide des coordonnées à votre disposition sur notre site Internet. Connectez-vous sur www.weber.com.**



MÉTHODES POUR L'ALLUMAGE DU BRÛLEUR

Il y a deux manières d'allumer le brûleur 1. La première consiste à utiliser le système d'allumage électronique Crossover™ intégré à votre grill. La seconde consiste à l'allumer à l'aide d'une allumette.

Vous trouverez plus tard les étapes pour l'allumage de votre grill à l'aide du système d'allumage électronique Crossover™. Dans les pages qui suivent, vous trouverez les étapes pour l'allumage de votre grill à l'aide d'une allumette.

Vous trouverez des instructions brèves pour l'allumage à l'intérieur de la porte du meuble.

ALLUMAGE DU BRÛLEUR PRINCIPAL

Système d'allumage électronique Crossover®

Le système d'allumage électronique Crossover® allume le brûleur 1 à l'aide d'une étincelle en provenance de l'électrode de l'allumeur à l'intérieur du compartiment d'allumage Gas Catcher™. Vous générez l'énergie nécessaire à l'étincelle en enfonçant le bouton de l'allumeur. Vous entendrez un dé clic produit par l'allumeur. Le(s) brûleur(s) 2 (et 3) peut/peuvent être allumé(s) une fois que le brûleur 1 est allumé.

A) Ouvrez le couvercle du grill (1).

⚠ DANGER

Le fait de ne pas ouvrir le couvercle avant d'allumer les brûleurs du grill, ou de ne pas patienter cinq minutes afin de laisser le gaz se dissiper si le grill ne s'allumait pas, risque de provoquer un embrasement explosif susceptible d'entraîner des blessures graves voire un décès.

B) Assurez-vous que **TOUS** les boutons des brûleurs sont en position d'arrêt (off) (2). Vérifiez en enfonçant les boutons de commande et en les tournant dans le sens des aiguilles d'une montre jusqu'à ce qu'ils s'arrêtent.

⚠ **MISE EN GARDE** : Les boutons de commande du brûleur doivent être en position d'arrêt (○) avant que vous tourniez la valve du réservoir de PL. Si elles ne sont pas en position d'arrêt (○) lorsque vous ouvrez la valve du réservoir de PL, la fonction de "contrôle du débit de gaz en excès" s'active, limitant ainsi le débit de gaz en provenance du réservoir de PL. Si cela se produisait, fermez la valve du réservoir de PL ainsi que les boutons de commande du brûleur. Recommencez.

⚠ DANGER

Lorsque la fonction de "contrôle du débit de gaz en excès" est activée, une petite quantité de gaz s'écoule toujours en direction des brûleurs. Après avoir fermé la valve du réservoir de PL et les boutons de commande des brûleurs, patientez au moins cinq minutes pour laisser le gaz se dissiper avant de tenter d'allumer le grill. Le non respect de cette consigne risque de provoquer un embrasement explosif susceptible de provoquer des blessures graves voire un décès.

C) Ouvrez la vanne du réservoir GPL en la tournant dans le sens anti-horaire, puis attendez 60 secondes (3).

D) Enfoncez le bouton de commande du brûleur 1 et tournez-le dans le sens inverse des aiguilles d'une montre vers démarrage/élevé (start/high) (†) (4). **IMPORTANT** : Allumez toujours le brûleur 1 en premier. Le(s) autre(s) brûleur(s) s'allume(nt) à partir du brûleur 1.

E) Enfoncez et maintenez enfoncé le bouton de l'allumeur (5). Vous entendrez un dé clic au niveau de l'allumeur.

F) Vérifiez que le brûleur 1 est allumé en regardant à travers les grilles de cuisson. Vous devriez voir une flamme.

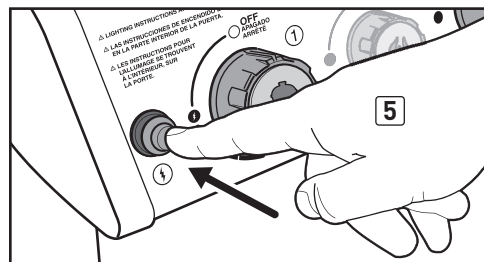
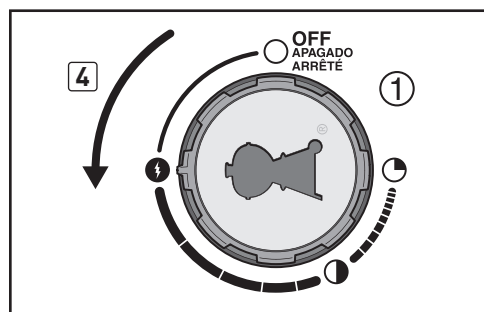
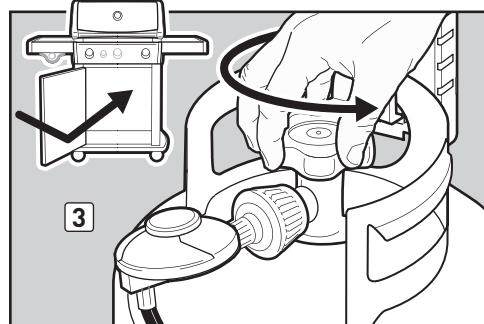
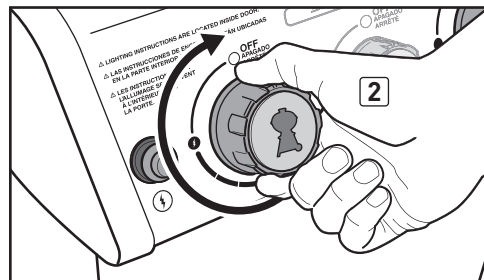
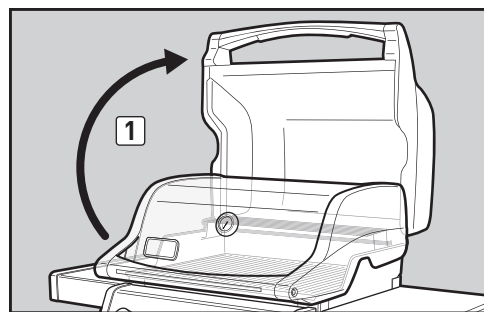
⚠ **MISE EN GARDE** : Lorsque vous allumez le grill ou que vous cuisinez, ne vous penchez jamais au-dessus d'un grill ouvert.

⚠ **MISE EN GARDE** : Si le brûleur 1 ne s'allume pas dans les cinq secondes, arrêtez, positionnez le bouton de commande vers la position d'arrêt (off) puis patientez cinq minutes pour laisser le gaz se dissiper avant d'essayer à nouveau ou d'allumer à l'aide d'une allumette.

G) Une fois que le brûleur 1 est allumé, vous pouvez allumer le brûleur 2 (et le brûleur 3).

POUR ÉTEINDRE LE BRÛLEUR

Enfoncez chacun des boutons de commande des brûleurs et tournez-les dans le sens des aiguilles d'une montre vers la position d'arrêt (off) (○). Fermez l'arrivée de gaz à la source.



ALLUMAGE & UTILISATION DU BRÛLEUR PRINCIPAL

Allumage à l'aide d'une allumette

A) Ouvrez le couvercle du grill (1).

⚠ DANGER

Le fait de ne pas ouvrir le couvercle avant d'allumer les brûleurs du grill, ou de ne pas patienter cinq minutes pour laisser le gaz se dissiper si le grill ne s'allumait pas, risque de provoquer un embrasement explosif susceptible d'entraîner des blessures graves voire un décès.

B) Assurez-vous que **TOUS** les boutons de commande des brûleurs sont en position d'arrêt (off) (2). Vérifiez en enfonçant les boutons de commande puis en les tournant dans le sens des aiguilles d'une montre jusqu'à ce qu'ils s'arrêtent.

⚠ **MISE EN GARDE** : Les boutons de commande du brûleur doivent être en position d'arrêt (○) avant que vous tourniez la valve du réservoir de PL. Si elles ne sont pas en position d'arrêt (○) lorsque vous ouvrez la valve du réservoir de PL, la fonction de "contrôle du débit de gaz en excès" s'active, limitant ainsi le débit de gaz en provenance du réservoir de PL. Si cela se produisait, fermez la valve du réservoir de PL ainsi que les boutons de commande du brûleur. Recommencez.

⚠ DANGER

Lorsque la fonction de "contrôle du débit de gaz en excès" est activée, une petite quantité de gaz circule toujours en direction des brûleurs. Après avoir fermé la valve du réservoir de PL ainsi que les boutons de commande des brûleurs, patientez au moins cinq minutes avant de tenter d'allumer le grill. Le non respect de cette consigne risque de provoquer un embrasement explosif, susceptible de provoquer des blessures graves voire un décès.

C) Ouvrez la vanne du réservoir GPL en la tournant dans le sens anti-horaire, puis attendez 60 secondes (3).

D) Placez une allumette dans le porte-allumette puis frottez l'allumette. Insérez le porte-allumette avec l'allumette allumée à travers les grilles de cuisson, au-delà des barres Flavorizer® et à côté du brûleur 1 (4).

E) Enfoncez le bouton de commande du brûleur 1 et tournez-le dans le sens inverse des aiguilles d'une montre vers la position démarrage/élevé (start/high) (⚡) (5). **IMPORTANT** : Allumez toujours le brûleur 1 en premier. Le(s) autre(s) brûleur(s) s'allume(nt) à partir du brûleur 1.

F) Vérifiez que le brûleur 1 est allumé en regardant à travers les grilles de cuisson. Vous devriez voir une flamme.

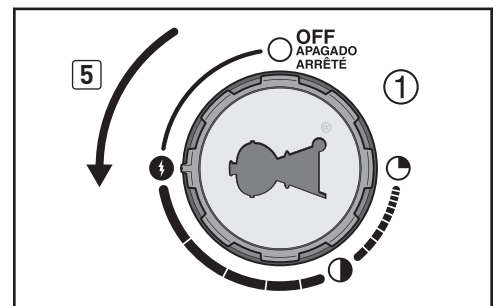
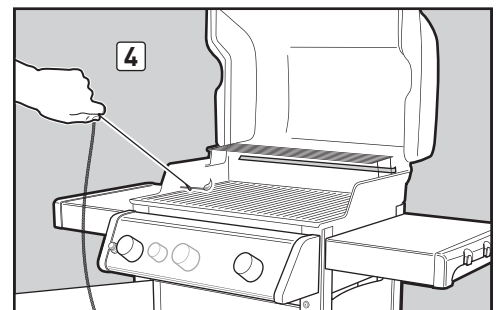
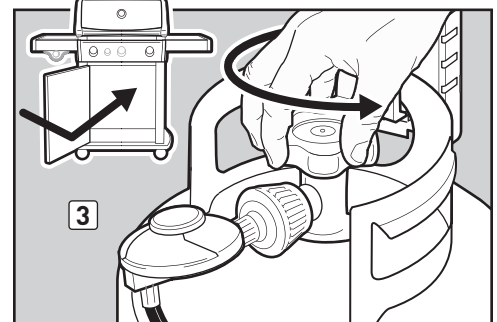
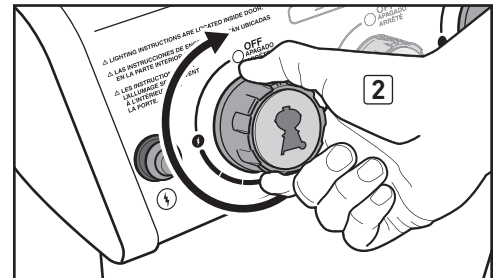
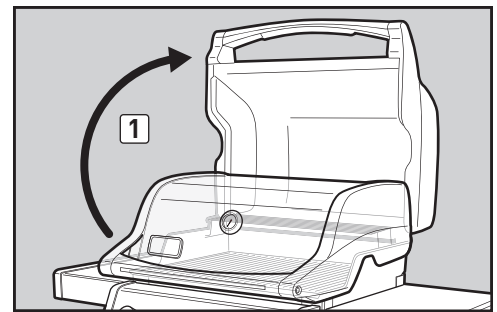
⚠ **MISE EN GARDE** : Lorsque vous allumez le grill ou que vous cuisinez, ne vous penchez jamais au-dessus d'un grill ouvert.

⚠ **MISE EN GARDE** : Si le brûleur 1 ne s'allume pas en cinq secondes, arrêtez, fermez le bouton de commande du brûleur puis patientez cinq minutes pour laisser le gaz se dissiper avant d'essayer à nouveau.

G) Une fois que le brûleur 1 est allumé, vous pouvez allumer le brûleur 2 (et le brûleur 3).

POUR ÉTEINDRE LE BRÛLEUR

Enfoncez chacun des boutons de commandes des brûleurs puis tournez-les dans le sens des aiguilles d'une montre vers la position d'arrêt (off) (○). Fermez l'arrivée de gaz à la source.



Certaines piles sont protégées par un emballage plastique. Ce plastique doit être retiré avant de tenter d'allumer votre grill. Ne confondez pas ce plastique avec l'étiquette de la pile.

DÉPANNAGE GÉNÉRAL

PROBLÈMES	SOLUTIONS
<p>Les brûleurs ne s'allument pas.</p> <p>Les brûleurs ont une petite flamme vacillante lorsque les boutons de commande des brûleurs sont en position élevée (‡).</p> <p>La température du grill n'atteint que 250° à 300° F en position élevée (‡).</p>	<p>La fonction de "contrôle du débit de gaz en excès", qui fait partie du raccord grill-vers-réservoir de gaz, a peut-être été activée. Pour réinitialiser la fonction de "contrôle du débit de gaz en excès", voir "ALLUMAGE DU BRÛLEUR PRINCIPAL."</p> <p>⚠ DANGER : Lorsque la fonction de "contrôle du débit de gaz en excès" est activée, une petite quantité de gaz circule toujours en direction des brûleurs. Après avoir fermé la valve du réservoir de PL et les boutons de commande des brûleurs, patientez au moins cinq minutes pour laisser le gaz se dissiper avant de tenter d'allumer le grill. Le non respect de cette consigne risque de provoquer un embrasement explosif, susceptible d'entraîner des blessures graves voire un décès.</p>
<p>Le brûleur ne s'allume pas lorsque vous enfoncez le bouton de l'allumeur.</p>	<p>Assurez-vous que du gaz circule en direction des brûleurs en tentant de les allumer à l'aide d'une allumette. Voir "ALLUMAGE DU BRÛLEUR PRINCIPAL—Allumage à l'aide d'une allumette". Si l'allumage à l'aide d'une allumette réussit, le problème provient du système d'allumage. Voir "MAINTENANCE DU SYSTÈME D'ALLUMAGE ÉLECTRONIQUE CROSSOVER."</p> <p>Assurez-vous que les fils sont correctement insérés dans les bornes sur le module de l'allumeur. Vérifiez que les câbles sont connectés aux bornes sur le bouton de l'allumeur dans le panneau de commande. Voir le "GUIDE DE CÂBLAGE DU MODULE DE L'ALLUMEUR."</p> <p>Si une pile neuve a été mise en place, confirmez que l'entourage en plastique de la pile a été retiré. Vérifiez que la pile est en bon état et qu'elle a été installée correctement. Voir "MAINTENANCE DU SYSTÈME D'ALLUMAGE ÉLECTRONIQUE CROSSOVER".</p>
<p>Le brûleur ne s'allume pas, ou la flamme est basse en position élevée (‡).</p>	<p>Le réservoir de PL pourrait avoir un niveau faible ou être vide. Rechargez le réservoir de PL.</p> <p>Le tuyau de combustible pourrait être plié ou pincé. Redressez le tuyau de combustible.</p>
<p>La forme de la flamme du brûleur est irrégulière.</p> <p>La flamme est basse lorsque le brûleur est en position élevée (‡).</p> <p>Les flammes ne courent pas sur toute la longueur du tube du brûleur.</p>	<p>Nettoyez les ports du brûleur qui sont déployés sur toute la longueur du tube de brûleur. Voir "NETTOYAGE DES PORTS DU TUBE DU BRÛLEUR."</p>
<p>Les brûleurs brûlent avec une flamme jaune ou orange, en association avec une odeur de gaz.</p>	<p>Vérifier l'obstruction éventuelle des filtres de protection contre les insectes/araignées. Nettoyez les filtres de protection contre les insectes/araignées. Voir "NETTOYAGE DES FILTRES DE PROTECTION CONTRE LES INSECTES/ARAIGNÉES."</p>
<p>Des embrasements se produisent.</p> <p>⚠ ATTENTION : ne couvrez pas le plateau amovible de récupération des graisses de papier aluminium.</p>	<p>Le barbecue doit être préchauffé avec tous les brûleurs à feu vif pendant 10 à 15 minutes. Voir "PRÉCHAUFFAGE DU BARBECUE."</p> <p>Nettoyez les grilles de cuisson, les barres à fond Flavorizer™ et la cuve de cuisson pour enlever la graisse. Voir "NETTOYAGE POUR LA PERFORMANCE."</p> <p>Le bac à graisse coulissant peut être sale, empêchant ainsi l'écoulement de la graisse dans le bac de récupération? Nettoyez le bac à graisses coulissant. Voir "NETTOYAGE DU SYSTÈME DE GESTION DE LA GRAISSE."</p>
<p>L'intérieur du couvercle semble "s'écailler." (Ressemble à de la peinture écaillée.)</p>	<p>L'intérieur du couvercle est en porcelaine émaillée ou en acier inoxydable. Il n'est pas peint. Il ne peut pas "s'écailler." Ce que vous voyez, c'est une accumulation de graisse carbonisée et qui se détache en formant des flocons. CE N'EST PAS UN DÉFAUT. Nettoyez de façon approfondie. Voir "NETTOYAGE DU COUVERCLE."</p>

Si les problèmes ne peuvent pas être corrigés en utilisant ces méthodes, veuillez contacter le représentant du Service clientèle le plus proche à l'aide des coordonnées à votre disposition sur notre site Internet. Connectez-vous sur www.weber.com.

ENTRETIEN D'UNE REPAS À L'AUTRE

Nettoyer votre barbecue à gaz chaque fois que vous grillez est une étape essentielle qui permettra de conserver votre barbecue à un haut rendement pour les années à venir. Ici, nous allons vous guider à travers les instructions, étape par étape, pour le nettoyage de votre barbecue avant chaque repas afin de vous assurer que votre nourriture est parfaite chaque fois. Pour un nettoyage plus profond, reportez-vous à la section Entretien.

Le plan d'entretien d'un repas à l'autre inclut ces trois étapes simples mais importantes qui doivent être suivies avant de faire fonctionner votre barbecue.

ENTRETIEN DU SYSTÈME DE GESTION DE LA GRAISSE

La première étape de notre plan d'entretien d'un repas à l'autre est d'inspecter le système de gestion de la graisse. Votre barbecue a été construit avec un système de gestion de la graisse qui inclut un bac à graisse coulissant à angle et un bac de récupération. La graisse est canalisée vers le bas sur le bac à graisse coulissant et dans le bac de récupération.

Accessoires nécessaires : Un racloir en plastique.

- A) Confirmez que le barbecue est éteint et froid.
- B) Retirez la glissière de bac à graisse coulissant par en tirant simplement sur le bac pour le sortir du meuble. Éliminez l'excès de graisse à l'aide d'un racloir en plastique (1).

⚠ ATTENTION : Ne recouvrez pas le bac à graisse coulissant de papier aluminium.

- C) Déposez le bac de récupération. Soulevez la cuvette ramasse-gouttes jetable hors du bac de récupération (2). Vérifier la présence de quantité excessive de graisse. Jeter la cuvette ramasse-gouttes jetable lorsque nécessaire et le remplacer par un nouveau.

⚠ AVERTISSEMENT : Avant chaque utilisation du barbecue, vérifiez l'absence d'accumulation de graisse au niveau du bac à graisse coulissant et du bac de récupération. Éliminez l'excès de graisse afin d'éviter qu'elle ne prenne feu. Un feu de friture peut entraîner des blessures graves ou provoquer des dommages matériels.

PRÉCHAUFFAGE DU BARBECUE

Le préchauffage de votre barbecue est la deuxième étape. La chaleur brûle ou libère les morceaux du repas précédent.

- A) Soulevez le couvercle du barbecue (3).
- B) Allumez votre barbecue selon les instructions d'allumage de ce guide ou celles imprimées sur l'intérieur de porte ou de la table latérale de votre barbecue au gaz.
- C) Abaissez le couvercle.
- D) Tourner tous les brûleurs à Start/High (démarrer/haute température) pour 10 à 15 minutes ou jusqu'à ce que le thermomètre indique 260° - 290°C (500° - 550°F) pour préchauffer le barbecue (4).
- E) Une fois le barbecue préchauffé, continuez le nettoyage de la grille de cuisson, comme décrit ci-dessous.

⚠ AVERTISSEMENT : Portez des gants ou mitaines résistants à la chaleur lorsque vous faites fonctionner le barbecue.

NETTOYER LA GRILLE DE CUISSON

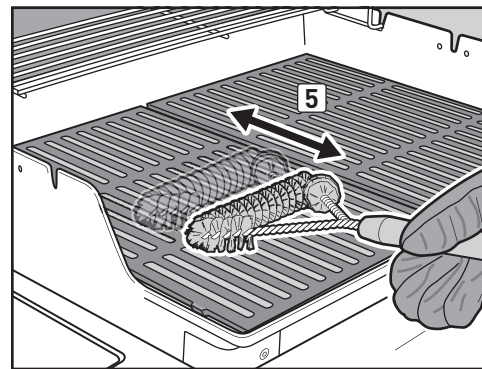
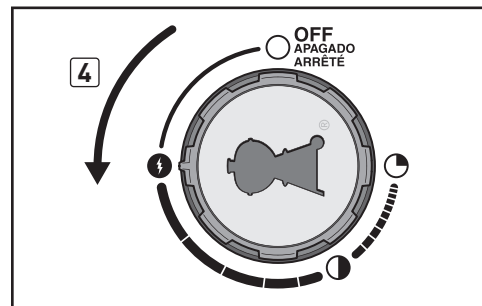
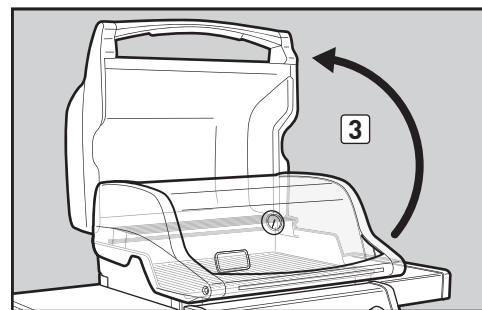
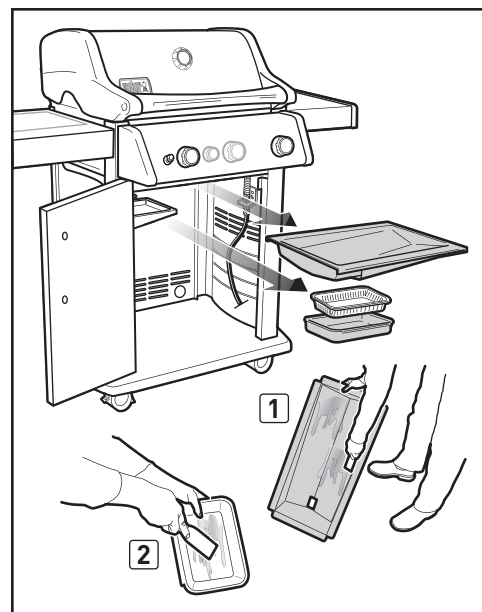
La dernière étape est de brosser les débris hors de la ou des grilles chaudes.

Accessoires nécessaires : Une brosse de barbecue à soies d'acier inoxydable.

- A) Immédiatement après le préchauffage, brossez les grilles avec une brosse de barbecue à soies d'acier inoxydable (5). Cette étape-là ne se justifie pas uniquement pour des raisons d'hygiène. Ceci empêche aussi les aliments de coller.

⚠ ATTENTION : Les brosses à barbecue doivent être vérifiées sur une base régulière pour des poils lâches et l'usure excessive. Remplacez la brosse si vous trouvez des soies lâches sur la grille de cuisson ou sur la brosse. Weber recommande d'acheter une nouvelle brosse à grille en acier inoxydable au début de chaque printemps.

Si vous remarquez que votre barbecue a des zones chaudes ou froides ou que les flammes ne brûlent pas bleu, vous devrez effectuer un nettoyage plus approfondi des tubes du brûleur. Reportez-vous à la section "NETTOYER POUR LA SÉCURITÉ" pour plus de détails.



NETTOYAGE DES TUBES DU BRÛLEUR

Au fil du temps, suite à un usage répété, votre gril peut présenter des symptômes qu'il a besoin d'un nettoyage plus approfondi. Certains de ces symptômes sont les suivants :

- Le barbecue n'atteint pas la température désirée
- Le barbecue ne chauffe pas de manière uniforme
- Un ou plusieurs brûleurs ne s'allument pas.
- Odeur de gaz et une mauvaise forme de la flamme

Ces symptômes surviennent parce que les tubes du brûleur ont besoin de soins supplémentaires. Il est essentiel de nettoyer les tubes du brûleur pour assurer que votre barbecue fonctionne aussi efficacement et sûrement que le premier jour.

⚠ DANGER

La négligence de rectifier les problèmes décrits dans cette page risque de causer un incendie, qui peut provoquer des blessures corporelles graves, voire mortelles, ainsi que des dommages matériels.

Deux zones sur les tubes du brûleur que sont importants pour la performance optimale sont les ports (petites ouvertures dans le sens de la longueur des tubes du brûleur) et les filtres de protection contre les insectes/ araignées sur les extrémités des tubes du brûleur. Il est essentiel de garder ces zones propre pour assurer un fonctionnement sûr.

Les tubes du brûleur dans votre barbecue Weber ont été réglés en usine pour assurer le bon mélange d'air et de gaz. Lorsque les tubes du brûleur fonctionnent correctement, vous verrez un motif de flamme particulier. Les pointes peuvent occasionnellement scintiller en jaune (1), avec une couleur de flamme décroissante du bleu clair (2) au bleu foncé (3). Si les flammes ne ressemblent pas à la description ci-dessus, ça pourrait être une indication que les orifices du brûleur et/ou les filtres de protection contre les insectes/araignées sont bouchés par des débris.

L'information ci-dessous est importante pour l'entretien de ces deux composants clés des tubes du brûleur.

NETTOYER LES PORTS DU TUBE DU BRÛLEUR

Au fil du temps, suite à une utilisation répétée du barbecue, les orifices du tube de brûleur (4) peuvent devenir sales et être bloqués. Les orifices bloqués et sales peuvent limiter le plein débit de gaz. Un tel phénomène peut donner lieu à un embrasement (5) dans et autour des soupapes de gaz, causant des dommages sérieux au barbecue.

Les symptômes courants d'orifices bloqués ou sales peuvent inclure :

- Le barbecue n'atteint pas la température désirée
- Le barbecue ne chauffe pas de manière uniforme
- Un ou plusieurs brûleurs ne s'allument pas
- On sent du gaz sortant de certains ou de tous les orifices non allumés

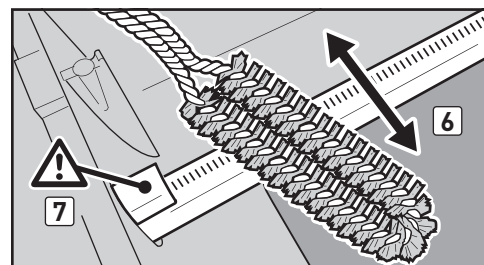
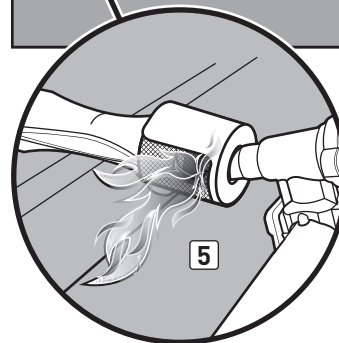
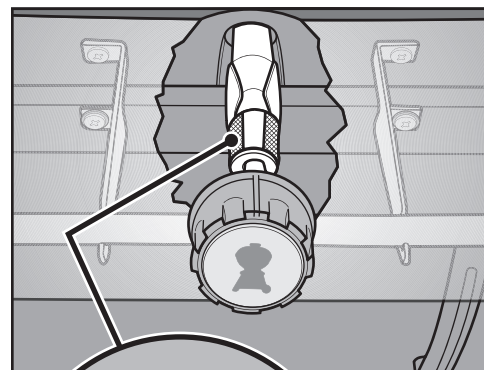
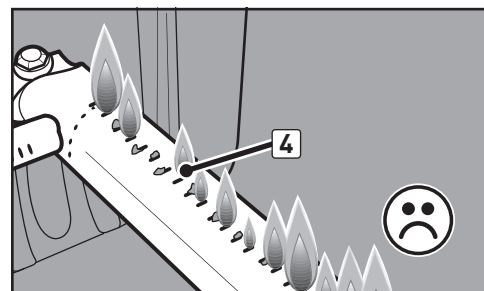
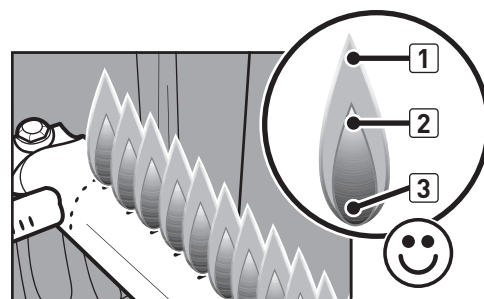
Remarque : Les symptômes ci-dessus peuvent également être un signe que la fonction "commande de débit de gaz" est activée. Reportez-vous à "ALLUMAGE PRINCIPAL DU BRÛLEUR" pour réinitialiser le dispositif de sécurité de débit excédentaire.

Accessoires nécessaires : Brosse de barbecue à soies d'acier inoxydable. Ne pas utiliser une brosse qui a déjà été utilisée pour nettoyer les grilles de cuisson.

- A) Confirmez que le barbecue est éteint et froid.
- B) Retirer les grilles de cuisson et les barres Flavorizer™.
- C) Utilisez la brosse pour nettoyer l'extérieur des tubes du brûleur et le tube(s) Crossover™ (6). Ne brossez pas longitudinalement le long du tube, puisque cela poussera les débris seulement d'un trou à l'autre. Notez que les tubes du brûleur se déplaceront légèrement, comme s'ils se sont desserrés, c'est normal.
- D) Lors du nettoyage de tube du brûleur 1, évitez d'endommager l'électrode d'allumage en brossant attentivement autour d'elle (7).

⚠ ATTENTION : ne pas agrandir les orifices des tubes du brûleur et ne pas utiliser d'objets tranchants pour effacer les orifices individuellement.

- E) Continuez par le nettoyage des filtres de protection contre les insectes/araignées.



NETTOYEZ LES FILTRES DE PROTECTION CONTRE LES INSECTES/ARAIGNÉES

Les ouvertures d'air de combustion des tubes du brûleur (1) sont équipées de filtres d'acier inoxydable pour empêcher les araignées et autres insectes de construire une toile et de faire leurs nids dans la venturi (conique) section (2) des tubes du brûleur. Ces nids peuvent gêner le débit normal de gaz, et peut causer le retour du débit de gaz dans l'ouverture d'air de combustion (3). Un tel phénomène peut donner lieu à un embrasement (4) dans et autour des soupapes de gaz, causant des dommages sérieux au barbecue. En outre, de la poussière et des débris peuvent s'accumuler sur l'extérieur des filtres de protection contre les insectes/araignées et obstruer le débit d'oxygène au tube du brûleur.

Les symptômes d'une obstruction des filtres de protection contre les insectes/araignées incluent :

- Odeur de gaz et flammes du brûleur jaunes et faibles.

Accessoires nécessaires : Un tournevis cruciforme, brosse à poils doux (brosse à dent).

- Débranchez les deux fils du bouton de brûleur situé sur le dessous de la console de contrôle du gaz (5).
REMARQUE : Tirez à partir des bornes aux extrémités des fils.
- Retirez les boutons de réglage (6).
- Retirez les vis de la face inférieure de la console de contrôle du gaz à l'aide d'un tournevis cruciforme (7).
- Soulevez soigneusement la console de contrôle du gaz, puis tirez vers l'avant pour l'éloigner du châssis (8).
- Vérifier les filtres de protection contre les insectes/araignées sur les extrémités des tubes du brûleur et nettoyez-les à l'aide de la brosse douce (9).

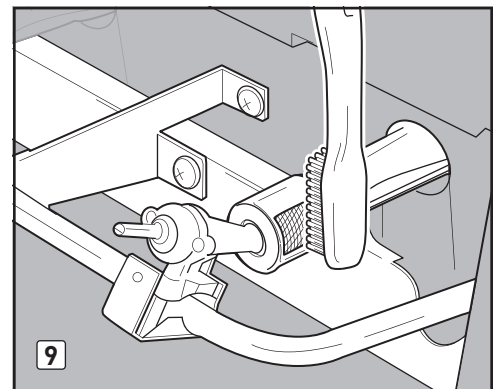
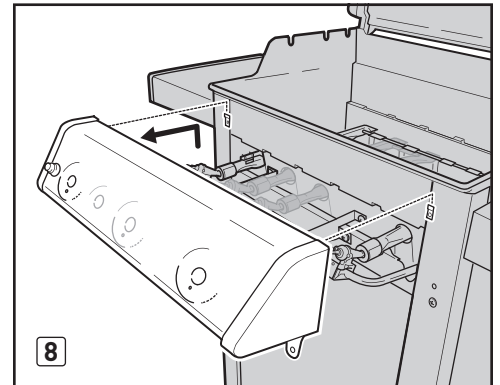
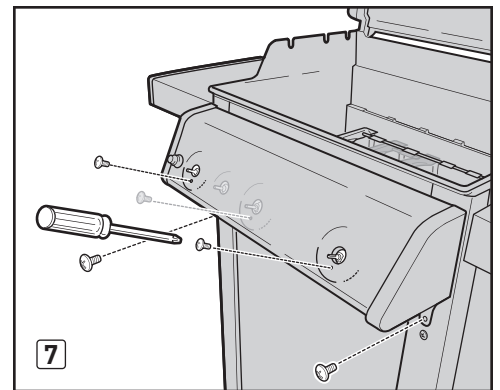
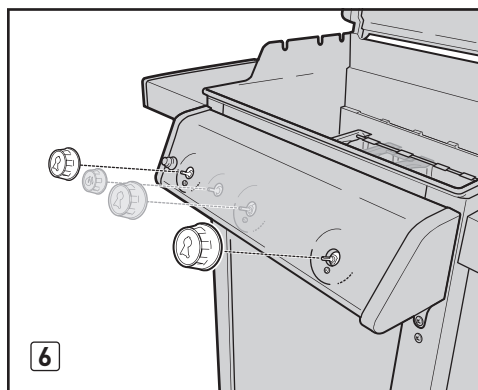
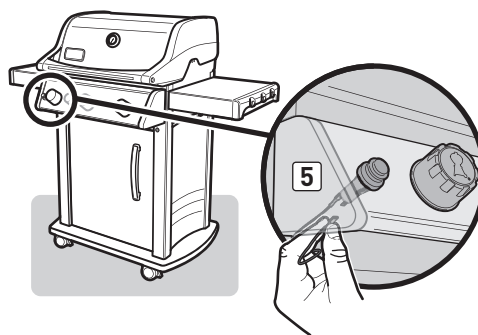
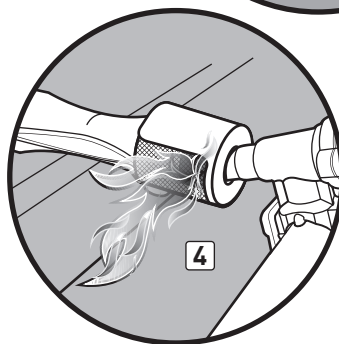
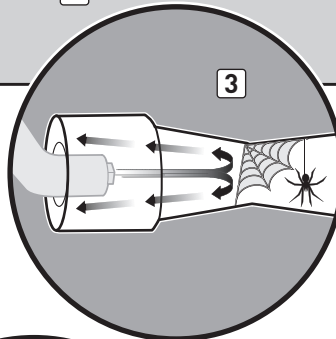
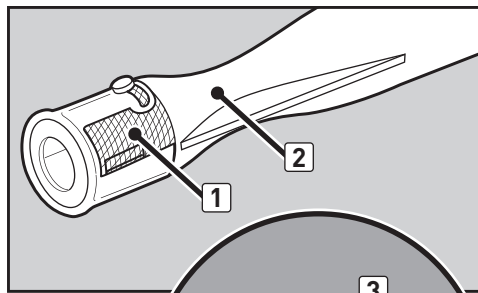
⚠ ATTENTION : N'utilisez pas d'outils durs ou pointus pour nettoyer les filtres de protection contre les araignées/insectes. Ne déplacez pas les filtres et n'élargissez pas leurs ouvertures.

- Réinstallez la console de contrôle du gaz par les tiges d'alignement de la soupape avec les trous dans la console de contrôle du gaz. Placez la bordure supérieure de la console de contrôle du gaz sur l'ensemble des pattes du châssis. Pousser la console de contrôle du gaz en position vers le bas.
- Fixez la console de contrôle du gaz avec les vis.
- Placez les boutons de réglage sur les tiges de soupapes.
- Brancher les fils sur le bouton d'allumage.

⚠ AVERTISSEMENT : Veuillez à ce que toutes les pièces soient montées et que la visserie est bien serrée avant d'utiliser le barbecue. Le non-respect du présent avertissement peut être à l'origine d'un incendie, d'une explosion ou d'une défaillance structurelle susceptibles de provoquer des blessures graves voire mortelles, ainsi que des dommages matériels.

CONTACTEZ LE SERVICE CLIENTÈLE

Si continuez d'avoir des symptômes après le nettoyage des orifices de brûleur et des filtres de protection contre les insectes/araignées, contactez le représentant du service à la clientèle de votre région en utilisant les informations de contact sur notre site web. Consultez le site www.weber.com.



MAINTENANCE PRÉVENTIVE

Au fil du temps, la performance de votre barbecue peut diminuer, s'il n'a pas été correctement entretenu. Une température basse, la chaleur non uniforme et la nourriture collant à la grille de cuisson sont tous des effets secondaires possibles d'un nettoyage et d'un entretien inadéquats. Le nettoyage du haut vers le bas de votre barbecue assurera que toutes les zones vitales sont soigneusement nettoyées chaque fois.

L'entretien préventive consiste à nettoyer plusieurs zones à l'intérieur de votre barbecue ainsi qu'à l'extérieur. Lorsque votre barbecue est à l'arrêt et froid, commencez par le nettoyage de l'intérieur du haut vers le bas pour maintenir le fonctionnement optimal de votre barbecue.

⚠ AVERTISSEMENT : Arrêtez votre barbecue à gaz Weber® et attendez qu'il se refroidisse avant de le nettoyer.

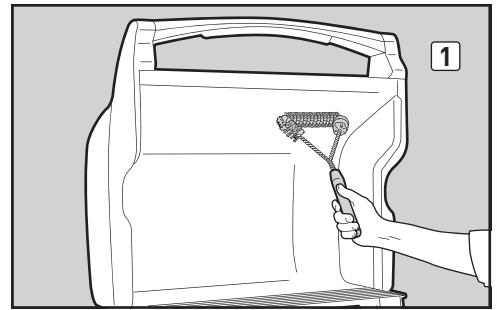
NETTOYAGE DU COUVERCLE

De temps en temps, vous remarquerez peut-être des paillettes "ressemblant à de la peinture" à l'intérieur du couvercle. Au cours de l'utilisation, de la graisse et les vapeurs de fumée se changent lentement en carbone et se déposent à l'intérieur de votre couvercle. Ce dépôt se pèlera finalement, et semble très similaire à de la peinture. Ces dépôts sont non toxiques, mais les flocons pourraient tomber sur votre nourriture si vous ne nettoyez pas le couvercle régulièrement.

Pour obtenir des égouttoirs jetables de rechange, des grilles de cuisson et des barres Flavorizer™, contactez le représentant du Service clientèle le plus proche à l'aide des coordonnées à votre disposition sur notre site Internet. Connectez-vous sur www.weber.com.

Accessoires nécessaires : Une brosse de barbecue à soies d'acier inoxydable, un serviette en papier.

- A) Brossez la graisse carbonisée depuis l'intérieur du couvercle avec une brosse à grille à soies en acier inoxydable (1). Pour minimiser encore l'accumulation, l'intérieur du couvercle peut être frotté avec une serviette en papier après la cuisson alors que le barbecue est encore chaud (pas brûlant).



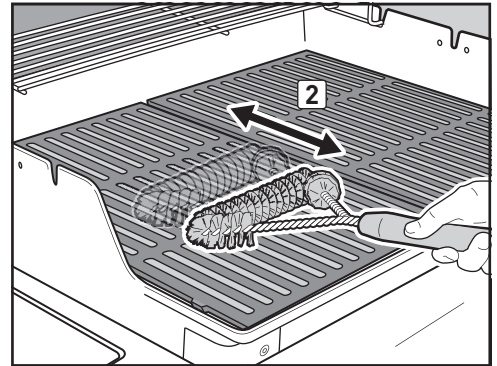
NETTOYER LES GRILLES DE CUISSON

Si vous avez effectué le nettoyage de vos grilles de cuisson comme recommandé dans notre plan d'entretien d'un repas à l'autre, le débris de votre grille devrait être minime.

Accessoires nécessaires : Une brosse de barbecue à soies d'acier inoxydable.

- A) Avec les grilles installées, brossez les débris de votre grille de cuisson avec une brosse de barbecue à soies d'acier inoxydable (2).

⚠ ATTENTION : Les brosses à barbecue doivent être vérifiées sur une base régulière pour des poils lâches et l'usure excessive. Remplacez la brosse si vous trouvez des soies lâches sur la grille de cuisson ou sur la brosse. Weber recommande d'acheter une nouvelle brosse à grille en acier inoxydable au début de chaque printemps.



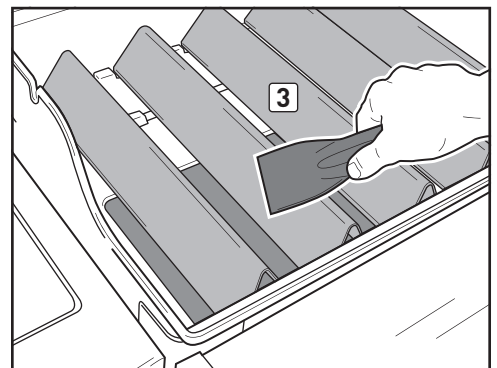
- B) Retirez les grilles et la grille réchauffage. (Ne les placez pas sur une table à côté du barbecue car ils risqueraient de rayer la peinture ou l'acier inoxydable.)

NETTOYAGE DU FLAVORIZER™ BARS

Lorsqu'ils sont au bon angle, les barres Flavorizer™ saisissent les jus de cuisson qui causent la fumée et le grésillement ajoutant de la saveur à vos aliments. Tous les jus de cuisson non vaporisés par les barres du Flavorizer™ suivent la pente de leur angle et sont canalisés loin de des tubes du brûleur. Non seulement est-ce que cela aide à éviter les éclatements à l'intérieur de votre barbecue, mais il protège également les tubes du brûleur contre l'obstruction.

Accessoires nécessaires : Un racloir de plastique, brosse à grille à soies en acier inoxydable.

- A) Racler les barres du Flavorizer™ avec le racloir en plastique (3).
 B) Si nécessaire, brossez les barres du Flavorizer™ avec la brosse à grille à soies en acier inoxydable.
 C) Retirez les barres du Flavorizer™ et mettez les de côté. (Ne les placez pas sur une table à côté du barbecue car ils risqueraient de rayer la peinture ou l'acier inoxydable.)



⚠ ATTENTION : Ne nettoyez pas les barres du Flavorizer™ ou les grilles de cuisson dans un évier, un lave-vaisselle ou un four auto-nettoyant.

⚠ ATTENTION : Au fil du temps, des surfaces rugueuses peut se produire sur les barres du Flavorizer™. Le port de gants est recommandé lors de la manipulation.

NETTOYAGE DES TUBES DU BRÛLEUR

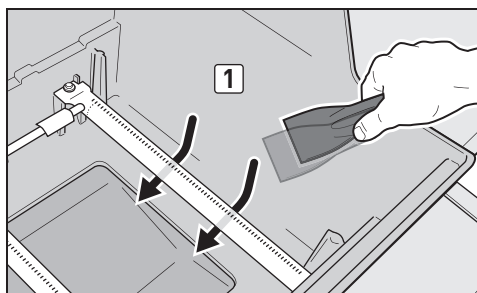
Maintenir les tubes du brûleur propres est essentiel pour obtenir des performances optimales. Reportez-vous aux pages précédentes pour savoir comment nettoyer les orifices des tubes du brûleur et les filtres de protection contre les insectes/araignées.

NETTOYAGE DE LA CUVE DE CUISSON

Regardez à l'intérieur de la cuve de cuisson pour toute accumulation de graisse ou des particules de nourriture. L'accumulation excessive peut provoquer un incendie.

Accessoires nécessaires : Un racloir en plastique.

- A) Utiliser le racloir en plastique pour gratter les débris sur les côtés et le bas du grill vers l'ouverture au fond de la cuve de cuisson (1). Cette ouverture dirige les débris dans le bac à graisse coulissant.

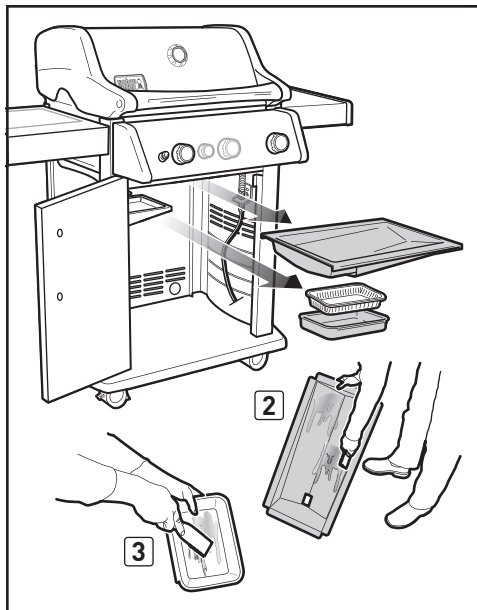


NETTOYAGE DU SYSTÈME DE GESTION DE LA GRAISSE

Votre barbecue a été construit avec un système de gestion de la graisse qui inclut un bac à graisse coulissant à angle et un bac de récupération. La graisse est canalisée vers le bas sur le bac à graisse coulissant et dans le bac de récupération.

Accessoires nécessaires : Un racloir en plastique, serviette en papier.

- A) Retirez la glissière de bac à graisse coulissant par en tirant simplement sur le bac pour le sortir du meuble. Éliminez l'excès de graisse à l'aide d'un racloir en plastique (2). Si désiré, essuyez l'excès avec une serviette en papier.
- B) Déposez le bac de récupération. Soulevez la cuvette ramasse-gouttes jetable hors du bac de récupération et jetez-la (3). Remplacez-la par une nouvelle cuvette ramasse-gouttes jetable.



⚠ AVERTISSEMENT : Avant chaque utilisation du barbecue, vérifiez l'absence d'accumulation de graisse au niveau du bac à graisse coulissant et du bac de récupération. Éliminez l'excès de graisse afin d'éviter qu'elle ne prenne feu. Un feu de friture peut entraîner des blessures graves ou provoquer des dommages matériels.

⚠ ATTENTION : Ne recouvrez pas le bac à graisse coulissant de papier aluminium.

NETTOYER L'EXTÉRIEUR DE LA GRILLE

L'extérieur de votre barbecue peut inclure des surfaces en acier inoxydable, en porcelaine-émaillée et en plastique. Weber recommande les méthodes suivantes en fonction du type de surface.

Surfaces en acier inoxydable

Nettoyez l'acier inoxydable en utilisant un produit nettoyant ou polissant pour acier inoxydable non toxique et non-abrasif, conçu pour l'utilisation sur les produits de plein air et les barbecues. Ne prenez pas les risques de rayer votre acier inoxydable avec une pâte abrasive qui ne nettoie ou ne polis pas, mais change la couleur du métal en retirant le revêtement supérieur d'oxyde de chrome. N'utilisez pas de serviette en papier.

Accessoires nécessaires : Chiffon en microfibre, nettoyant pour acier inoxydable.

- A) Aspergez le nettoyant sur les zones en acier inoxydable du barbecue. À l'aide d'un chiffon en microfibre, nettoyez dans le sens du grain de l'acier inoxydable.

Surfaces peintes, en porcelaine-émaillée et les composants en plastique

Nettoyez les surfaces peintes, en porcelaine-émaillée et en plastique sur l'extérieur de votre barbecue avec de l'eau chaude savonneuse.

Accessoires nécessaires : Eau savonneuse chaude, serviettes de papier ou chiffon.

- A) Essuyez les surfaces avec de l'eau chaude savonneuse. Rincez et séchez-les soigneusement.

⚠ IMPORTANT : N'utilisez pas l'un quelconque des produits suivants pour nettoyer votre barbecue : Poliss abrasifs ou peintures à acier inoxydable, les produits de nettoyage qui contiennent de l'acide, du spiritueux minéral, ou du xylène, un nettoyant pour four, des produits nettoyants abrasifs (nettoyants de cuisine), et des tampons de nettoyage abrasifs.

NETTOYAGE DE L'EXTÉRIEUR DES BARBECUES QUI SONT DANS DES ENVIRONNEMENTS UNIQUES

Si votre barbecue est soumis à un environnement particulièrement rude, vous devrez nettoyer l'extérieur plus souvent. La pluie acide, les produits chimiques pour la piscine et l'eau salée peut causer la présence de rouille en surface. Essuyez l'extérieur de votre barbecue avec de l'eau chaude savonneuse. Complétez le par un rinçage et séchage en profondeur. De plus, vous souhaitez éventuellement effectuer une application hebdomadaire d'un nettoyant pour acier inoxydable pour éviter la rouille en surface.

STOCKAGE ET/OU INUTILISATION

Pour les grils qui ont été stockés ou qui ont été inutilisés pendant un certain temps, il est important de suivre ces recommandations :

- Le gaz doit être fermé au niveau du réservoir de PL lorsque le grill à gaz Weber® est inutilisé.
- Si vous stockez le grill à gaz Weber® à l'intérieur, commencez par DEBRANCHER l'arrivée de gaz puis stockez le réservoir de PL en extérieur dans un espace bien ventilé.
- Ne stockez pas un réservoir de PL débranché dans un bâtiment, un garage ou toute autre zone confinée.
- Si vous ne débranchez pas le réservoir de PL du grill à gaz Weber®, assurez-vous de conserver le grill et le réservoir de gaz à l'extérieur dans une zone bien ventilée.
- Le grill à gaz Weber® devrait faire l'objet d'un contrôle afin de détecter les fuites de gaz et les obstructions éventuelles à l'intérieur des tubes du brûleur avant d'être utilisé. (Voir "NETTOYER POUR LA SÉCURITÉ".)
- Vérifiez que les zones situées sous le panneau de commande et le plateau de récupération des graisses amovible ne comportent aucun débris susceptible de faire obstruction au passage de l'air nécessaire à la combustion ou à la ventilation.
- La grille anti-araignées/insectes devrait également faire l'objet d'un contrôle afin de vérifier si elle est obstruée. (Voir "NETTOYER POUR LA SÉCURITÉ".)

ALLUMAGE DU SYSTÈME D'ALLUMAGE

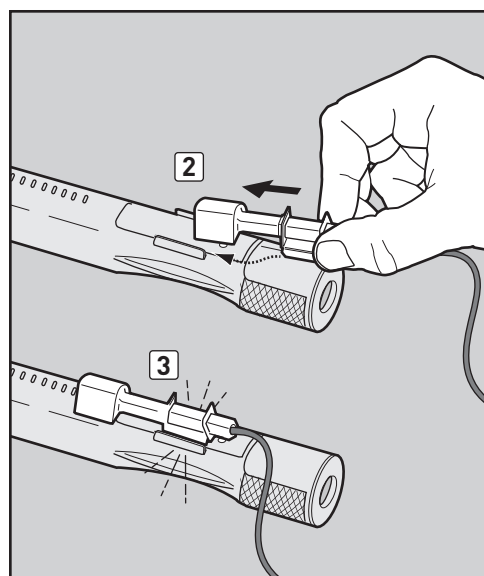
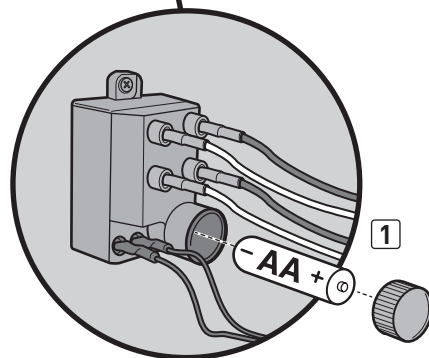
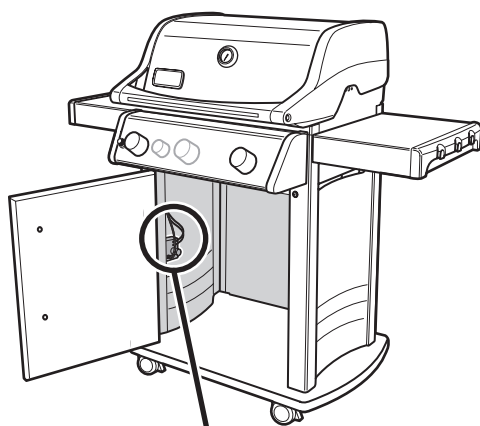
MAINTENANCE DU SYSTÈME D'ALLUMAGE ÉLECTRONIQUE CROSSOVER™

Le module d'allumage fournit de l'électricité au système d'allumage électronique Crossover™ et au brûleur latéral à l'aide d'un bouton unique pour l'allumeur. Que vous soyez en train d'effectuer une maintenance de routine ou un contrôle de détection des fuites sur le système d'allumage, veuillez lire les informations suivantes afin de maintenir le fonctionnement correct de votre système d'allumage.

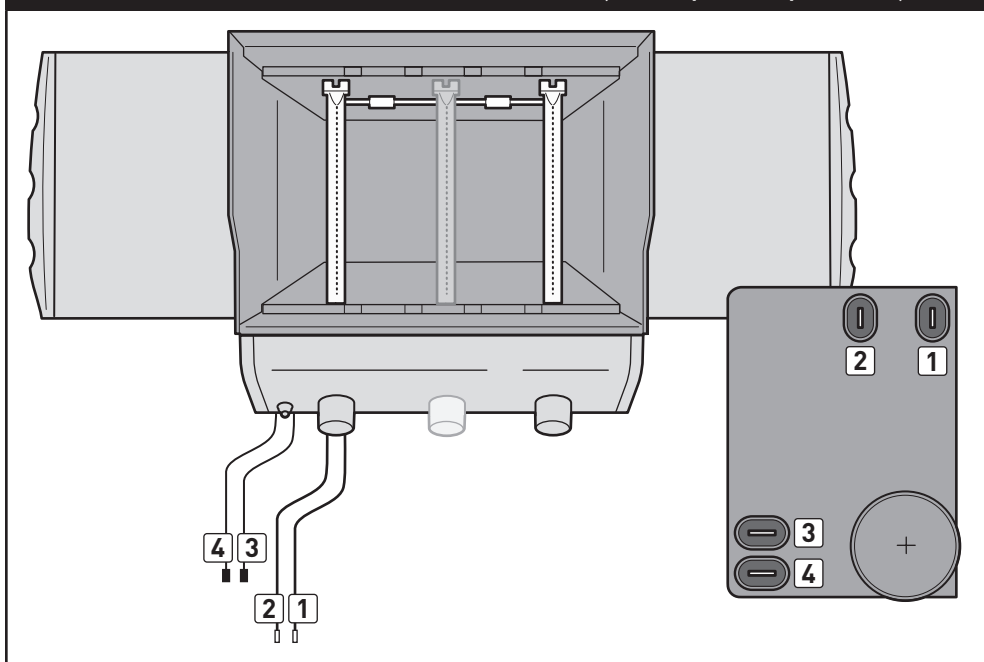
Si le système d'allumage électronique Crossover™ ne s'allume pas, vous aurez besoin de définir précisément où le problème se produit : au niveau du débit de gaz ou au niveau du système d'allumage électronique. Commencez par tentez d'allumer vos brûleurs à l'aide d'une allumette. Voir "ALLUMAGE DU BRÛLEUR PRINCIPAL - Allumage à l'aide d'une allumette." Si l'allumage avec une allumette fonctionne, le problème provient au système d'allumage.

- Vérifiez que la pile AA (alcaline uniquement) est en bon état et qu'elle est installée correctement **(1)**. Certaines piles sont protégées par un emballage en plastique. Ce plastique doit être retiré avant d'installer la pile. Ne confondez pas ce plastique avec l'étiquette de la pile.
- Assurez-vous que les câbles de l'allumeur sont correctement fixés au module d'allumage. Voir le tableau "GUIDE DE CÂBLAGE DU MODULE D'ALLUMAGE" sur cette page.
- Assurez-vous que l'assemblage de l'allumeur en céramique est complètement inséré dans le canal de l'allumeur du tube du brûleur **(2)**. S'il est correctement positionné, vous entendrez un déclic **(3)**.
- Assurez-vous que le bouton de l'allumeur électronique fonctionne en écoutant les déclics et en regardant les étincelles au niveau du brûleur.

Si le système d'allumage électronique Crossover™ ne parvient toujours pas à allumer le brûleur, veuillez contacter le représentant du Service clientèle le plus proche à l'aide des coordonnées à votre disposition sur notre site Internet. Connectez-vous sur www.weber.com.



GUIDE DE CÂBLAGE DU MODULE D'ALLUMAGE (E-210™ / E-310™ / SP-310™)



BRÛLEUR 1	BOUTON D'ALLUMAGE
Borne noire (1)	Borne noire (3)
Borne jaune (2)	Borne noire (4)

⚠ ATTENTION : Ce produit a fait l'objet de tests de sécurité et est certifié pour une utilisation dans un pays particulier uniquement. Vérifiez la désignation de pays située sur le carton d'emballage.

Ces pièces peuvent contenir du gaz ou être des éléments dont la combustion produit du gaz. Veuillez consulter le Service clientèle de Weber-Stephen Products LLC pour des renseignements sur les pièces de rechange originales de Weber-Stephen Products LLC.

⚠ MISE EN GARDE : Ne tentez pas d'effectuer des réparations sur des éléments contenant du gaz ou sur des éléments dont la combustion produit du gaz sans contacter le service clientèle de Weber-Stephen Products LLC. Si vous ne suivez pas la présente Mise en garde relative au produit, vos actions risquent de provoquer un incendie ou une explosion entraînant des blessures physiques graves voire un décès ainsi que des dégâts matériels.



WEBER-STEPHEN PRODUCTS LLC
www.weber.com