



## Medium-Duty Commercial Microwave Ovens

QUALITY AND DEPENDABILITY THAT GO ABOVE AND BEYOND

### Heating Appliance When You Need It

Perfect for smaller kitchens that do not require volume cooking, Sharp® medium-duty, stainless steel microwave ovens feature a generous 1.0 cubic-foot capacity and a convenient 1,000-watt power output. They're ideal for defrosting, heating up or cooking small food items, and bring a new dimension of dependability to break rooms, hospitals, convenience stores, gas stations, and countless other settings. An array of easy-to-use features and one-touch controls add versatility—without the added costs of using a high-powered microwave or oven.

Featuring full stainless steel cabinets, interiors, and doors, our microwaves are built with specially designed latch handles that reduce door failure, one of the most frequent problems on units of lesser quality. These durable units stand up well to day-to-day use and are built to last.



R-21LCFS 1000 watts



R-21LVF 1000 watts



R-21LTF 1000 watts

### R-21LCFS

**Dependable 6-Minute Electronic Dial Timer** – is clearly marked in 10, 15 and 30-second increments.

When the door is opened during cooking, the remaining time is cancelled. This is a vast improvement over mechanical dial models that continue counting down after the food is removed – wasting energy and reducing the magnetron's life.

**Heating Time Guide** – recommends times for heating a variety of popular foods. It's a handy "on-the-spot" reference for time-saving convenience.

### R-21LVF

**Computerized Touch Controls** – provides 10 programmable memories with one-second increment timing; built-in safeguards prevent unauthorized changes.

**Double Quantity Pad** – automatically provides optimum heating times for two portions for excellent results.

**Express Defrost™** – automatically divides total defrosting time into 3 stages with 3 power levels.

**Memory Check** – lets the user confirm the time setting and power level for each memory pad.

### R-21LTF (includes features above)




**Two-Way Programming** – use any of the pre-programmed memories or manually program up to 20 of your own.

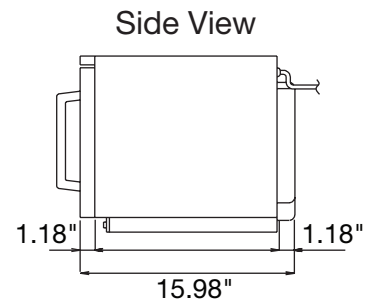
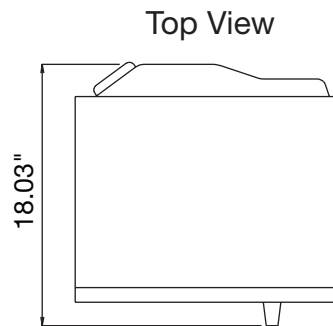
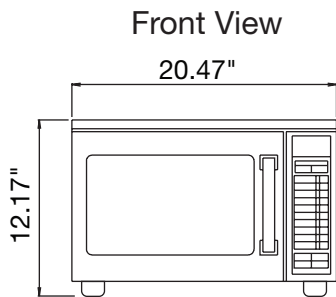
**3-Stage Programming** – program food to defrost, then cook at one power level and finish cooking at another.

**Counter Check** - lets the oven "remember" how often each feature was used plus the total number of manual uses so managers can keep closer tabs on operation.

# Product Specifications

## MEDIUM DUTY COMMERCIAL MICROWAVE OVENS

| Model Number:                              | R-21LTF   | R-21LVF   | R-21LCFS  |
|--|---|---|---|
| <b>Oven Control</b>                        | Touch sensitive pads with Braille   | Touch sensitive pads with Braille   | Electronic Light Up Dial with Auto Cancel   |
| <b>Output Power (IEC)</b>                  | 1000W   | 1000W   | 1000W   |
| <b>Cabinet and Oven Interior</b>           | Stainless steel cabinet and interior  | Stainless steel cabinet and interior  | Stainless steel cabinet and interior  |
| <b>Special Features</b>                    | 20 Memories, Double Quantity, Express Defrost™, 3-stages, Memory Check                    | 10 Memories, Double Quantity, Express Defrost™, Memory Check                              | Heating Time Guide, 6-minute coded, Light Up Dial timer, Auto Cancel                        |
| <b>Variable Power Levels SelectaPower™</b> | 11  | 100% only   | 100% only   |
| <b>Cavity Dimensions: (W × H × D)</b>      | 13 7/8" × 8 1/8" × 14 5/8"<br>1.0 cu. ft.   | 13 7/8" × 8 1/8" × 14 5/8"<br>1.0 cu. ft.   | 13 7/8" × 8 1/8" × 14 5/8" 1.0 cu. ft.  |
| <b>Outside Dimensions: (W × H × D)</b>     | 20 1/2" × 12 1/8" × 16"   | 20 1/2" × 12 1/8" × 16"   | 20 1/2" × 12 1/8" × 16"   |
| <b>Weight: Net / Shipping</b>              | 37 lbs / 44 lbs   | 37 lbs / 44 lbs   | 37 lbs / 44 lbs   |
| <b>AC Power Required</b>                   | 120V, 60 Hz, 1.55kW, 14A  | 120V, 60 Hz, 1.55kW, 14A  | 120V, 60 Hz, 1.55kW, 14A  |
| <b>NEMA Receptacle</b>                     | 5-15 R  | 5-15 R  | 5-15 R  |
| <b>UPC</b>                                 | 074000616509  | 074000616486  | 074000620483  |



# SHARP®

SHARP ELECTRONICS CORPORATION  
100 Paragon Dr, Ste 100, Montvale, NJ 07645  
©2018 Sharp Electronics Corporation.  
All rights reserved.

Design and specifications subject to change without notice.  
Sharp is a registered trademark of Sharp Corporation. TwinTouch, SelectaProgram, SelectaPower, SelectaTime and Express Defrost are trademarks of Sharp Corporation. All other trademarks are the property of their respected owners.

