



Vestil Manufacturing Corp.
 2999 North Wayne Street, P.O. Box 507, Angola, IN 46703
 Telephone: (260) 665-7586 -or- Toll Free (800) 348-0868
 Fax: (260) 665-1339
 Web: <https://www.vestil.com/> Email: info@vestil.com

LAD-PW Series Mobile Ladder Stands Instruction Manual



Receiving Instructions

After delivery, remove the packaging from the product. Inspect the product closely to determine whether it sustained damage during transport. If damage is discovered, record a complete description of it on the bill of lading. If the product is undamaged, discard the packaging.

NOTE: The end-user is solely responsible for confirming that product design, use, and maintenance comply with laws, regulations, codes, and mandatory standards applied where the product is used.

Technical Service & Replacement Parts

For answers to questions not addressed in these instructions and to order replacement parts, labels, and accessories, call our Technical Service and Parts Department at (260) 665-7586. The department can also be contacted online at <https://www.vestil.com/page-parts-request.php>.

Electronic Copies of Instruction Manuals

Additional copies of this instruction manual may be downloaded from <https://www.vestil.com/page-manuals.php>.

Table of Contents

Specifications.....	2
Signal Words.....	3
Safety Instructions.....	3
Exploded Views and Bills of Materials.....	4 - 13
LAD-PW-(18/26/32)-(2/3/4/5)-(P/G).....	4, 5
LAD-PW-(18/26/32)-(6/7)-(P/G).....	6, 7
LAD-PW-(18/26/32)-(8/9/10)-(P/G).....	8, 9
LAD-PW-(26/32)-11-(P/G).....	10, 11
LAD-PW-(26/32)-12-(P/G).....	12, 13
Installing Front Casters: 2-5 Step Models.....	14
Installing Front Casters: 6-12 Step Models.....	15
Assembling the Ladder.....	16, 17, 18, 19, 20
Record of Satisfactory Condition.....	20
National Standards.....	20
Using the Ladder.....	20, 21
Inspections & Maintenance.....	21
Labeling Diagram.....	22
Limited Warranty.....	23

SPECIFICATIONS

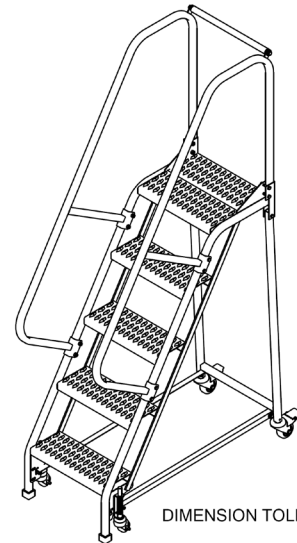
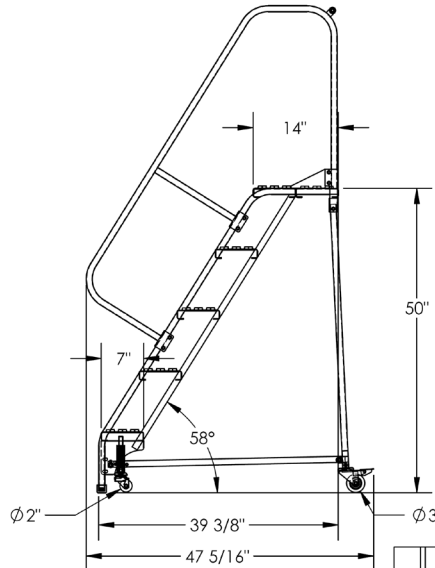
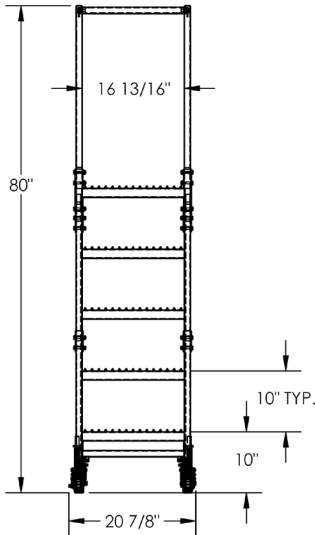
Documents that provide specifications for LAD-PW series mobile ladder stands are available online to anyone who visits Vestil's website. Specifications include dimensions, net weight, and capacity information. To access the appropriate specifications document, navigate to the LAD-PW webpage at <https://www.vestil.com/product.php?FID=603>. Scroll the page to the entry for the ladder model you purchased. Click the button in the "PDF" column that looks like a pencil inside a blue-bordered box. A PDF file will open. This file is the specifications document. Print a copy of the document and keep it with your copy of this manual.

This is an exemplar specifications document, in this case, for a model LAD-PW-18-5-G ladder:

STANDARD SLOPE LADDER, 5-STEP, GRIP STRUT- LAD-PW-18-5-G

APPROX WEIGHT: 100.70 lbs.
DOES NOT INCLUDE WEIGHT OF POWER OR PACKAGING!!!

*** ANY ADDITIONS, DELETIONS, OR OMISSIONS MUST BE CORRECTED ON THIS DRAWING AS THIS DRAWING WILL BE CONSIDERED ALL INCLUSIVE ***
ALL GRAPHICS PROVIDED ARE FOR REFERENCE ONLY. IF CERTAIN DIMENSIONS ARE CRITICAL PLEASE VERIFY THOSE DIMENSIONS WITH YOUR SALESPERSON



DIMENSION TOLERANCE ± 1/4"

STANDARD FEATURES

- MODEL NUMBER IS LAD-PW-18-5-G
- OVERALL WIDTH IS 20 7/8"
- USABLE WIDTH IS 16 13/16"
- OVERALL LENGTH IS 47 5/16"
- USABLE LENGTH IS 39 3/8"
- OVERALL HEIGHT IS 80"
- PLATFORM HEIGHT IS 50"
- COLOR IS VESTIL BLUE
- STEP TYPE IS GRIP STRUT
- CLIMB ANGLE IS 58°
- STEP DEPTH IS 7"
- PLATFORM DEPTH IS 14"
- MAX CAPACITY IS 350 LBS
- FRONT Ø2" DIRECTIONAL SPRING-LOADED SWIVEL CASTERS
- REAR Ø3" SWIVEL LOCK CASTERS

NOTE

SOME ASSEMBLY REQUIRED
TOOL TRAY SOLD SEPARATELY

SPECIAL FEATURES

NONE

APPROVAL

I, THE UNDERSIGNED, AGREE THAT THE PRODUCT AS REPRESENTED SATISFIES DESIGN AND DIMENSION REQUIREMENTS. I ALSO ACKNOWLEDGE MY DUTY TO CONFIRM PRODUCT AND INSTALLATION COMPLIANCE WITH ALL APPLICABLE FEDERAL, STATE AND LOCAL REGULATIONS AND STANDARDS.
ALL SPECIAL UNITS ARE NON-RETURNABLE
[] As drawn [] As marked

Signed: _____ Date: _____

LEAD TIME WILL START UPON RECEIPT OF SIGNED APPROVAL DRAWING

FOR INTERNAL USE ONLY PROJECT SIGN OFF		DISTRIBUTOR'S NAME: VESTIL MANUFACTURING		P.O.# X
SALES		DRAWN BY:	DATE:	W.O.# X
ENG.		REFERENCE: X		SALES: X
FAB.		QUOTED LEAD TIME: X	QUOTE # X	SCALE: 1:20 FILE NAME:
POWER				

NOTE: If your model is not included on the LAD-PW webpage, or if you cannot access and/or print the specifications document, contact the [Technical Service Dept.](#) Contact information for the department is provided on the cover page of this manual.

SIGNAL WORDS

SIGNAL WORDS appear in this manual to draw attention to messages about actions and uses of the product that are likely to result in personal injuries. Each signal word indicates a specific level of seriousness of injury. The NOTICE signal word calls attention to uses of the product likely to cause property damage. Signal words used in this manual appear below along with their definitions.



Identifies a hazardous situation which, if not avoided, WILL result in DEATH or SERIOUS INJURY. Use of this signal word is limited to the most extreme situations.



Identifies a hazardous situation which, if not avoided, COULD result in DEATH or SERIOUS INJURY.



Identifies practices likely to result in product/property damage, such as operation that might damage the ladder.

SAFETY INSTRUCTIONS

Vestil strives to identify hazards associated with the use of its products. However, no manual can address every conceivable risk. The most effective way to avoid injury is to exercise sound judgment when assembling, using, inspecting, and maintaining this ladder. **Keep a copy of this manual with the ladder at all times.** For example, put a copy inside a plastic pouch and attach the pouch to the frame. **Anyone who uses this ladder must be made aware that a copy of the manual is available and where to find it.**



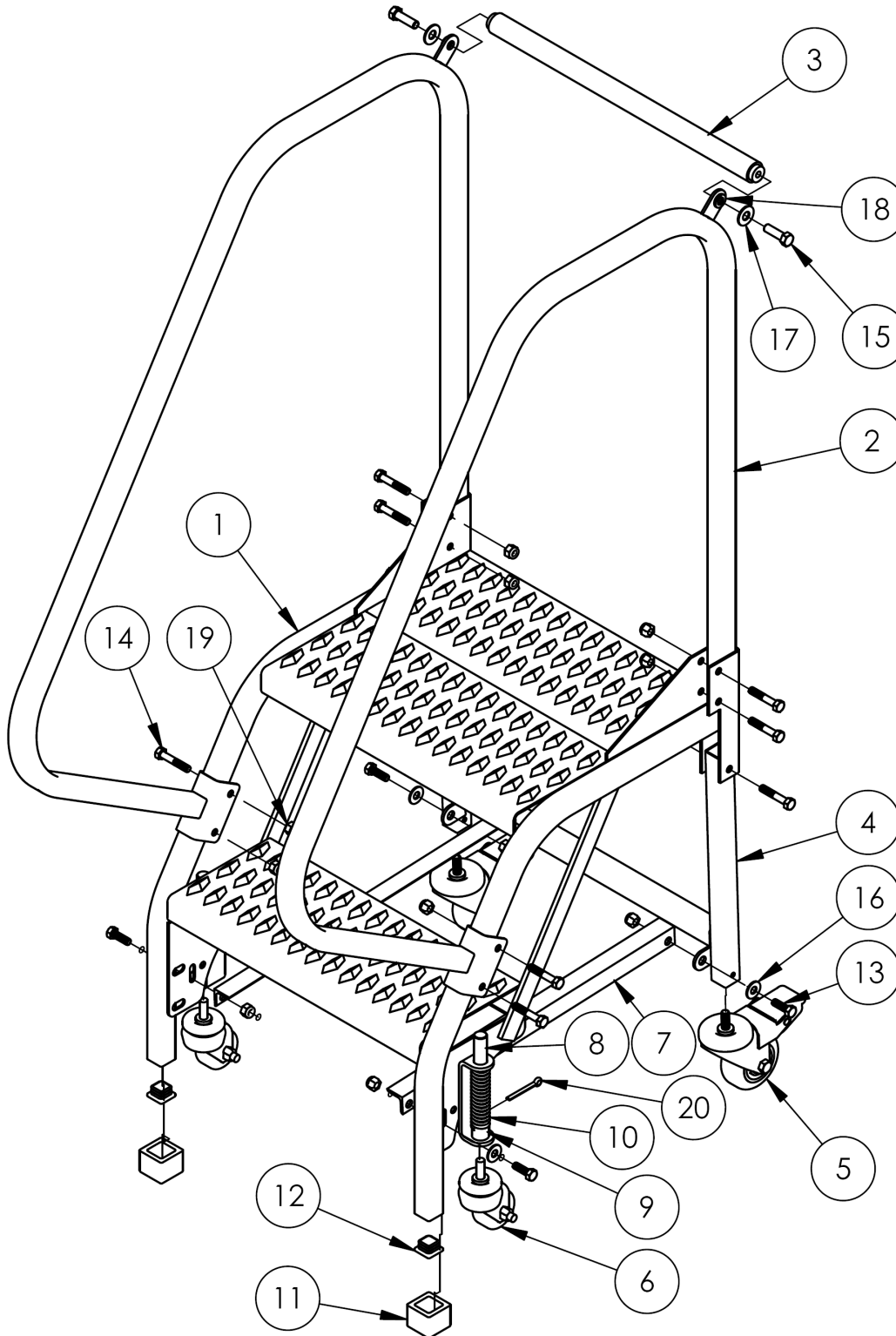
Risk of serious personal injuries or death.

- **Read and understand the entire manual before assembling, using, inspecting, or servicing the ladder.**
- **DO NOT use this ladder unless you are in good health. NEVER use the ladder while under the influence of alcohol or drugs, including prescription medication that affects balance, perception, or judgment.**
- DO NOT exceed the capacity/rated load. The total weight applied to the ladder (weight of the user plus tools, etc.) must not be greater than the capacity. The capacity is provided on label 287. See [Labeling Diagram](#) on p. 22.
- Wear appropriate footwear. DO NOT wear high-heeled shoes or footwear with smooth soles.
- DO NOT use the ladder on uneven, sloped, or unstable surfaces. ONLY use the ladder on even, level surfaces.
- Make sure that you will not contact overhead objects with either your body or with the ladder during use.
- Avoid electrical shock! Take precautions to prevent any contact, or possible contact, with an energized, insulated conductor (electrical line).
- Remove foreign matter, e.g. mud, from your shoes before walking on the ladder. Only wear slip-resistant shoes.
- Only stand on the steps or the platform. DO NOT climb onto the railing. DO NOT slide on the railing.
- DO NOT access, or egress from, any step or the platform from another elevated surface unless the ladder is positively secured against movement.
- ALWAYS face the stairs and use the handrails while ascending and descending the ladder.
- DO NOT increase the height of the platform or of a step by standing on other objects placed on the ladder.
- Inspect the ladder as described in [Inspections & Maintenance](#) on p. 21. DO NOT use the ladder unless it is in *Satisfactory Condition*. ONLY use manufacturer-approved replacement parts when repairs are necessary.
- DO NOT use the ladder if the caps on the front legs are significantly worn. See applicable [Exploded View](#) on p. 4-13. Caps should prevent the ladder from sliding. If either or both caps are too worn to function properly, replace them before using the ladder again.
- ONLY use the ladder to access elevated working positions. DO NOT use the ladder for any other purpose. DO NOT store materials and/or equipment on the steps or platform. Always unload the ladder before leaving it unattended.
- DO NOT position an occupied ladder in front of a door unless that door is secured in an open position, is locked, is attended, or is barricaded.
- DO NOT lean, or reach, over the handrails or guardrails of the ladder. Position the ladder as close to the work as possible. Reposition the ladder to prevent overreaching. Overreaching could cause instability and result in a fall.
- Avoid sudden shifts while on the ladder. DO NOT push, pull, or lean on the handrails or guardrails.
- DO NOT skip steps. Climb the ladder one step at a time.
- DO NOT attempt to move the ladder while someone is using it. The ladder must be unoccupied before it is moved.
- DO NOT use the ladder to transport people or objects. DO NOT ride on the ladder
- DO NOT remove or obscure any label. Each label must be readable, undamaged, and present in the appropriate location. See [Labeling Diagram](#) on p. 22.
- DO NOT modify this ladder! Unauthorized modifications automatically void the [Limited Warranty](#) (p. 23) and might make the ladder unsafe to use.
- Only locking fasteners should be used. During assembly, confirm that there are only locking nuts. Contact [Technical Service](#) (p. 1) if you find non-locking nuts. Lock nuts can only safely be used once. Discard used lock nuts and install new lock nuts after unfastening any connection.

EXPLODED VIEW: 2, 3, 4, & 5 STEP MODELS

LAD-PW-(18/26/32)-2-(P/G); LAD-PW-(18/26/32)-3-(P/G)
LAD-PW-(18/26/32)-5-(P/G); & LAD-PW-(18/26/32)-5-(G/P)
*NOTE: Diagram shows LAD-MM-2-P [44-006-448]

[Bill of Materials](#) on following page.



BILL OF MATERIALS: 2,3,4, & 5 STEP MODELS[Return to Exploded View](#)

Item	Part no.	Description	Qty.	Item	Part no.	Description	Qty.
1	44-647-113	Weldment, step frame LAD-PW-18-2-G	1	1	44-647-119	Weldment, step frame LAD-PW-32-2-G	1
	44-647-111	LAD-PW-18-2-P	1		44-647-115	LAD-PW-32-2-P	1
	44-647-114	LAD-PW-18-3-G	1		44-647-120	LAD-PW-32-3-G	1
	44-647-112	LAD-PW-18-3-P	1		44-647-116	LAD-PW-32-3-P	1
	44-647-206	LAD-PW-18-4-G	1		44-647-121	LAD-PW-32-4-G	1
	44-647-205	LAD-PW-18-4-P	1		44-647-117	LAD-PW-32-4-P	1
	44-647-210	LAD-PW-26-2-G	1		44-647-208	LAD-PW-18-5-G	1
	44-647-209	LAD-PW-26-2-P	1		44-647-207	LAD-PW-18-5-P	1
	44-647-212	LAD-PW-26-3-G	1		44-647-216	LAD-PW-26-5-G	1
	44-647-211	LAD-PW-26-3-P	1		44-647-215	LAD-PW-26-5-P	1
	44-647-214	LAD-PW-26-4-G	1		44-647-122	LAD-PW-32-5-G	1
	44-647-213	LAD-PW-26-4-P	1		44-647-118	LAD-PW-32-5-P	1

Item	Part no.	Description	Qty.
2	44-524-108	Weldment, handrail 2-step models & 3-step models	2
	44-524-109	4-step models	2
	44-524-041	5-step models	2
3	44-514-324	Weldment, frame, back platform 17" wide steps LAD-PW-18-(P/G)	1
	44-514-314	24" wide steps LAD-PW-26-(P/G)	1
	44-514-343	30" wide steps LAD-PW-32-(P/G)	1
4	44-514-324	Weldment, back leg LAD-PW-18-2-G & LAD-PW-18-2-P	1
	44-514-327	LAD-PW-18-3-P & LAD-PW-18-3-P	1
	44-514-328	LAD-PW-18-4-G & LAD-PW-18-4-P	1
	44-514-329	LAD-PW-18-5-G & LAD-PW-18-5-P	1
	44-514-330	LAD-PW-26-2-G & LAD-PW-26-2-P	1
	44-514-331	LAD-PW-26-3-G & LAD-PW-26-3-P	1
	44-514-332	LAD-PW-26-4-G & LAD-PW-26-4-P	1
	44-514-333	LAD-PW-26-5-G & LAD-PW-26-5-P	1
	44-514-334	LAD-PW-32-2-G & LAD-PW-32-2-P	1
	44-514-335	LAD-PW-32-3-G & LAD-PW-32-3-P	1
	44-514-336	LAD-PW-32-4-G & LAD-PW-32-4-P	1
44-514-337	LAD-PW-32-5-G & LAD-PW-32-5-P	1	
5	16-132-163	Caster, PP-3/1.25-STM-TTL	2
6	16-132-319	Caster, PO-2x1-STEM	2
7	44-014-526	Frame, base support 2-step models	2
	44-014-527	3-step models	2
	44-014-493	4-step models	2
8	44-112-012	Pin, caster, stem – spring mount	2
9	44-113-046	Spacer for stem caster	2
10	44-146-006	Spring, spring loaded caster	2
11	99-024-027	Square cap, 1" x 1", 60 duro.	2
12	99-025-025	1" plastic plug (black)	2
13	11055	Hex bolt, gr. A, z-plated, $\frac{5}{16}$ "-18x1"	4
14	11060	Hex bolt, HHCS, $\frac{5}{16}$ "-18UNCx1 $\frac{3}{4}$ "	10
15	11107	Hex bolt, gr. A, z-finish, $\frac{3}{8}$ "-16x1 $\frac{1}{4}$ "	2
16	33006	Flat washer, z-plated, USS, $\frac{5}{16}$ "	4
17	33008	Flat washer, low carbon, USS, $\frac{3}{8}$ "	2
18	33622	Split lock washer, carbon steel, $\frac{3}{8}$ "	2
19	37021	Nylon insert lock nut. Gr. 2, z-finish, $\frac{5}{16}$ "-18	14
20	65127	Cotter pin, z-plated, $\frac{3}{16}$ "x2"	2

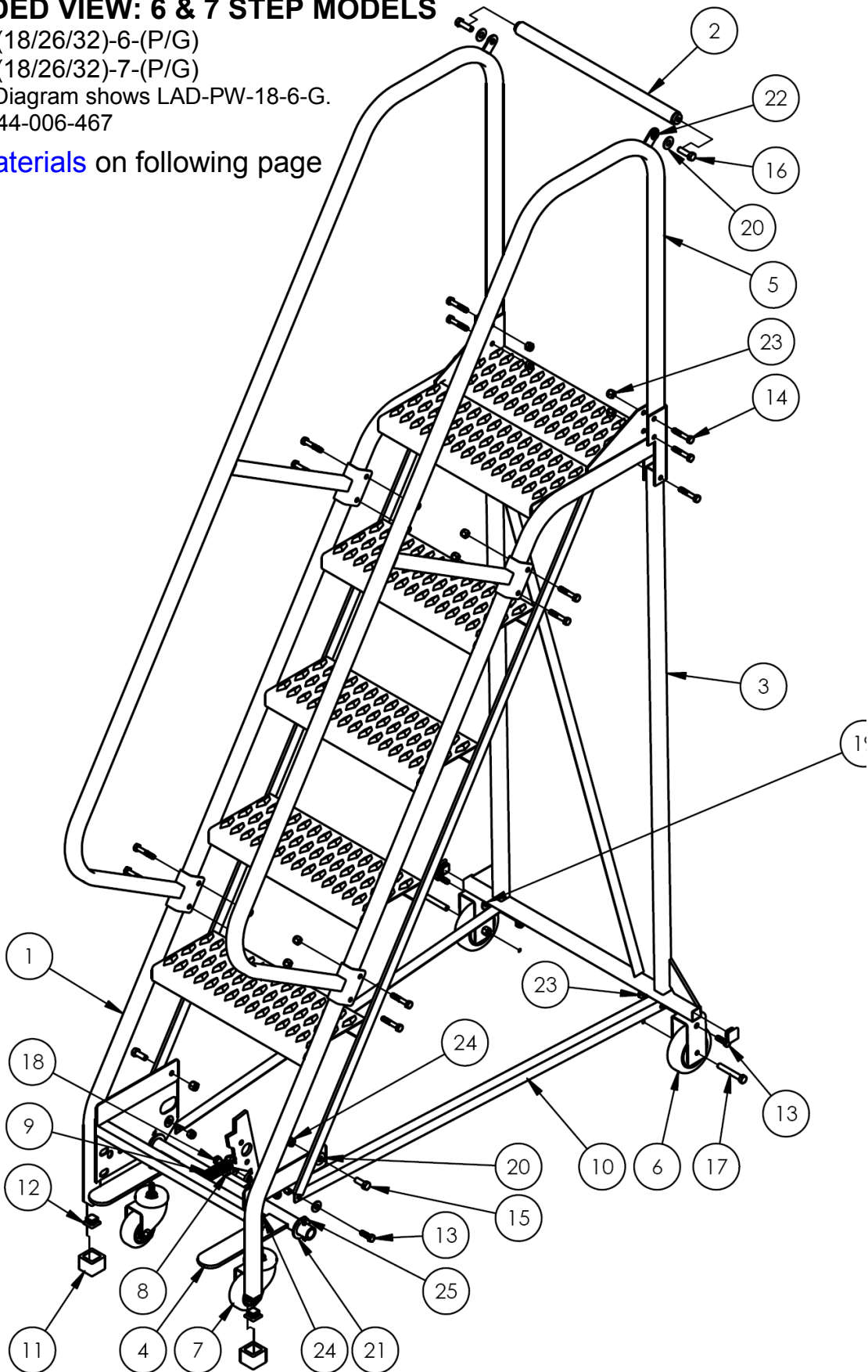
EXPLODED VIEW: 6 & 7 STEP MODELS

LAD-PW-(18/26/32)-6-(P/G)

LAD-PW-(18/26/32)-7-(P/G)

*NOTE: Diagram shows LAD-PW-18-6-G.
44-006-467

Bill of materials on following page



BILL OF MATERIALS: 6 & 7 STEP MODELS [Return to Exploded View](#)

Item	Part no.	Description	Qty.	Item	Part no.	Description	Qty.
1		Weldment, step frame		1		Weldment, step frame	
	44-647-156	LAD-PW-18-6-G	1		44-647-166	LAD-PW-26-7-G	1
	44-647-154	LAD-PW-18-6-P	1		44-647-159	LAD-PW-26-7-P	1
	44-647-157	LAD-PW-18-7-G	1		44-647-179	LAD-PW-32-6-G	1
	44-647-155	LAD-PW-18-7-P	1		44-647-172	LAD-PW-32-6-P	1
	44-647-165	LAD-PW-26-6-G	1		44-647-180	LAD-PW-32-7-G	1
	44-647-158	LAD-PW-26-6-P	1		44-647-173	LAD-PW-32-7-P	1
Item	Part no.	Description		Qty.			
2		Weldment, frame, back platform					
	44-514-324	17" wide steps LAD-PW-18-(P/G)		2			
	44-514-314	24" wide steps LAD-PW-26-(P/G)		2			
	44-514-343	30" wide steps LAD-PW-32-(P/G)		2			
3		Weldment, back leg					
	44-514-344	LAD-PW-18-6-G & LAD-PW-18-6-P		1			
	44-514-345	LAD-PW-18-7-G & LAD-PW-18-7-P		1			
	44-514-303	LAD-PW-26-6-G & LAD-PW-26-6-P		1			
	44-514-304	LAD-PW-26-7-G & LAD-PW-26-7-P		1			
	44-514-346	LAD-PW-32-6-G & LAD-PW-32-6-P		1			
	44-514-347	LAD-PW-32-7-G & LAD-PW-32-7-P		1			
4		Weldment, frame, caster pivot foot lock					
	44-514-353	17" wide steps LAD-PW-18-(P/G)		1			
	44-514-354	24" wide steps LAD-PW-26-(P/G)		1			
	44-514-355	30" wide steps LAD-PW-32-(P/G)		1			
5		Weldment, handrail					
	44-524-042	6-step models		2			
	44-524-043	7-step models		2			
6	16-132-009	Caster, PP-4/1.25-W *Caster		2			
7	16-132-164	Caster, front, PP-3/1.25-STM *		2			
8	20-027-005	Roller guide		2			
9	28-146-003	Spring, release, 5" oval		1			
10		Frame, base support					
	44-014-233	6-step models		2			
	44-014-320	7-step models		2			
11	99-024-027	Square cap, 1" x 1", 60 duro.		2			
12	99-025-025	1" plastic plug (black)		4			
13	11055	Hex bolt, gr. A, z-plated, $\frac{5}{16}$ "-18x1"		4			
14	11060	Hex bolt, HHCS, $\frac{5}{16}$ "-18UNCx1 $\frac{3}{4}$ "		14			
15	11105	Hex bolt, gr. A, z-plated, $\frac{3}{8}$ "-16x1"		2			
16	11107	Hex bolt, gr. A, z-finish, $\frac{3}{8}$ "-16x1 $\frac{1}{4}$ "		2			
17	11113	Hex bolt, gr. A, plain finish, $\frac{3}{8}$ "-16x2 $\frac{1}{2}$ "		2			
18	26329	Shoulder bolt, $\frac{3}{8}$ " shoulder x $\frac{3}{4}$ "x $\frac{5}{16}$ "-18		1			
19	33006	Flat washer, z-plated, USS, $\frac{5}{16}$ "		4			
20	33008	Flat washer, low carbon, USS, $\frac{3}{8}$ "		6			
21	33456	Machinery bushing, plain finish, 1 $\frac{1}{8}$ "x10ga.		2			
22	33622	Split lock washer, carbon steel, $\frac{3}{8}$ "		2			
23	37021	Nylon insert lock nut. Gr. 2, z-finish, $\frac{5}{16}$ "-18		19			
24	37024	Nylon insert lock nut, gr. 2, z-finish, $\frac{3}{8}$ "-16		6			
25	65127	Cotter pin, z-plated, $\frac{3}{16}$ "x2"		2			

EXPLODED VIEW: 8, 9 & 10 STEP MODELS

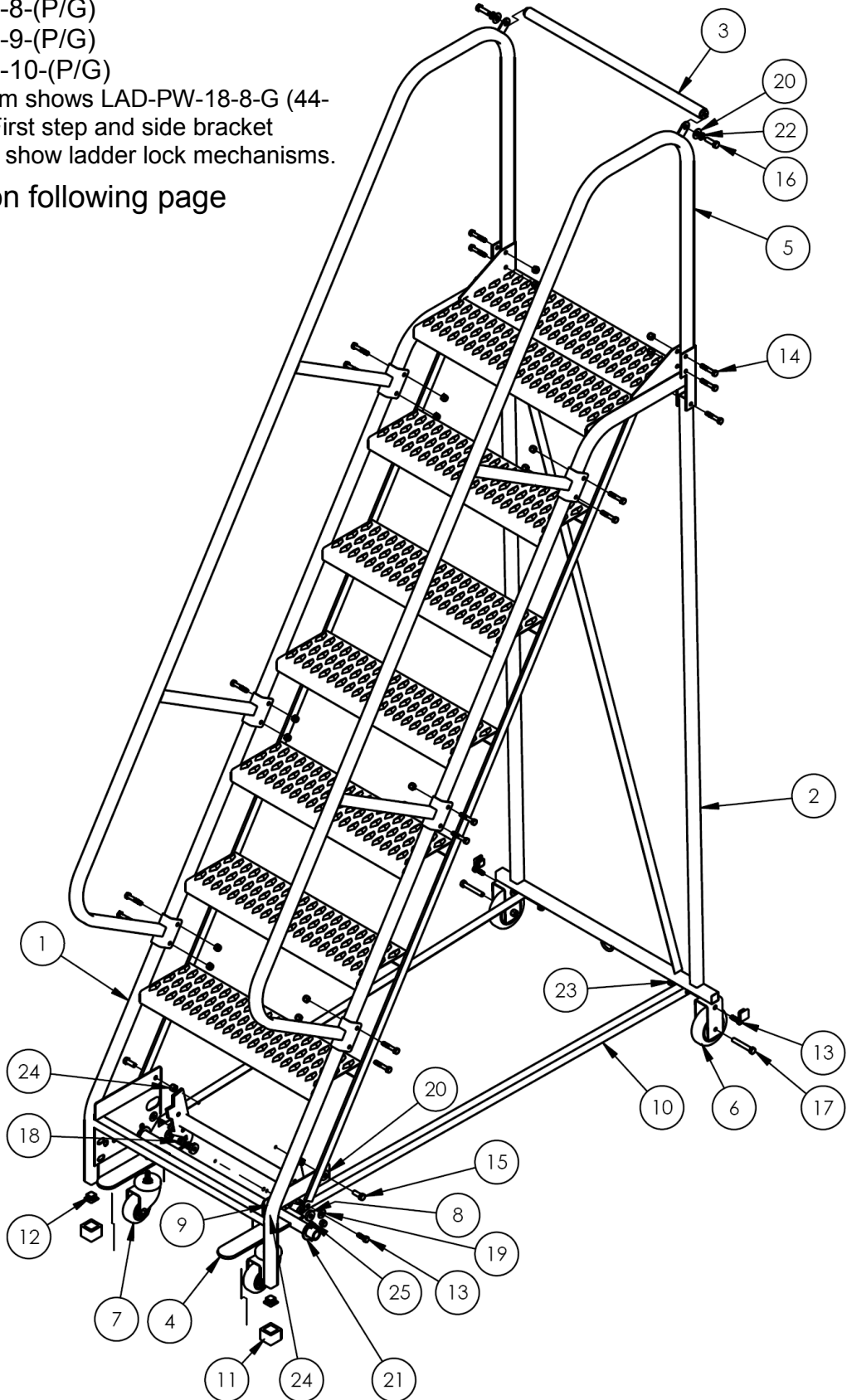
LAD-PW-(18/26/32)-8-(P/G)

LAD-PW-(18/26/32)-9-(P/G)

LAD-PW-(18/26/32)-10-(P/G)

*NOTES: Diagram shows LAD-PW-18-8-G (44-006-478). First step and side bracket removed to show ladder lock mechanisms.

[Bill of materials](#) on following page



BILL OF MATERIALS: 8, 9 & 10 STEP MODELS [Return to Exploded View](#)

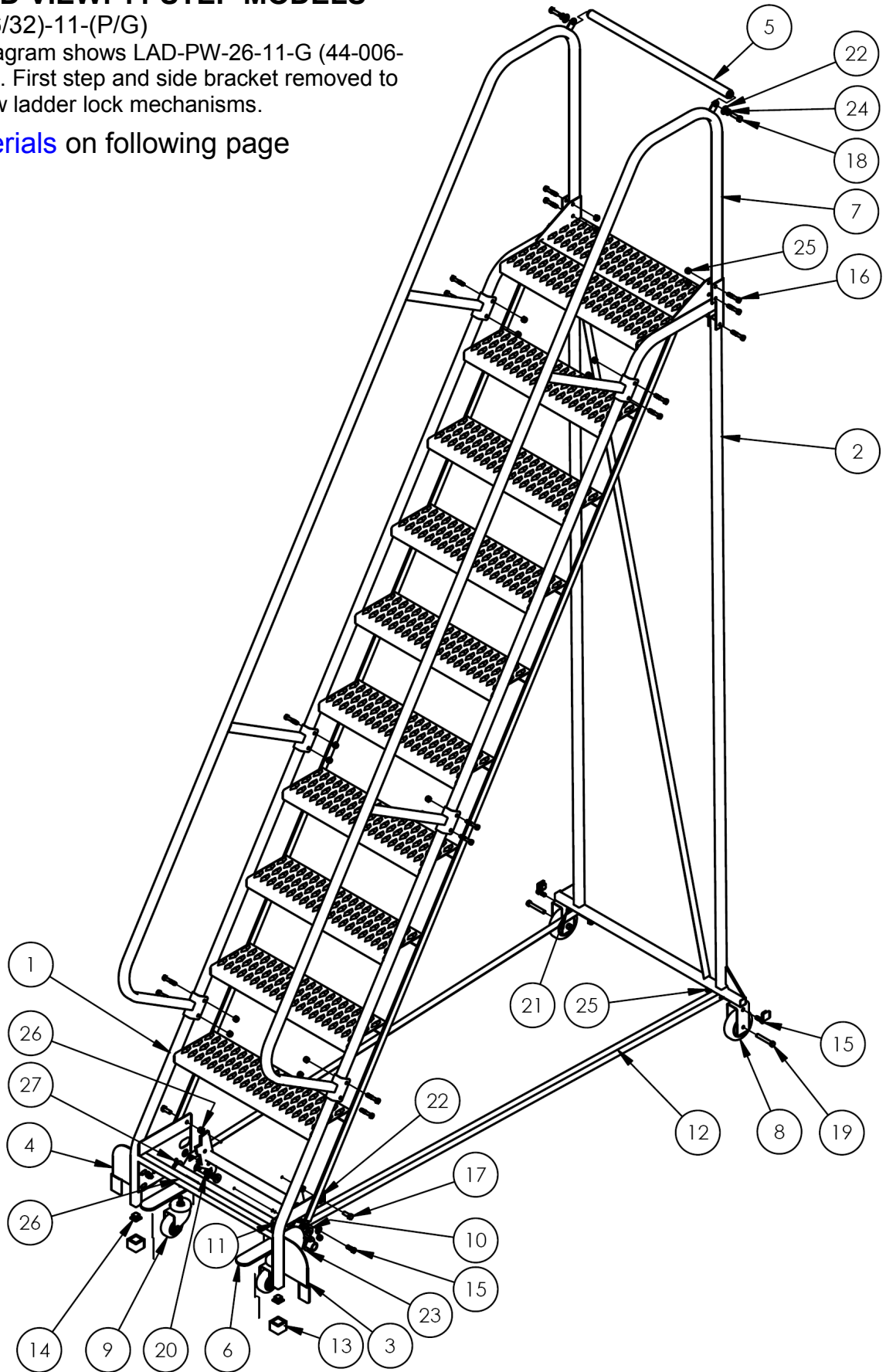
Item	Part no.	Description	Qty.	Item	Part no.	Description	Qty.
1		Weldment, step frame		1		Weldment, step frame	
	44-647-167	LAD-PW-26-8-G	1		44-647-181	LAD-PW-32-8-G	1
	44-647-160	LAD-PW-26-8-P	1		44-647-174	LAD-PW-32-8-P	1
	44-647-168	LAD-PW-26-9-G	1		44-647-182	LAD-PW-32-9-G	1
	44-647-161	LAD-PW-26-9-P	1		44-647-175	LAD-PW-32-9-P	1
	44-647-169	LAD-PW-26-10-G	1		44-647-183	LAD-PW-32-10-G	1
	44-647-162	LAD-PW-26-10-P	1		44-647-176	LAD-PW-32-10-P	1
Item	Part no.	Description		Qty.			
2		Weldment, back leg					
	44-514-305	LAD-PW-26-8-G & LAD-PW-26-8-P		1			
	44-514-306	LAD-PW-26-9-G & LAD-PW-26-9-P		1			
	44-514-307	LAD-PW-26-10-G & LAD-PW-26-10-P		1			
	44-514-348	LAD-PW-26-8-G & LAD-PW-26-8-P		1			
	44-514-349	LAD-PW-32-9-G & LAD-PW-32-9-P		1			
44-514-350	LAD-PW-32-10-G & LAD-PW-32-10-P		1				
3		Weldment, frame, back platform					
	44-514-314	24" wide steps LAD-PW-26-(P/G)		1			
	44-514-343	30" wide steps LAD-PW-32-(P/G)		1			
4		Weldment, frame, caster pivot foot lock					
	44-514-354	24" wide steps LAD-PW-26-(P/G)		1			
	44-514-355	30" wide steps LAD-PW-32-(P/G)		1			
5		Weldment, handrail					
	44-524-044	8-step models		2			
	44-524-045	9-step models		2			
	44-524-046	10-step models		2			
6	16-132-009	Caster, PP-4/1.25-W		2			
7	16-132-164	Caster, front, PP-3/1.25-STM		2			
8	20-027-005	Roller guide		4			
9	28-146-003	Spring, release, 5" oval		1			
10		Frame, base support					
	44-014-238	8-step models		2			
	44-014-243	9-step models		2			
	44-014-400	10-step models		2			
11	99-024-027	Square cap, 1" x 1", 60 duro.		2			
12	99-025-025	1" plastic plug (black)		4			
13	11055	Hex bolt, gr. A, z-plated, $\frac{5}{16}$ "-18x1"		4			
14	11060	Hex bolt, HHCS, $\frac{5}{16}$ "-18UNCx1 $\frac{3}{4}$ "		18			
15	11105	Hex bolt, gr. A, z-plated, $\frac{3}{8}$ "-16x1"		2			
16	11107	Hex bolt, gr. A, z-finish, $\frac{3}{8}$ "-16x1 $\frac{1}{4}$ "		2			
17	11113	Hex bolt, gr. A, plain finish, $\frac{3}{8}$ "-16x2 $\frac{1}{2}$ "		2			
18	26329	Shoulder bolt, $\frac{3}{8}$ " shoulder x $\frac{3}{4}$ "x $\frac{5}{16}$ "-18		2			
19	33006	Flat washer, z-plated, USS, $\frac{5}{16}$ "		4			
20	33008	Flat washer, low carbon, USS, $\frac{3}{8}$ "		6			
21	33456	Machinery bushing, plain finish, 1 $\frac{1}{8}$ "x10ga.		2			
22	33622	Split lock washer, carbon steel, $\frac{3}{8}$ "		2			
23	37021	Nylon insert lock nut. Gr. 2, z-finish, $\frac{5}{16}$ "-18		24			
24	37024	Nylon insert lock nut, gr. 2, z-finish, $\frac{3}{8}$ "-16		6			
25	65127	Cotter pin, z-plated, $\frac{3}{16}$ "x2"		2			

EXPLODED VIEW: 11 STEP MODELS

LAD-PW-(26/32)-11-(P/G)

*NOTES: Diagram shows LAD-PW-26-11-G (44-006-481). First step and side bracket removed to show ladder lock mechanisms.

[Bill of materials](#) on following page



BILL OF MATERIALS: 11 STEP MODELS

[Return to Exploded View](#)

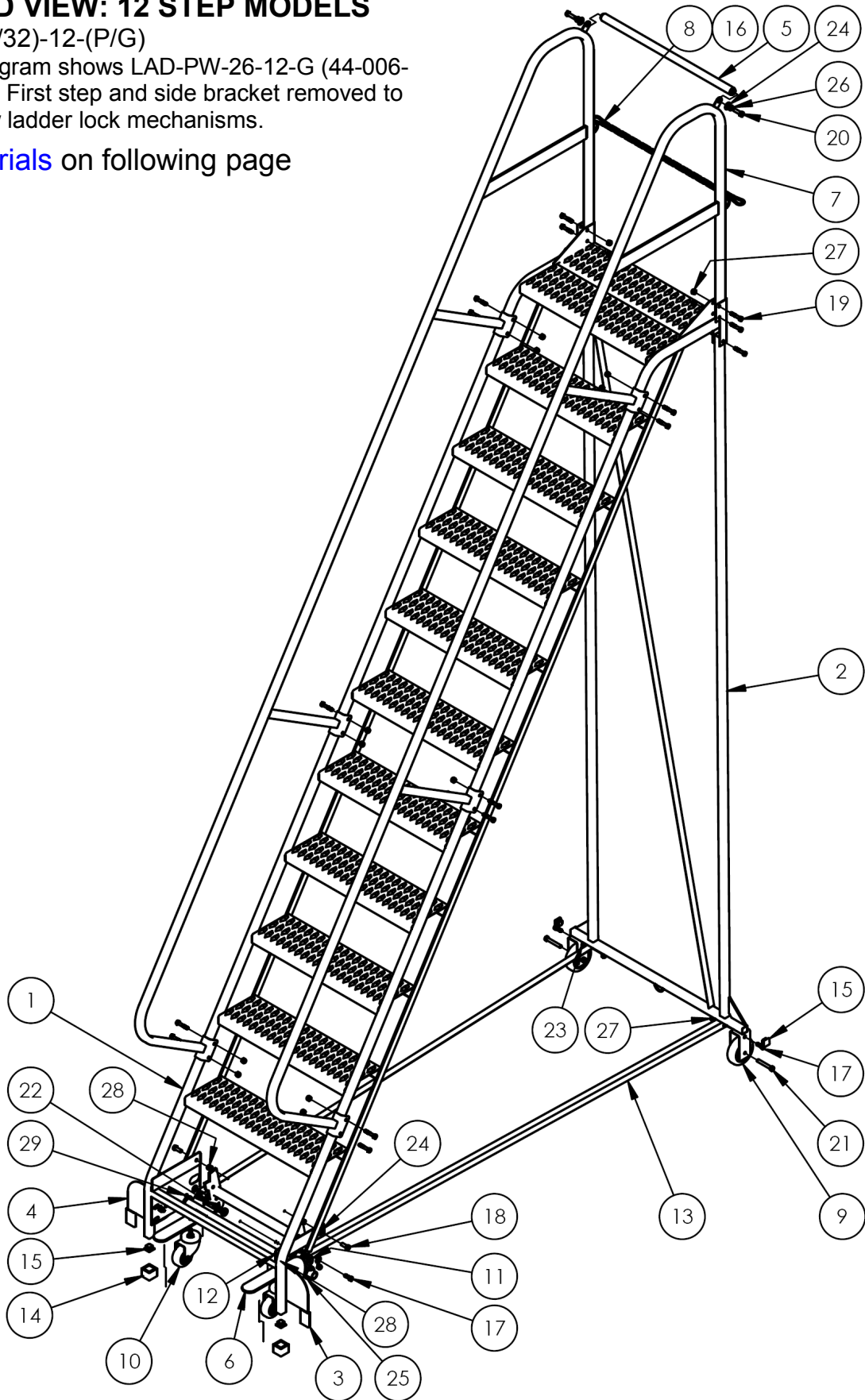
Item	Part no.	Description	Quantity
1	44-647-170	Weldment, 11-step frame	1
	44-647-163	LAD-PW-26-11-G	1
	44-647-184	LAD-PW-26-11-P	1
	44-647-177	LAD-PW-32-11-G	1
2	44-514-308	LAD-PW-32-11-P	1
	44-514-351	LAD-PW-26-11-G & LAD-PW-26-11-P	1
*3	44-514-310	Weldment, outrigger, right	1
*4	44-514-311	Weldment, outrigger, left	1
5	44-514-314	Weldment, frame, back platform	1
	44-514-343	24" wide steps LAD-PW-26-11-(P/G) 30" wide steps LAD-PW-32-11-(P/G)	1
6	44-514-354	Weldment, frame, caster pivot foot lock	1
	44-514-355	24" wide steps (LAD-PW-26-11-(P/G)) 30" wide steps (LAD-PW-32-11-(P/G))	1
7	44-524-047	Weldment, handrail	2
8	16-132-009	Caster, PP-4/1.25-W	2
9	16-132-164	Caster, front, PP-3/1.25-STM	2
10	20-027-005	Roller guide	4
11	28-146-003	Spring, release, 5" oval	1
12	44-014-401	Frame, base support	2
13	99-024-027	Square cap, 1" x 1", 60 duro.	2
14	99-025-025	1" plastic plug (black)	4
15	11055	Hex bolt, gr. A, z-plated, $\frac{5}{16}$ "-18x1"	6
		LAD-PW-26-11-G & LAD-PW-26-11-P LAD-PW-32-11-G & LAD-PW-32-11-P	4
16	11060	Hex bolt, HHCS, $\frac{5}{16}$ "-18UNCx1 $\frac{3}{4}$ "	18
17	11105	Hex bolt, gr. A, z-plated, $\frac{3}{8}$ "-16x1"	2
18	11107	Hex bolt, gr. A, z-finish, $\frac{3}{8}$ "-16x1 $\frac{1}{4}$ "	2
19	11113	Hex bolt, gr. A, plain finish, $\frac{3}{8}$ "-16x2 $\frac{1}{2}$ "	2
20	26329	Shoulder bolt, $\frac{3}{8}$ " shoulder x $\frac{3}{4}$ "x $\frac{5}{16}$ "-18	2
21	33006	Flat washer, z-plated, USS, $\frac{5}{16}$ "	6
		LAD-PW-26-11-G & LAD-PW-26-11-P LAD-PW-32-11-G & LAD-PW-32-11-P	4
22	33008	Flat washer, low carbon, USS, $\frac{3}{8}$ "	6
23	33456	Machinery bushing, plain finish, 1 $\frac{1}{8}$ "x10ga.	2
24	33622	Split lock washer, carbon steel, $\frac{3}{8}$ "	2
25	37021	Nylon insert lock nut. Gr. 2, z-finish, $\frac{5}{16}$ "-18	26
		LAD-PW-26-11-G & LAD-PW-26-11-P LAD-PW-32-11-G & LAD-PW-32-11-P	24
26	37024	Nylon insert lock nut, gr. 2, z-finish, $\frac{3}{8}$ "-16	6
27	65127	Cotter pin, z-plated, $\frac{3}{16}$ "x2"	2

EXPLODED VIEW: 12 STEP MODELS

LAD-PW-(26/32)-12-(P/G)

*NOTES: Diagram shows LAD-PW-26-12-G (44-006-482). First step and side bracket removed to show ladder lock mechanisms.

[Bill of materials](#) on following page



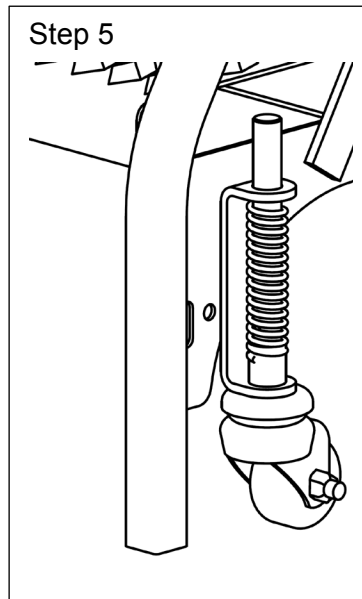
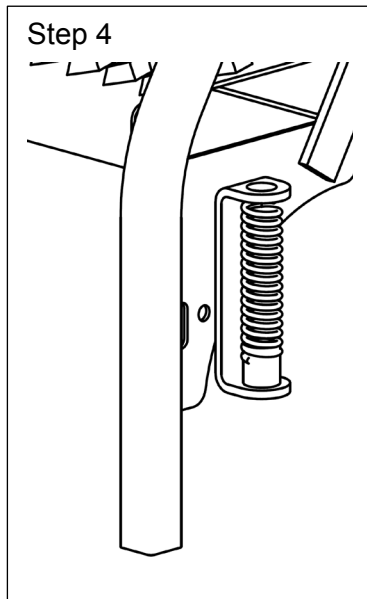
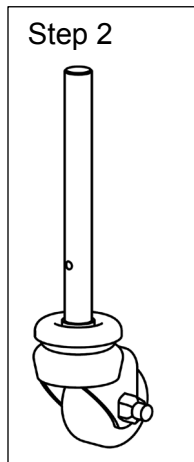
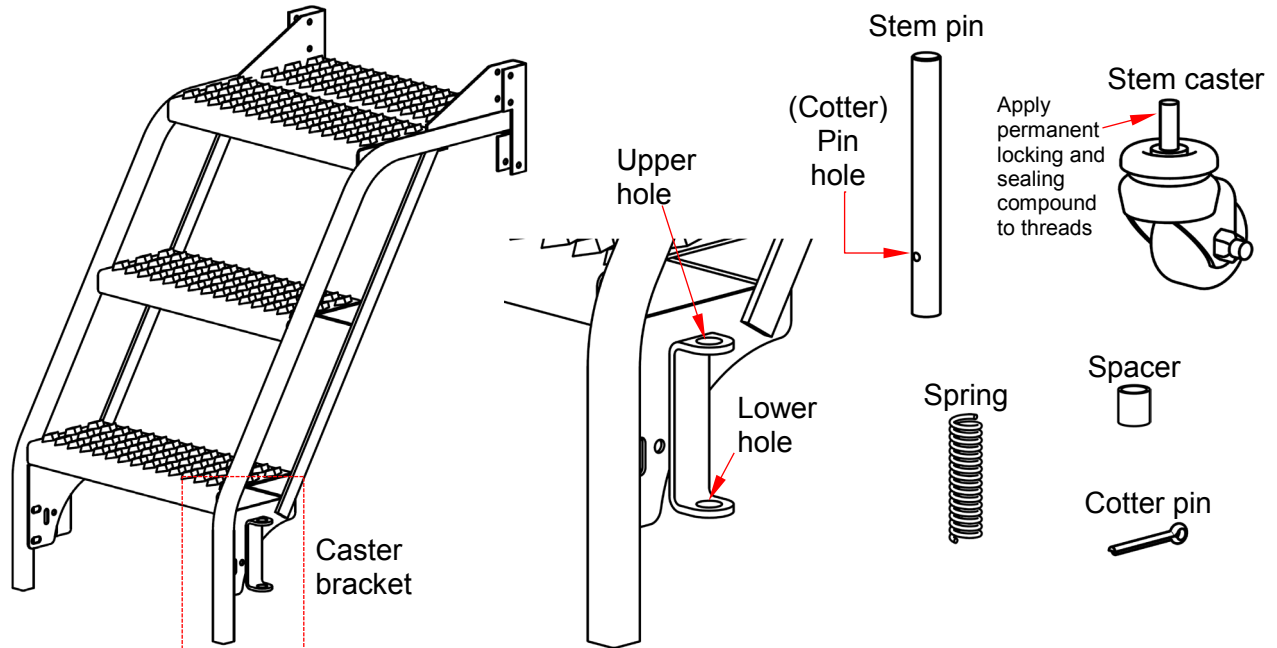
BILL OF MATERIALS: 12 STEP MODELS [Return to Exploded View](#)

Item	Part no.	Description	Quantity
1	44-647-171	Weldment, 11-step frame LAD-PW-26-12-G	1
	44-647-164	LAD-PW-26-12-P	1
	44-647-185	LAD-PW-32-12-G	1
	44-647-178	LAD-PW-32-12-P	1
2	44-514-309	Weldment, back leg LAD-PW-26-12-G & LAD-PW-26-12-P	1
	44-514-352	LAD-PW-32-12-G & LAD-PW-32-12-P	1
*3	44-514-310	Weldment, outrigger, right	1
*4	44-514-311	Weldment, outrigger, left	1
5	44-514-314	Weldment, frame, back platform 24" wide steps LAD-PW-26-11-(P/G)	1
	44-514-343	30" wide steps LAD-PW-32-11-(P/G)	1
6	44-514-354	Weldment, frame, caster pivot foot lock 24" wide steps (LAD-PW-26-12-(P/G)	1
	44-514-355	30" wide steps (LAD-PW-32-12-(P/G)	1
7	44-524-048	Weldment, handrail	2
8	08-145-008	Snap hook, 1/4"	2
9	16-132-009	Caster, PP-4/1.25-W	2
10	16-132-164	Caster, front, PP-3/1.25-STM	2
11	20-027-005	Roller guide	4
12	28-146-003	Spring, release, 5" oval	1
13	44-014-402	Frame, base support	2
14	99-024-027	Square cap, 1" x 1", 60 duro.	2
15	99-025-025	1" plastic plug (black)	4
16	99-145-031	3/16" chain 24" long: LAD-PW-26-12-G & LAD-PW-26-12-P	1
	99-145-025	36" long: LAD-PW-32-12-G & LAD-PW-32-12-P	1
17	11055	Hex bolt, gr. A, z-plated, 5/16"-18x1"	6
		LAD-PW-26-12-G & LAD-PW-26-12-P LAD-PW-32-12-G & LAD-PW-32-12-P	4
18	11105	Hex bolt, gr. A, z-plated, 3/8"-16x1"	2
19	11060	Hex bolt, HHCS, 5/16"-18UNCx1 3/4"	18
20	11107	Hex bolt, gr. A, z-finish, 3/8"-16x1 1/4"	2
21	11113	Hex bolt, gr. A, plain finish, 3/8"-16x2 1/2"	2
	26329	Shoulder bolt, 3/8" shoulder x 3/4"x5/16"-18	2
22	33006	Flat washer, z-plated, USS, 5/16"	6
		LAD-PW-26-12-G & LAD-PW-26-12-P LAD-PW-32-12-G & LAD-PW-32-12-P	4
24	33008	Flat washer, low carbon, USS, 3/8"	6
25	33456	Machinery bushing, plain finish, 1 1/8"x10ga.	2
26	33622	Split lock washer, carbon steel, 3/8"	2
27	37021	Nylon insert lock nut. Gr. 2, z-finish, 5/16"-18	26
		LAD-PW-26-12-G & LAD-PW-26-12-P LAD-PW-32-12-G & LAD-PW-32-12-P	24
28	37024	Nylon insert lock nut, gr. 2, z-finish, 3/8"-16	6
29	65127	Cotter pin, z-plated, 3/16"x2"	2

*Outriggers are only used on models LAD-PW-26-12-G & LAD-PW-26-12-P.

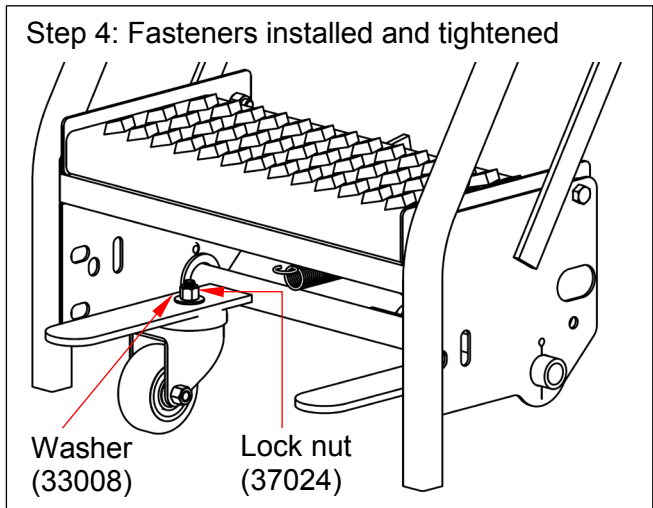
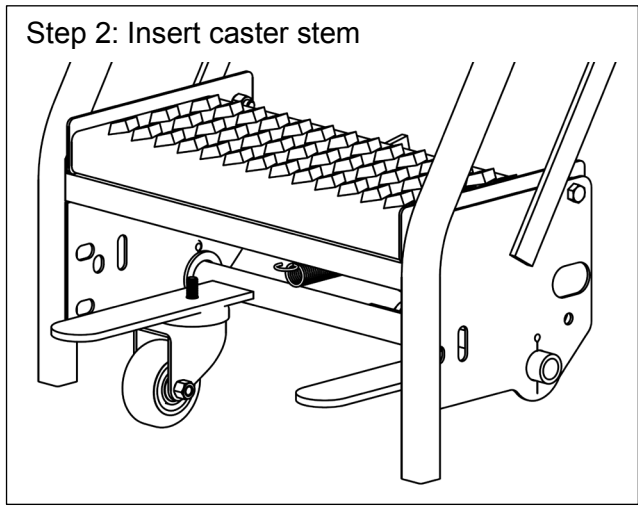
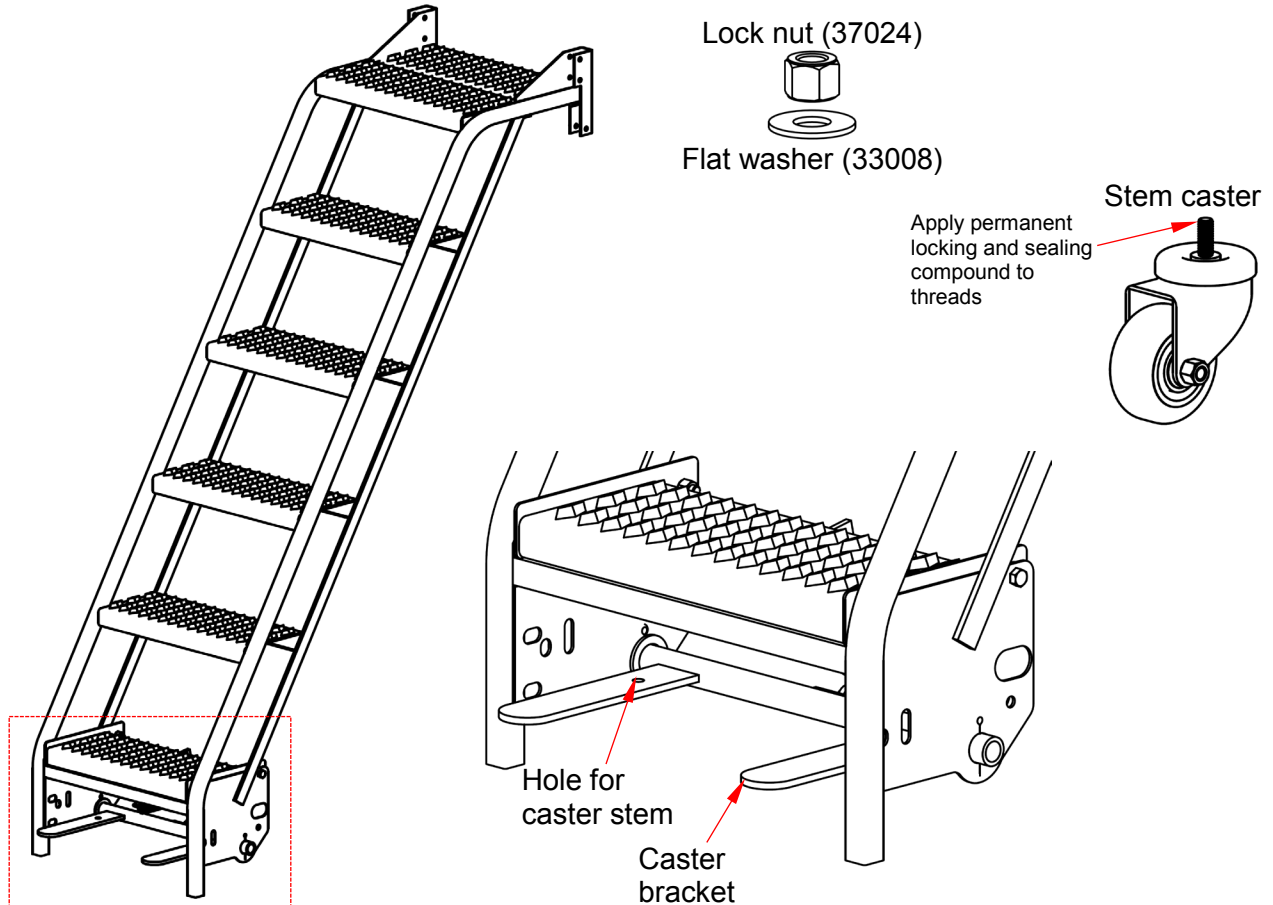
INSTALLING FRONT CASTERS: 2-5 STEP MODELS

1. Apply a permanent thread bonding and sealing compound like Loctite® Threadlocker Red 271™ to the threads of the stem casters (16-132-319). Follow the directions provided with the thread compound.
2. Wind the (threaded) stems into the bottom ends of the stem pins (44-112-012).
3. Set a spacer (44-113-046) over the lower hole of a caster bracket.
4. Set a spring (44-146-006) on top of the spacer.
5. Slide the top end of a stem pin up through the lower hole of the caster bracket, the spacer, the spring, and the upper bracket hole.
6. Push the spacer up against the spring to compress the spring until the pin hole in the stem pin is visible. Push the caster up so that the pin hole is *above* the lower bracket hole. Insert a cotter pin through the pin hole; then bend the arms of the cotter pin around the stem pin in opposite



INSTALLING FRONT CASTERS: 6-12 STEP MODELS

1. Apply a permanent thread bonding and sealing compound like Loctite® Threadlocker Red 271™ to the threads of one of the stem casters (16-132-164). Follow the directions provided with the thread compound.
2. Insert the (threaded) stem of a caster through the hole in a caster bracket.
3. Put a $\frac{3}{8}$ " flat washer (33008) over the stem.
4. Tighten a $\frac{3}{8}$ "-16 lock nut (37024) on the stem.
5. Repeat steps 1-4 with the remaining caster. Install the caster in the other caster bracket.



ASSEMBLING THE LADDER (AT LEAST 2 PEOPLE ARE NEEDED)

⚠️WARNING

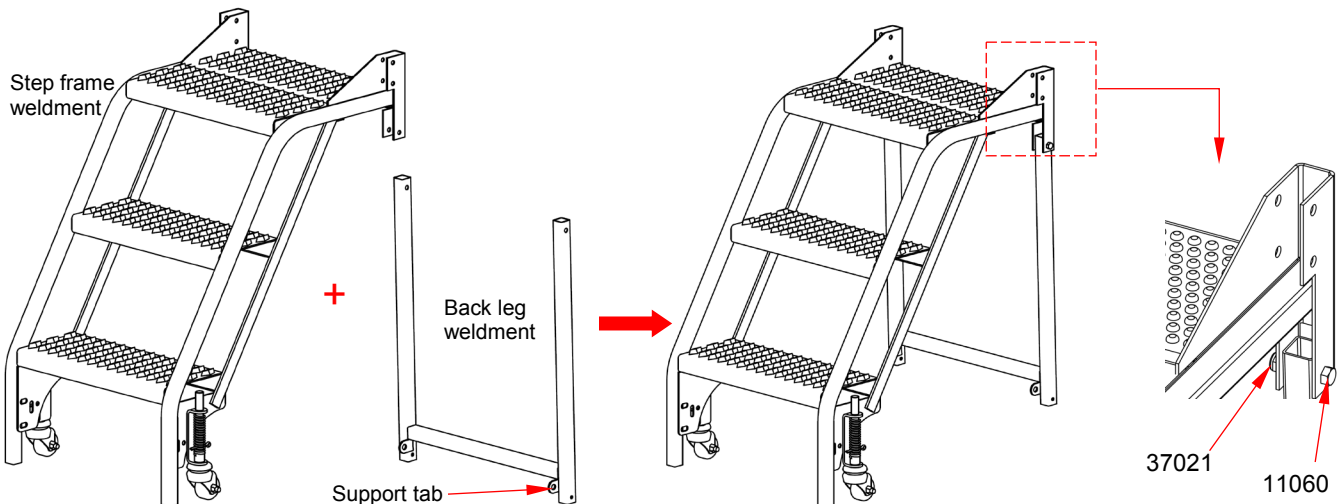
Improper assembly might make this ladder unsafe to use.

- Visually inspect all ladder components immediately after delivery and *before* assembling the ladder. Look for damage that might have occurred during shipping. **DO NOT** assemble or use the ladder stand if you notice any damage to one or more of the steps or to other structural element (step weldment, back leg weldment, base supports, and handrails) of the ladder. Using the ladder stand despite weakness of a frame member could result in serious personal injuries.
- **DO NOT** assemble the ladder by yourself. Work with at least 1 other person to assemble the ladder.
- Read the entire instruction manual before assembling this ladder.

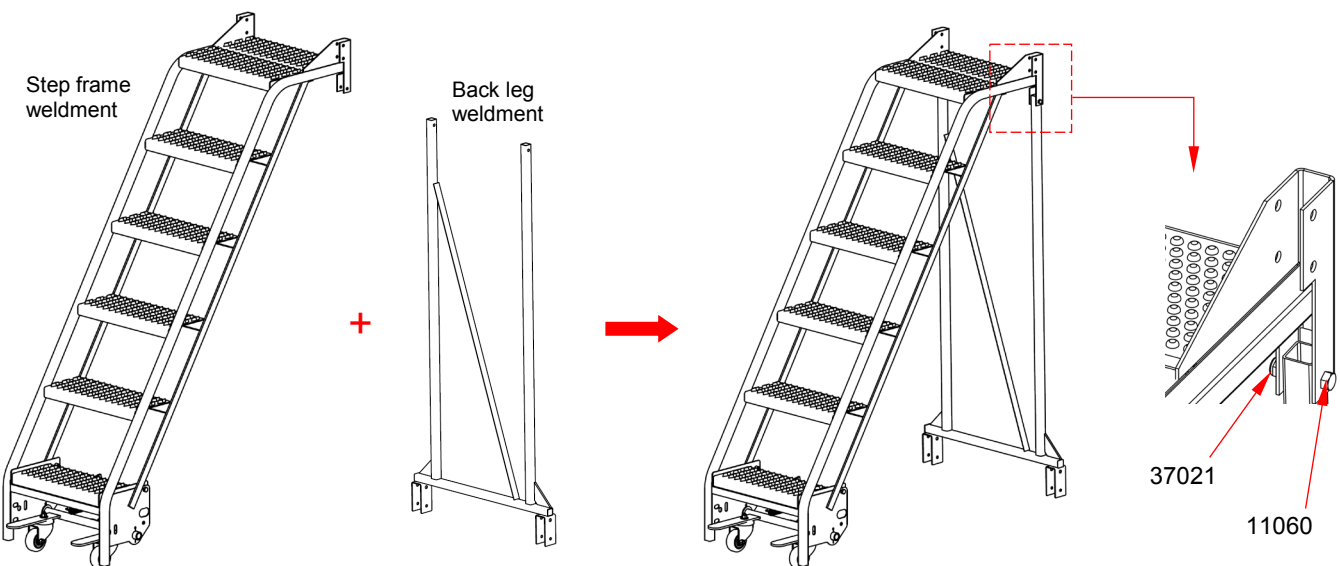
The following tools are necessary to assemble the ladder: a) 2 crescent wrenches ($\frac{5}{16}$ " and $\frac{3}{8}$ "); b) Rubber mallet.

Numbers in the diagrams and in parentheses () correspond to part numbers in the *Bills of Materials* on pages 5, 7, 9, 11, & 13. Refer to the appropriate exploded view and bill of materials for your ladder while assembling it. NOTE: Step 1 depicts the step frame weldment with casters installed. If your ladder is delivered without these casters installed, go to [page 14](#) or [15](#) and follow the caster installation instructions before assembling the ladder.

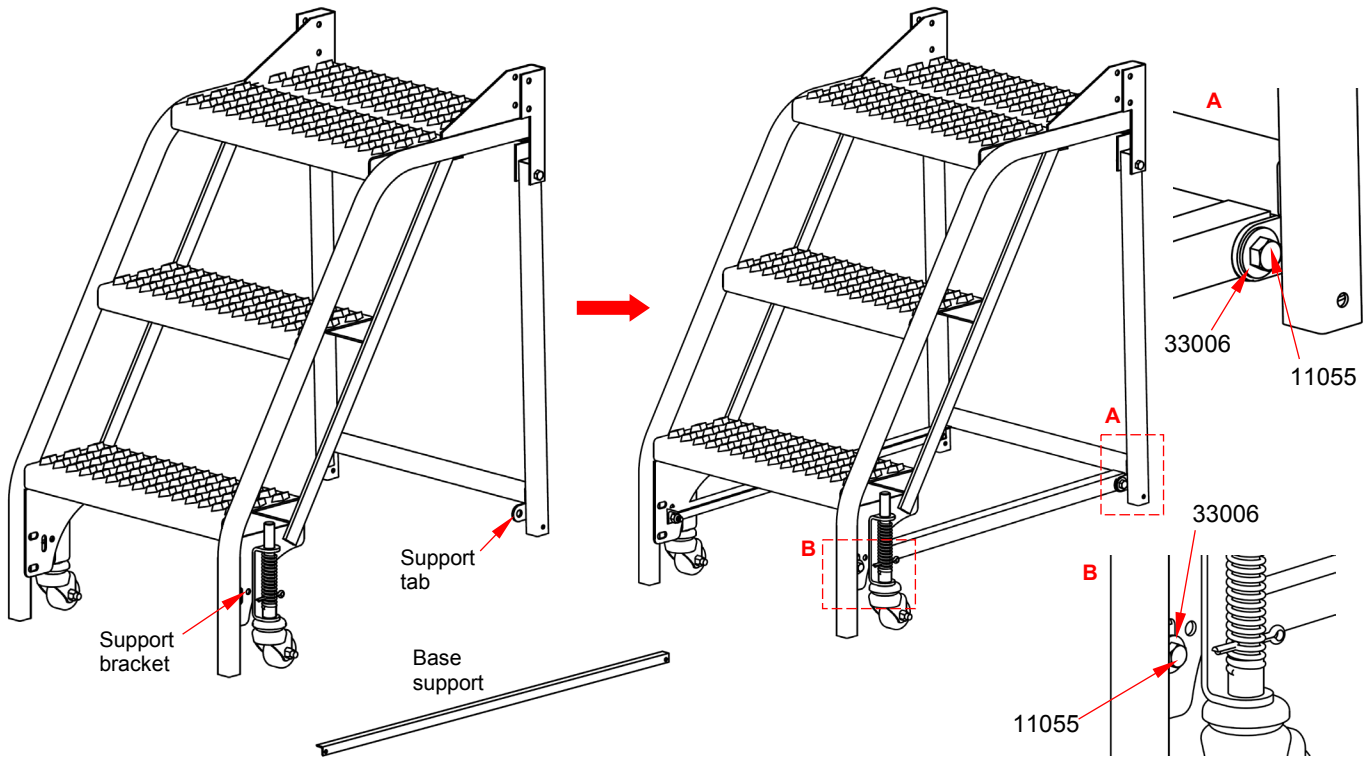
[2-5 step models] Step 1: Fasten the back leg weldment to the step frame weldment with $\frac{5}{16}$ in. hardware. Be sure to orient the back leg weldment as shown in the below diagrams.



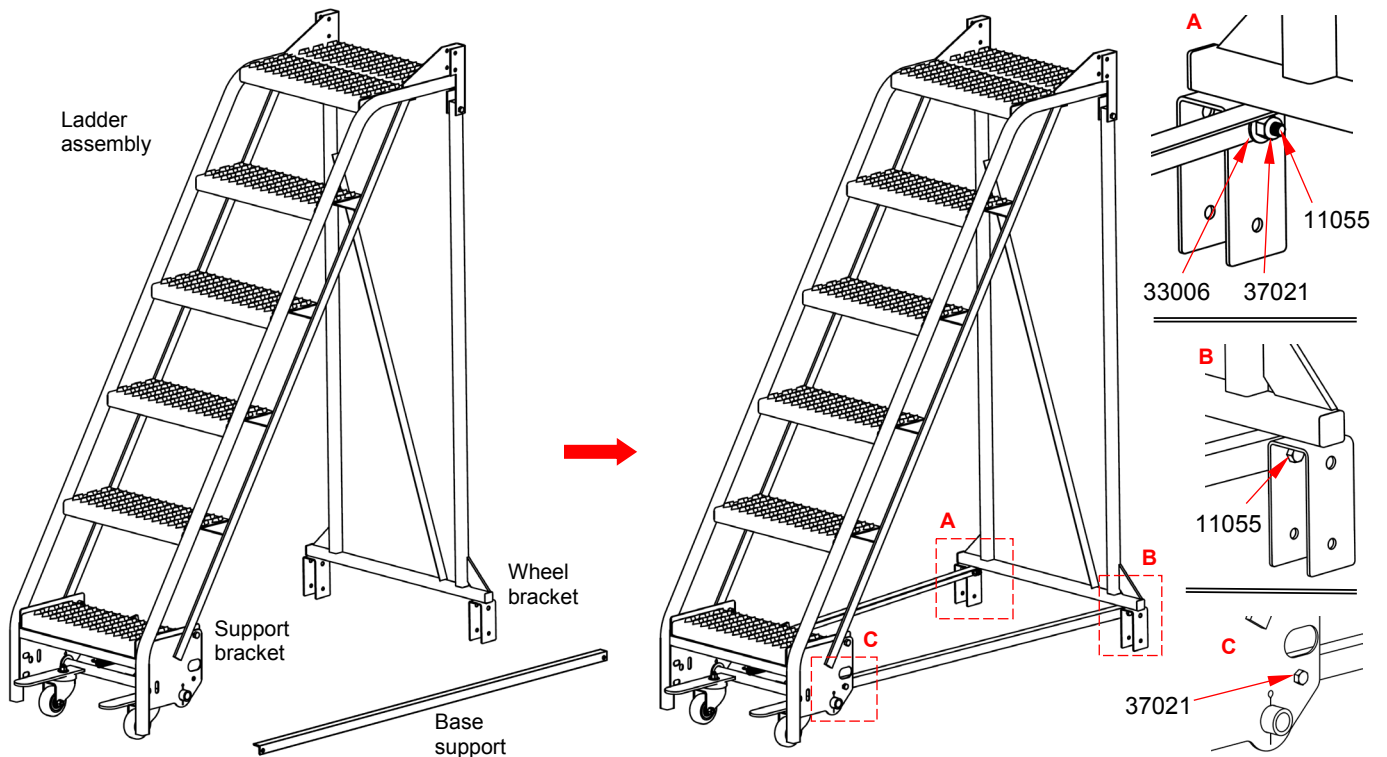
[6-12 step models] Step 1: Fasten the back leg weldment to the step frame weldment with $\frac{5}{16}$ in. hardware. Be sure to orient the back leg weldment as shown in the below diagrams.



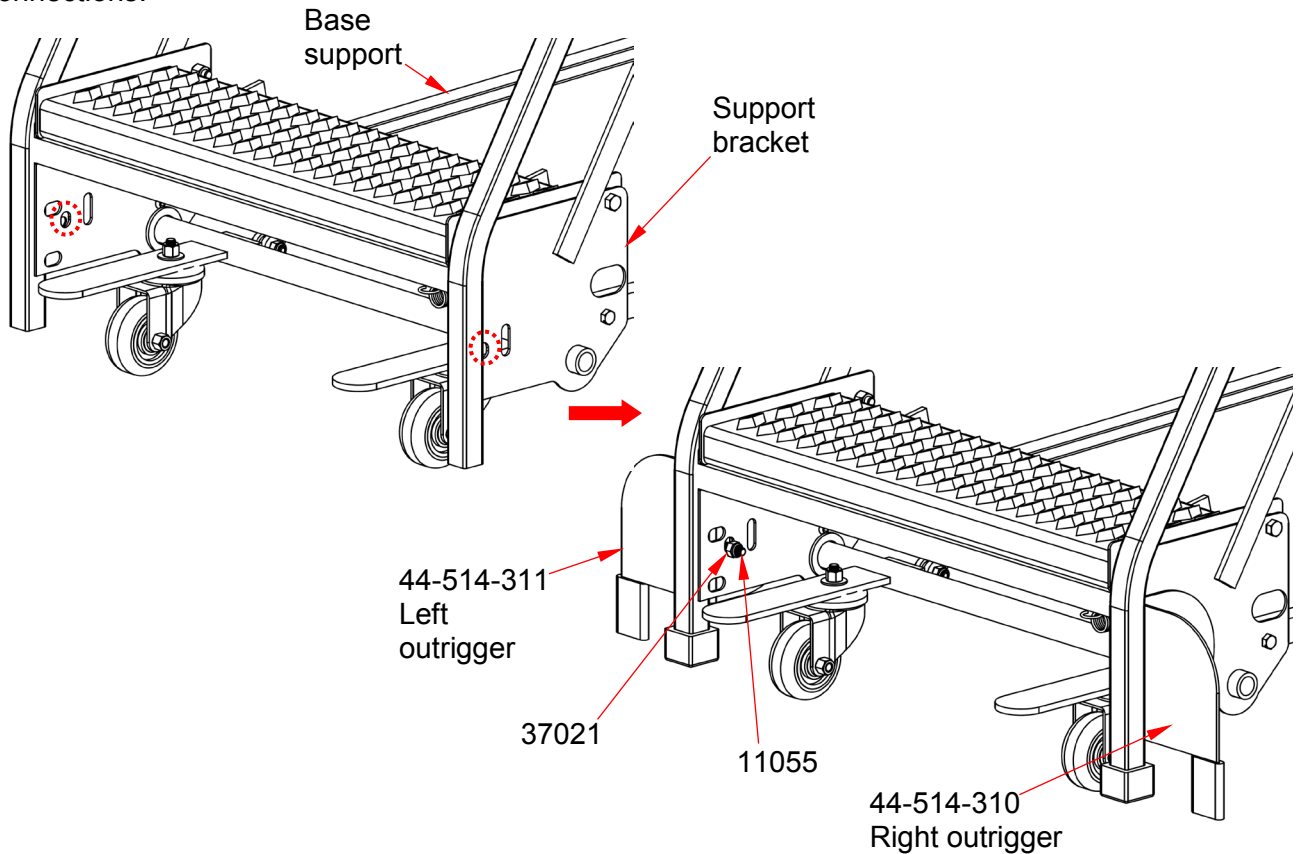
[2-5 step models] Step 2: Fasten the base supports to the support brackets and support tabs with $\frac{5}{16}$ in. – 18 hardware as shown below. Put a flat washer (33006) on each bolt; then feed the bolt through the bolt hole. Secure each bolt (11055) with a lock nut (37021).



[6-12 step models] Step 2: Fasten the base supports to the support brackets and wheel brackets with $\frac{5}{16}$ in. – 18 hardware as shown below. Fasten each bolt (11055) with a flat washer (33006) and lock nut (37021).

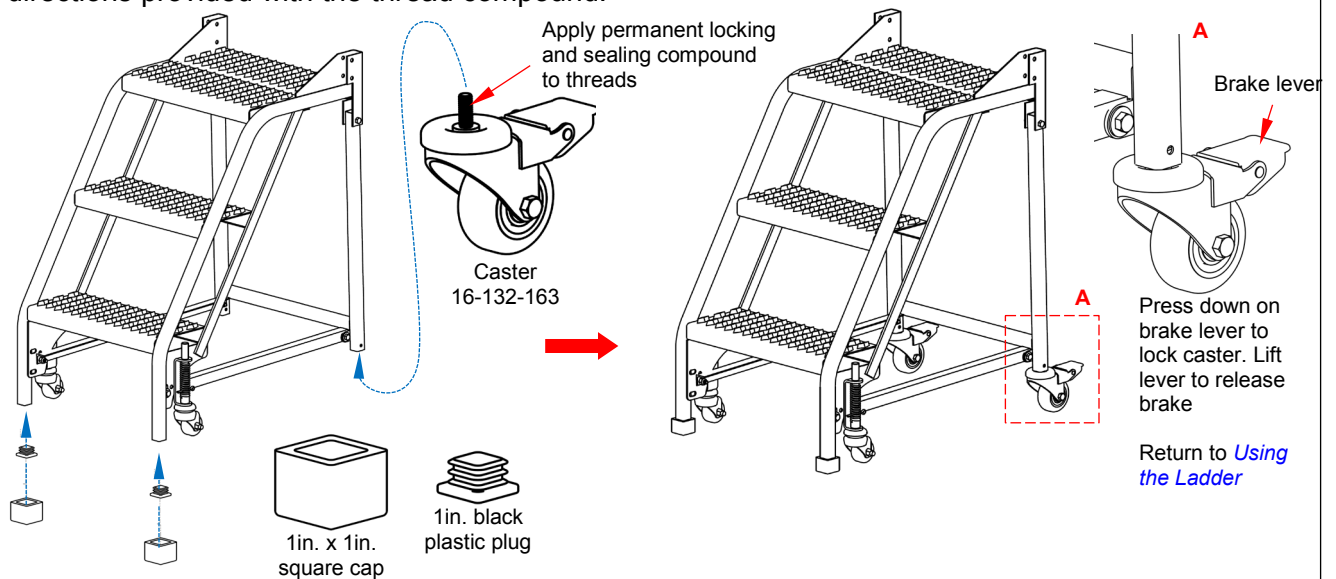


[LAD-PW-26-11-G, LAD-PW-26-11-P, LAD-PW-26-12-G, & LAD_PW-26-12-P] Step 3: Install the outriggers. Align the bolt hole in each outrigger with the bolt hole in the support bracket (circled). Put 1 flat washer (33006) on a bolt (11055). Insert the bolt (11055) through the outrigger, the support bracket, and base support. Secure the bolt with a lock nut (37021). Repeat this process with the other outrigger. Tighten the connections.



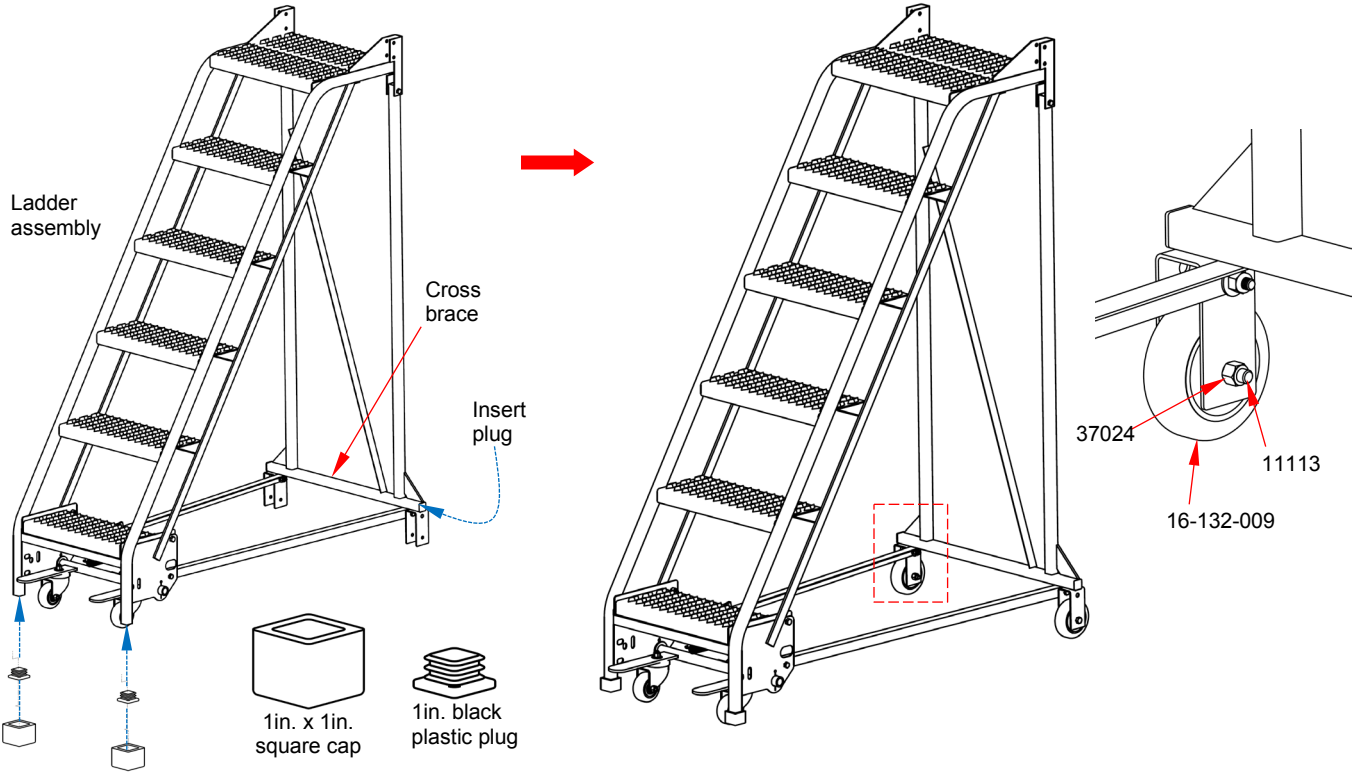
[2-5 step models] Step 4: Install the plugs, caps, and wheels.

- a) Install the plastic plugs and square caps in the leg tubes. First, press the 1in. plastic plug into the leg tubes. Then, press the square caps over the plugs and onto the legs. If necessary, use a rubber mallet to gently tap the plugs and caps into place.
- b) Apply a permanent thread bonding and sealing compound like Loctite® Threadlocker Red 271™ to the threads of the locking stem casters (16-132-163). Wind the stems into the rear legs. Follow the directions provided with the thread compound.

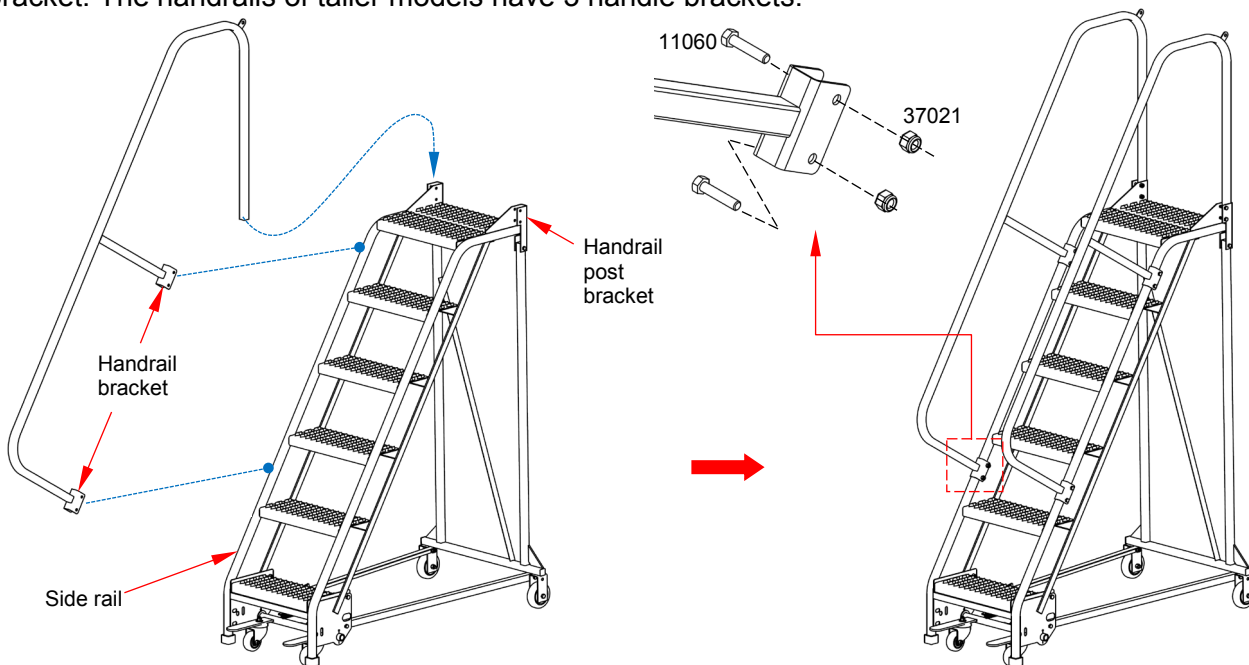


[6-12 step models] Step 4: Install the plugs, caps, and wheels.

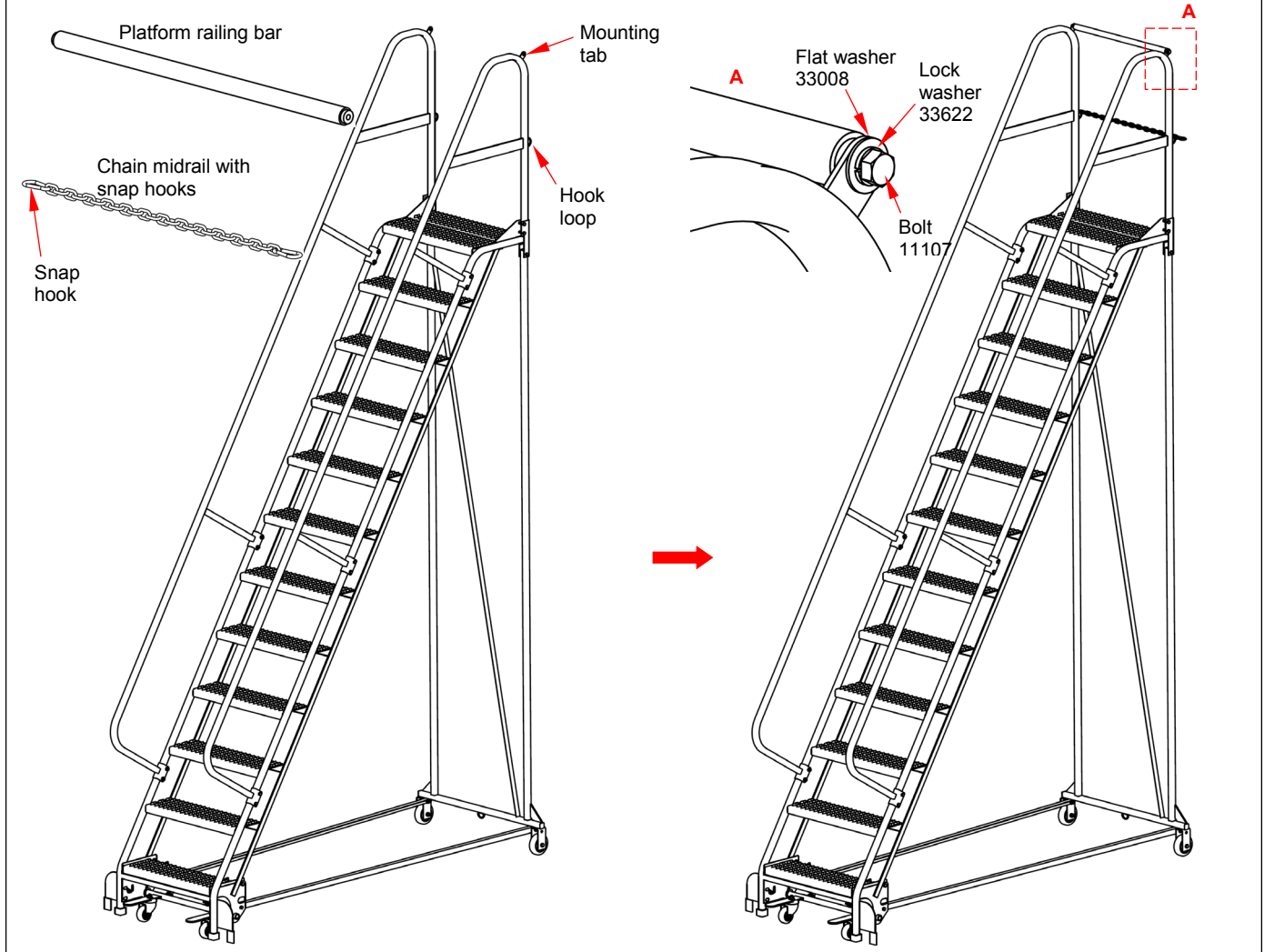
- a) Install the plastic plugs and square caps in the leg tubes. First, press the 1in. plastic plug into the leg tubes. Then, press the square caps over the plugs and onto the ends of the legs. If necessary, use a rubber mallet to gently tap the plugs and caps into place.
- b) Press a plug into each end of the cross brace.
- c) Then, insert the wheels (16-132-009) into the wheel brackets and install $\frac{3}{8}$ "-16 x 2 $\frac{1}{2}$ " bolts (11113). Secure the bolts with axle. Lubricate the bolts as needed to allow the wheels to rotate freely.



Step 5: Attach the handrails. Attach each handrail bracket to a siderail with 2 bolts (11060) and 2 lock nuts (37021). Also install 2 bolts and lock nuts in the handrail post brackets. Tighten all connections. The following diagrams show an LAD-PW with 6 steps. Shorter units have handrails with just 1 handle bracket. The handrails of taller models have 3 handle brackets.



Step 6: Install the platform railing bar (44-514-324; 44-514-314; or 44-514-343). Attach the bar to the mounting tabs with bolts (11107), lock washers (33622), and flat washer (33008). Models with 12 steps (LAD-PW-26-12 & LAD-PW-32-12) also include a chain midrail (99-145-031 or 99-145-025) with a snap hook on each end. Attach the snap hooks to the hook loops.



RECORD OF SATISFACTORY CONDITION (THE “RECORD”)

After assembling the ladder and before putting it into service, visually inspect the ladder. Record the condition and appearance of each of the frame members (step weldment, back leg weldment, base support frame members), the handrails, outriggers, wheels and/or casters, (leg) caps, back platform frame and chain, and all fasteners (bolts, nuts, etc.). Thoroughly photograph the ladder from multiple angles. Include close range photographs of the rubber leg caps, casters and wheels, all labeling, and all handrail connections. Add the photographs to the record. Collate all photographs and writings into a single file. This file is a record of the ladder in satisfactory condition. Compare the results of all inspections to this Record to determine whether the ladder is in satisfactory condition. Do not use the ladder unless it is in satisfactory condition. Purely cosmetic changes, like damaged paint or powdercoat, are not changes from satisfactory condition. However, touchup paint should be applied as soon as damage occurs.

NATIONAL STANDARDS

This product is a “mobile ladder stand” (MLS). [ANSI standard A14.7](#) (the “Standard”) applies to MLS’s. You *should* acquire a copy of the latest version of the standard. Follow all use and maintenance/care instructions provided in the Standard as well as all other provisions for MLS owners and users. If any content in this manual conflicts with any mandatory provision(s) in the Standard, apply the provision(s) from the Standard.

USING THE LADDER

Review the [SAFETY INSTRUCTIONS](#) on p. 3 before using the ladder.

Inspect the ladder before each use for damage, such as unusual wear, deterioration, or corrosion. Tighten loose nuts. If a lock nut has been partially or completely unfastened, it must be replaced with a new lock nut.

Make sure there are no children in the area where the ladder is used or stored.Climbing the ladder:

ONLY use this ladder on solid, level ground. Never use the ladder on angled surfaces. The ladder must not wobble or lean while in use. Only climb the ladder when the steps and handrails are clean and dry. If you are using a 2-5 step model, lock the (rear) swivel locking casters before climbing the ladder. See [2-5 Step Models: Step 4](#) on p. 18.

Stand on the bottom step. The front legs of the ladder should automatically lower into contact with the ground as either the caster springs compress (2-5 step models; [p. 14](#)) or the caster brackets pivot upwards (6-12 step models; [p. 15](#)). The rubber caps on the front legs (see [Step 4](#) on [p. 18-19](#)) must solidly contact the ground before climbing the ladder. The caps resist sliding movement. They are included to prevent the front end of the ladder from moving while they are in contact with the ground.

Face the ladder and grasp the handrails while ascending or descending the steps. Do not lean against the handrails, the guardrails (around the platform), or the platform bar or chain. Do not lean over the handrails or guardrails.

Moving the ladder:

Grasp the handrails and carefully push the ladder.

After using a ladder with 6-12 steps, the mechanism that brings the front casters into ground contact must be reset. Lift the front of the ladder while pressing down on one of the caster brackets. Caster brackets are identified on p. 15. Only try to move the ladder if you are able to comfortably lift the front end and can easily control the ladder.

Storing the ladder

The ladder stand is designed for use both indoors and outdoors. However, it should only be stored indoors. The ladder should be considered in storage whenever it has been unused for 30 minutes or more.

INSPECTIONS & MAINTENANCE

Regular maintenance is required for the ladder to function properly for as long as possible. Inspect the unit as instructed. Inspections and all necessary repairs should be performed by qualified persons. Compare the results of each inspection to the [Record of Satisfactory Condition](#). Do not use the ladder unless every part is in satisfactory condition. If you have any questions about the condition of your ladder, contact the [Technical Service](#) department. The phone number is provided on the cover page of this manual. Never make temporary repairs of damaged or missing parts. Only use manufacturer-approved replacement parts to restore the ladder to satisfactory condition.

Before each use inspect the ladder for any sustained damage, such as unusual wear, deterioration, or corrosion. Look for loose connections. Tighten all loose connections.

Regular inspections — at least once per month inspect the following items. Replace all parts not in satisfactory condition before returning the ladder to service. DO NOT continue to use the ladder if damage cannot be repaired.

- Handrails, guardrails, snap hooks, and platform chains: Inspect both handrails. Confirm that they are solidly fastened to the step weldment and to the platform. Each handrail should be straight, rigid, and undamaged. Examine the guardrails around the platform for damage, bends, and cracks. Examine the platform bar and, if applicable, the chain and snap hooks. Confirm that the bar and chain are undamaged and securely fastened to the guard railing. Snap hooks should close automatically.
- Back leg weldment and rear wheels or rear casters: Make sure that the back leg weldment is undamaged, for instance not bent, cracked, or warped. Check the wheels or casters. They must not be significantly worn or cracked. They should be vertical (not bent towards or away from the ladder) and roll smoothly. Examine the wheel brackets and hardware for damage. Tighten nuts and bolts, if necessary. Make sure that casters are solidly fastened. If the stem of either caster can be unscrewed, then you must apply thread bonding compound again. See [Step 2](#) on [p. 17](#).
- Frame members (step weldment, back leg weldment, base supports), handrails, and all fasteners (bolts, nuts, pins): Inspect each frame member for damage. In particular, look for excessive wear, bends, cracks, damaged welds, and looseness. All frame pieces should be square, rigid, and free of rust and corrosion. Remove rust and apply touch-up paint to the affected area. Check the areas where components are fastened/bolted together. Check for cracks around bolt holes, elongated bolt holes, etc.
- Square (rubber) caps: Check the caps for cracks, tear, and wear. Install replacement caps before returning the ladder to service. Even a moderate amount of wear can affect the ability of a cap to resist sliding movement.
- Outriggers (LAD-PW-26-11 and LAD-PW-26-12 models): Examine the outriggers. Both should be securely fastened to the step weldment. Both outriggers should make solid contact with the ground. The ladder should not wobble. Confirm that the caps on the outrigger legs are in satisfactory condition.

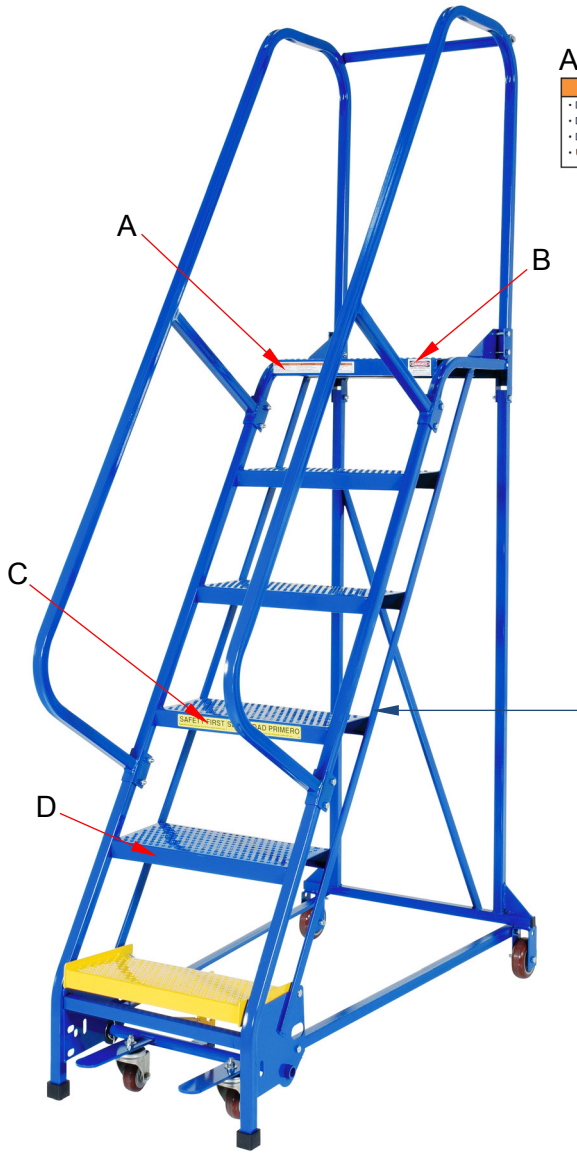
Maintenance: in addition to correcting issues discovered during inspections, maintain the ladder.

- Clean the ladder with a damp cloth to remove dirt and grime, especially from step surfaces. Let the ladder dry completely before returning it to service.
- [6-12 step models] Lubricate bolts as necessary for the wheels to rotate freely.
- Apply touchup paint wherever the finish is damaged. Apply touchup paint as soon as damage occurs.

LABELING DIAGRAM

Each unit should be labeled as shown in the diagram. Label content and location are subject to change so your product might not be labeled exactly as shown. Compare the diagram below to your *Record of Satisfactory Condition*. If there are any differences between actual labeling and this diagram, contact *Technical Service*.

Replace all labels that are damaged, missing, or not easily readable (e.g. faded). To order replacement labels or to inquire whether your unit is properly labeled, contact the technical service and parts department online at <https://www.vestil.com/page-parts-request.php> or by calling (260) 665-7586 and asking for the Parts Department.



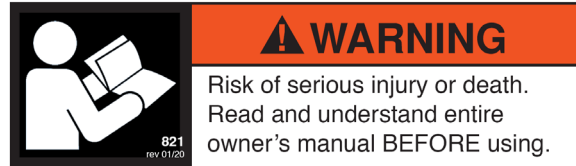
A: Label 740 (on nosing of a step or platform)

⚠ WARNING	⚠ ADVERTENCIA	⚠ AVERTISSEMENT
<ul style="list-style-type: none"> Do not use near live electric lines Do not climb rails or lean over rails Do not use if damaged or worn Use ladder on level, smooth surfaces only 	<ul style="list-style-type: none"> No use cerca de líneas eléctricas No se suba o se asome en la barandilla No use si está dañado o gastado Use la escalera en superficies a nivel y lisas 	<ul style="list-style-type: none"> Ne pas utiliser près des lignes électriques sous tension Ne pas grimper sur ou vous pencher des rails Ne pas utiliser si endommagée ou usagée Utiliser l'échelle seulement sur des surfaces plates et lisses

B: Label 904 (on nosing of a step)



C: Label 821 (on nosing of a step)



D: Label 287 (on nosing of a step)

MODEL/MODÉLO/MODÈLE _____	
STATIC CAPACITY (evenly distributed) _____	lbs.
LA CAPACIDAD CONSTANTE (distribuida uniformemente) _____	kgs.
CAPACITÉ STATIQUE (distribuée régulièrement) _____	kgs.
SERIAL/SERIE/SÉRIE _____	

287 REV 0812

NOTE: To provide access to this manual for all persons who use this ladder, a protected copy of the manual should be attached to the ladder. For example, a copy of the manual can be placed inside a transparent plastic pouch or folder that is tied to the ladder frame. An appropriate place to tie the folder to the frame is on the side rail next to the step where label 821 is applied.

LIMITED WARRANTY

Vestil Manufacturing Corporation (“Vestil”) warrants this product to be free of defects in material and workmanship during the warranty period. Our warranty obligation is to provide a replacement for a defective, original part covered by the warranty after we receive a proper request from the Warrantee (you) for warranty service.

Who may request service?

Only a warrantee may request service. You are a warrantee if you purchased the product from Vestil or from an authorized distributor AND Vestil has been fully paid.

Definition of “original part”?

An original part is a part used to make the product as shipped to the Warrantee.

What is a “proper request”?

A request for warranty service is proper if Vestil receives: 1) a photocopy of the Customer Invoice that displays the shipping date; AND 2) a written request for warranty service including your name and phone number. Send requests by one of the following methods:

<u>US Mail</u>	<u>Fax</u>	<u>Email</u>
Vestil Manufacturing Corporation	(260) 665-1339	info@vestil.com
2999 North Wayne Street, PO Box 507	<u>Phone</u>	Enter “Warranty service request”
Angola, IN 46703	(260) 665-7586	in subject field.

In the written request, list the parts believed to be defective and include the address where replacements should be delivered. After Vestil receives your request for warranty service, an authorized representative will contact you to determine whether your claim is covered by the warranty. Before providing warranty service, Vestil will require you to send the entire product, or just the defective part (or parts), to its facility in Angola, IN.

What is covered under the warranty?

The warranty covers defects in the following original, dynamic parts: motors, hydraulic pumps, motor controllers, and cylinders. It also covers defects in original parts that wear under normal usage conditions (“wearing parts”), such as bearings, hoses, wheels, seals, brushes, and batteries.

How long is the warranty period?

The warranty period for original dynamic components is 1 year. For wearing parts, the warranty period is 90 days. Both warranty periods begin on the date Vestil ships the product to the Warrantee. If the product was purchased from an authorized distributor, the periods begin when the distributor ships the product. Vestil may, at its sole discretion, extend a warranty period for products shipped from authorized distributors by up to 30 days to account for shipping time.

If a defective part is covered by the warranty, what will Vestil do to correct the problem?

Vestil will provide an appropriate replacement for any *covered* part. An authorized representative of Vestil will contact you to discuss your claim.

What is not covered by the warranty?

The Warrantee (you) is responsible for paying labor costs and freight costs to return the product to Vestil for warranty service.

Events that automatically void this Limited Warranty.

- Misuse;
- Negligent assembly, installation, operation or repair;
- Installation/use in corrosive environments;
- Inadequate or improper maintenance;
- Damage sustained during shipping;
- Collisions or other accidents that damage the product;
- Unauthorized modifications: Do not modify the product IN ANY WAY without first receiving written authorization from Vestil.

Do any other warranties apply to the product?

Vestil Manufacturing Corp. makes no other express warranties. All implied warranties are disclaimed to the extent allowed by law. Any implied warranty not disclaimed is limited in scope to the terms of this Limited Warranty. Vestil makes no warranty or representation that this product complies with any state or local design, performance, or safety code or standard. Noncompliance with any such code or standard is not a defect in material or workmanship.

