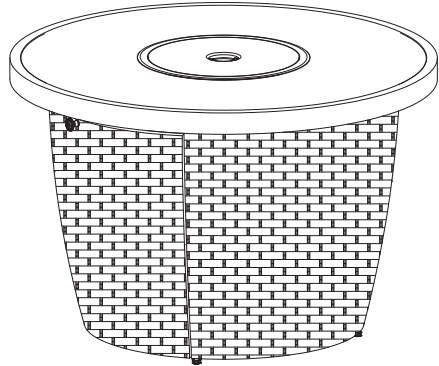


5pc Woven Sectional with Fire

ITM. / ART. 1372978

ASSEMBLY / CARE & USE INSTRUCTIONS

IMPORTANT, RETAIN FOR FUTURE REFERENCE: READ CAREFULLY
 THE ITEM IS INTENDED FOR OUTDOOR DOMESTIC USE ONLY, NOT FOR COMMERCIAL USE.



PART NO.	A	B	C	AA
PICTURE				
QTY	1	1	1	1

Questions, problems, missing parts? Before returning to your retailer, call our customer service department at **1-888-690-9800** or email us at cs@sunvillahome.com
 8:30 a.m. - 5:00 p.m. PT / 11:30 a.m. - 8:00 p.m. ET, Monday - Friday. English and Spanish.

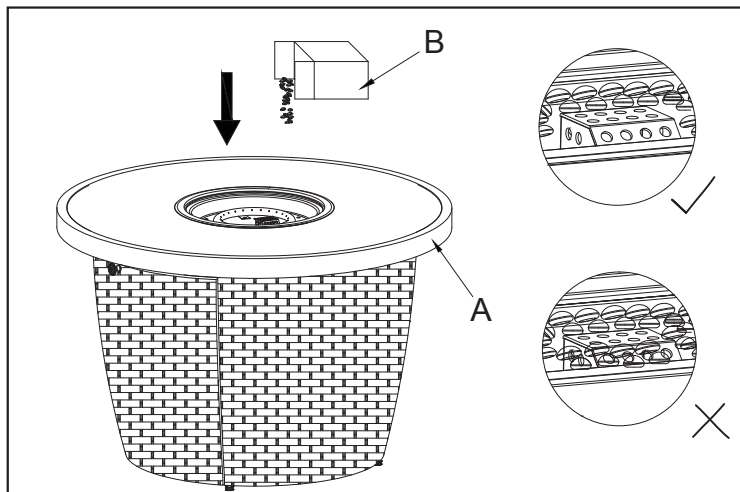
PREPARATION

Before beginning to assemble this product, make sure all parts are present. Compare parts with package contents list and hardware contents list. If any parts are missing or damaged, do not attempt to assemble this product. Stop and call our customer service center.

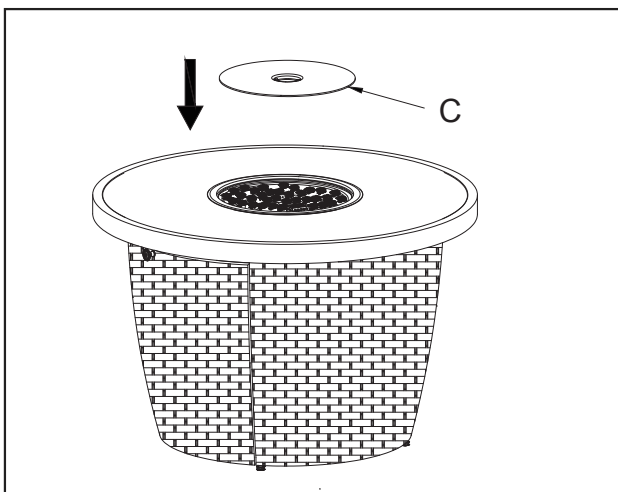
SAFETY INFORMATION

Please read and understand this entire manual before attempting to assemble or install the product. It should not be used as a toy or tool. Children should not engage in the operation, assembly, removal, or disassembly of the product.

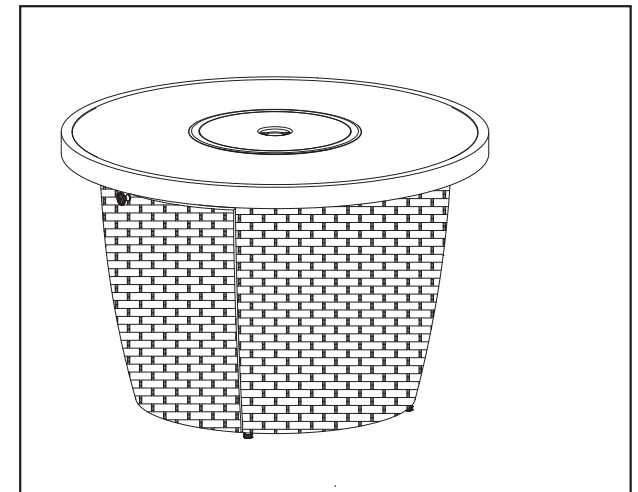
Step # 1



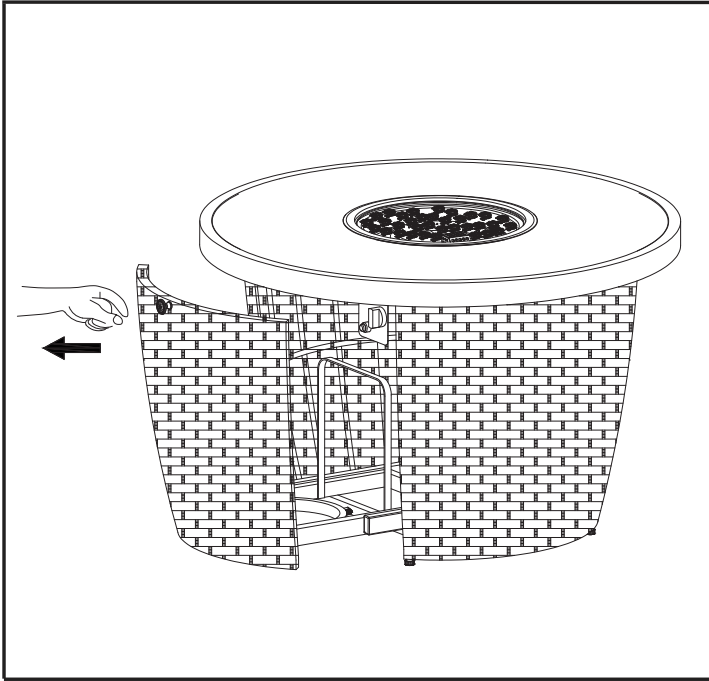
Step # 2



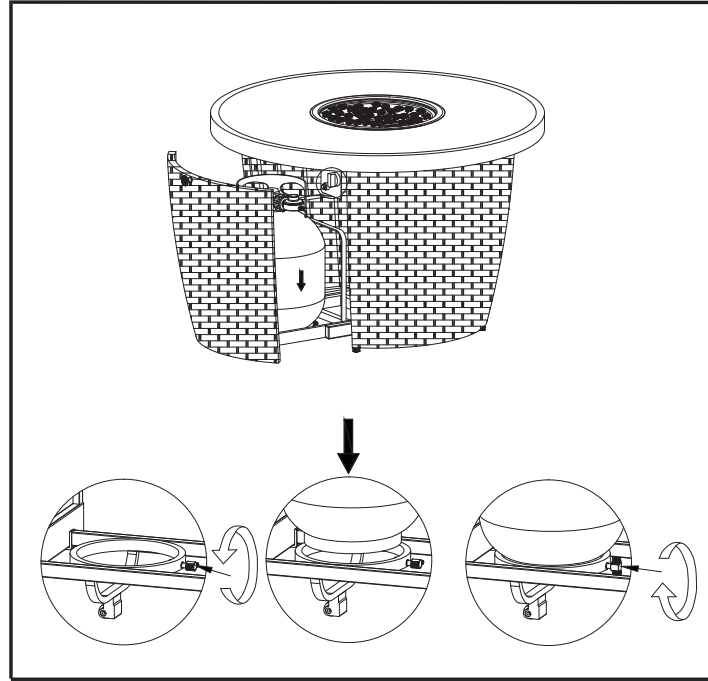
Step # 3



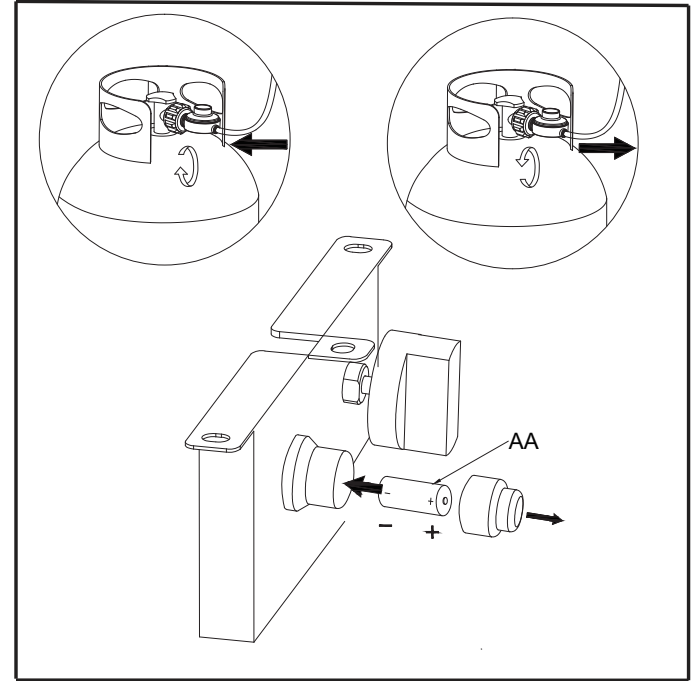
Step #4



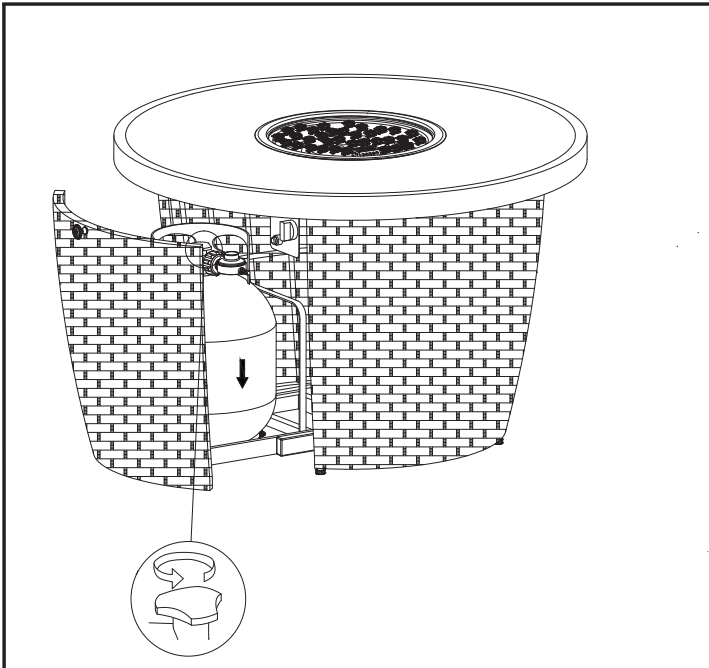
Step #5



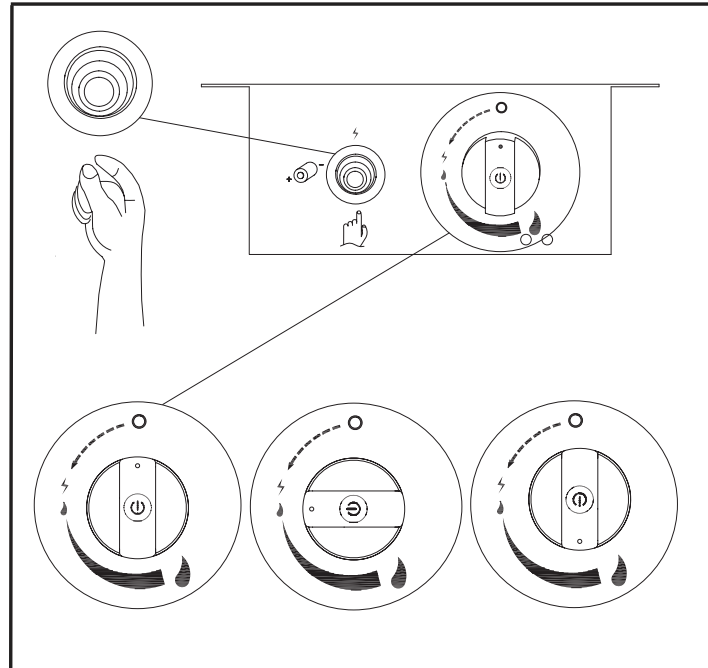
Step #6



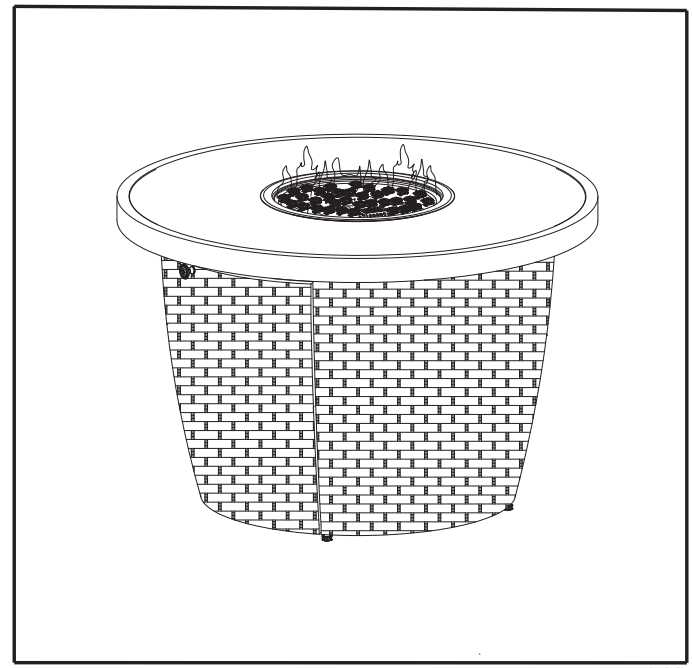
Step #7

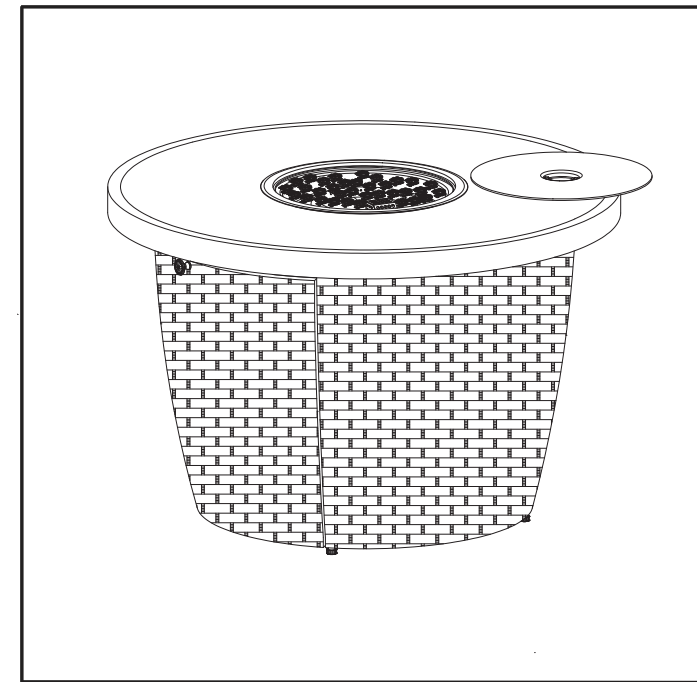
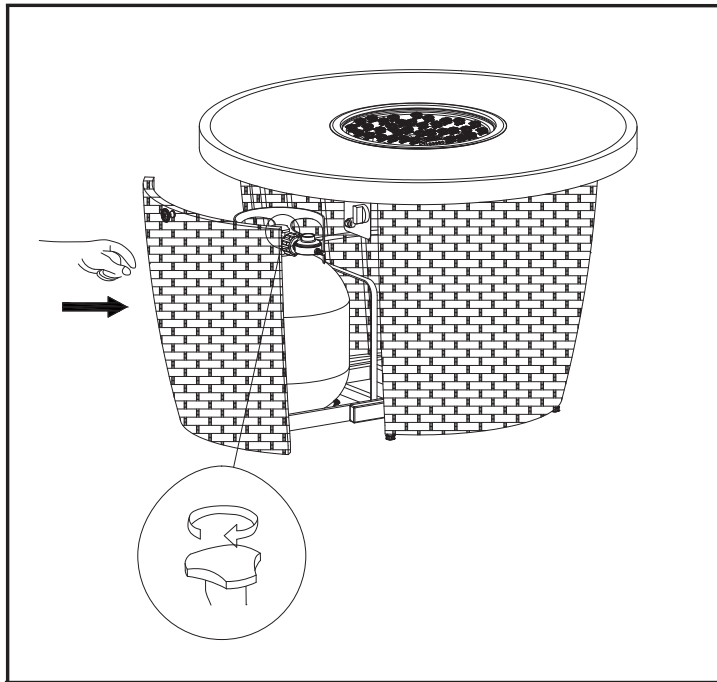
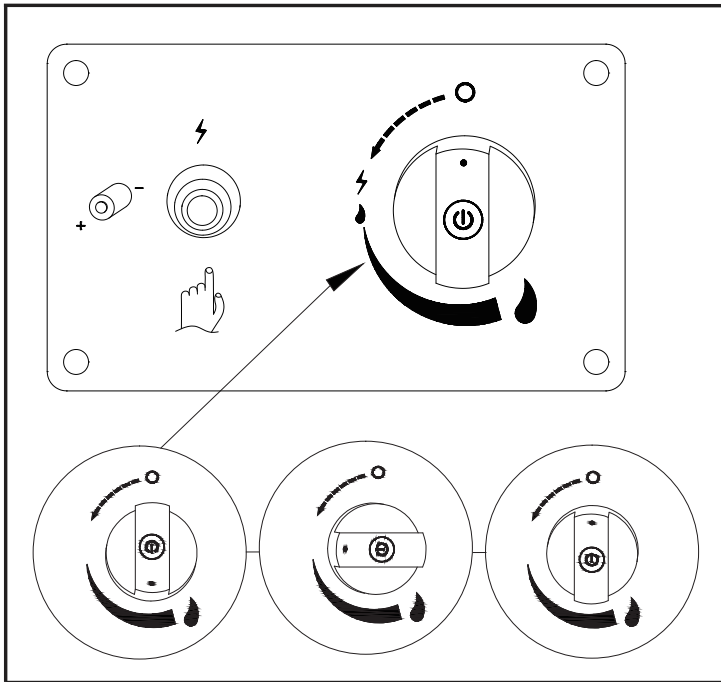


Step #8



Step #9





CARE AND MAINTENANCE

Periodic Maintenance For Your Stone Table Top

Your stone tabletop is coated at the factory with a protective stone sealer. The sealer provides resistance from stains and moisture and helps maintain the stone's natural color. For optimum protection, stone tops should be resealed every 6 to 12 months after it has been thoroughly cleaned of all dirt and debris. Stone sealer is available at most club and hardware stores. Use of placemats, table runners, and beverage coasters will help in the prevention of scratches, stains, and will catch potential spills. Use an outdoor furniture cover to protect your investment when not in use.

Cleaning Your Stone Table Top

Your stone table top is virtually maintenance free. Maintain the new look of your stone top by removing dust and dirt with plain water periodically. Occasionally rinse off your table top to prevent debris from settling in and to prevent stains or discolorations. You can also use a mild detergent mixed with water and scrub the table top with a soft, clean cloth or sponge. Immediately dry your table top after cleaning to prevent moisture penetration and water spots. Spills should be cleaned up immediately as they may begin to penetrate the sealant. For more thorough cleaning of the table top use a water-based biodegradable cleaner. Avoid ammonia-based cleaners, which can break down the sealant and possibly damage or discolor the stone. You should never use scouring creams, abrasive cleansers, vinegar cleaners, acid based products or any alkaline-based products such as ammonia, baking soda or borax.

Cold Climates

We recommend that your stone top be stored in a dry area in cold climates or be covered with a suitable outdoor furniture cover. Make a tent with the cover so that it is not touching any part of the tabletop, this will promote airflow and allow moisture to escape. It is possible that snow sitting on a tabletop for an extended period of time could cause moisture to penetrate the sealer. Stone is porous, and if moisture were to enter the stone and freeze, the stone may crack. Always seal the tabletop before each winter for added protection.

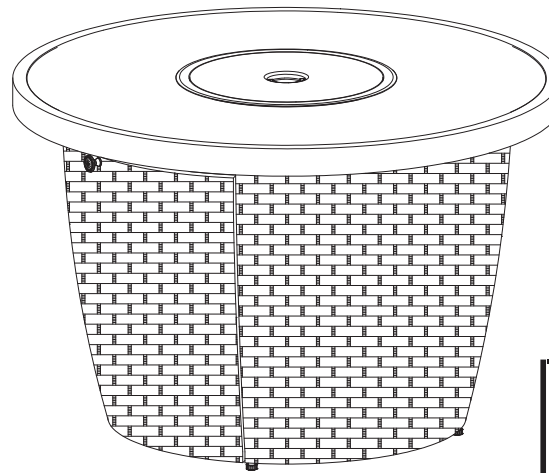
Hot Climates

The porous nature of stone leaves it susceptible to heat retention. Care and caution should be used when handling a stone top that has been subjected to lengthy sun exposure. It is recommended that you use this product under a protective shade canopy.

User Manual for Fire Pit Table

Installer: Leave this manual with appliance.

Consumer: Retain this manual for future reference.



WARNING



**HOT! DO NOT TOUCH.
SEVERE BURNS MAY RESULT.
CLOTHING IGNITION MAY RESULT.**

Glass and other surfaces are hot during operation and cool-down

- Young children should be carefully supervised when they are in the area of the appliance.
- Children and adults should be alerted to the hazards of high surface temperatures and should stay away to avoid burns or clothing ignition.
- Clothing or other flammable materials should not be hung from the appliance or placed on or near the appliance.

CAUTION: Hot while in operation. Do not touch keep burner area clean.



WARNING: For outdoor use only.

Installation and service must be performed by a qualified installer, service agency, or the gas supplier.



DANGER



CARBON MONOXIDE HAZARD

This appliance can produce carbon monoxide, which has no odor.

Using it in an enclosed space can kill you.

Never use this appliance in an enclosed space such as a camper, car or home.



WARNING: If the information in this manual is not followed exactly, a fire or explosion may result causing property damage, personal injury, or loss of life.



C US



DANGER

If you smell gas:

- Shut off gas to the appliance.
- Extinguish any open flame.
- If odor continues, leave the area immediately
- After leaving the area, call your gas supplier or fire department.

Failure to follow these instructions could result in fire or explosion, which could cause property damage, personal injury, or death.



WARNING

Do not store or use gasoline, or other flammable vapors and liquids, in the vicinity of this or any other appliance. An LP-cylinder not connected for use shall not be stored in the vicinity of this or any other appliance.



WARNING

- California Proposition 65: Combustion by-products produced when using this product contain chemicals known to the State of California to cause cancer, birth defects, and other reproductive harm.
- California Proposition 65: Wash your hands after handling this product.
- California Proposition 65: Handling the brass material on this product exposes you to lead, a chemical known to the State of California to cause cancer, birth defects, or other reproductive harm.

CAUTION



DO NOT DISCARD THIS MANUAL

- Important operating and maintenance instructions included.
- Read, understand, and follow these instructions for safe installation and operation.



WARNING



Improper installation, adjustment, alteration, service, or maintenance can cause injury or property damage. Read the installation and maintenance instructions thoroughly before installing or servicing this equipment.

User Manual for Fire Pit Table

Installer: Leave these instructions with consumer

Consumer: Keep these instructions for future reference.

This appliance is a Decorative Gas Appliance for **OUTDOOR USE ONLY** and **MUST NOT** be used for cooking.

A. Design and Installation Considerations

Place the Fire Pit on a flat and stable surface in an outdoor location adjacent to the gas supply line or LP gas supply cylinder. **DO NOT** locate the appliance where it will get excessively wet or submerged in water.

B. Tools and Supplies Required

Before beginning the installation, be sure that the following tools and supplies are at hand.

- Gloves
- Safety Glasses
- Wrench

C. Inspect the Appliance and Components



WARNING



Inspect appliance and components for damage. Damaged parts may impair safe operation.

- DO NOT** install damaged, incomplete, or substitute components. Report damaged parts to your dealer.
- Carefully remove all burner components from packaging.
- Read all instructions before beginning installation. Follow these instructions carefully during installation to ensure maximum safety and benefit.



WARNING



Asphyxiation Risk

- This gas appliance is for outdoor use in a well-ventilated space.
- This unit must not be installed inside an enclosed structure or unvented area.



WARNING



Never leave Fire Pit unattended for any amount of time.
Never sit on the Fire Pit.
Never use Fire Pit as a storage unit.



WARNING



The warranty will be voided by the following actions:

- Installation and use of any damaged components.
- Modification of the burner assembly.
- Installation other than as instructed by the factory.

Any such action may cause a fire hazard.



WARNING



Do **NOT** use this appliance if any part of it has been underwater. Have a qualified service technician inspect the appliance and replace any part of the control system and any gas control which has been underwater. Do not burn solid fuels in this gas appliance.



WARNING



1. Glass media may have sharp edges. Wear safety glasses and gloves when handling.
2. Pour the glass media evenly in to the burner area (with the exception of the screen-if applicable). The glass should be 1/2-1" above the burner.
3. Keep away from the unit for the first 20 minutes after igniting your unit for the first time, as glass beads could pop out and cause injury. Should any rocks pop out, discard them.



BATTERY WARNING: Never dispose battery directly into trash and do not throw into fire.

Gas Hookup and Information

A. Fuel

Before making gas connections, ensure the appliance being installed is compatible with the available gas type.

B. Gas Pressure

Proper input pressures are required for optimum performance. Gas line sizing requirements need to be made following NFPA54

Note: CSA listed (and Commonwealth of Massachusetts approved) 3/8 in. T-handle manual shut-off valve and flexible gas connector are connected to the 3/8 in. Control valve inlet. If substituting for these components, please consult local codes for compliance.

WARNING

Fire Risk
Explosion Risk
Verify inlet pressures

- High pressure may cause overfire condition.
- Low pressures may cause explosion.
- Verify minimum pressures when other household gas appliances are operating.

Install regulator upstream of valve if line pressure is greater than ½ psi.

Incoming gas line should be piped to the 3/8 inch connection on the manual shutoff valve.

WARNING

Fire Risk
Explosion Risk

- Gas build-up during line purge may ignite.
- Purge should be performed by qualified technician.
- Ensure adequate ventilation.
- Ensure there are no ignition sources such as sparks or open flames.

WARNING

CHECK FOR GAS LEAKS
Fire Risk
Explosion Risk
Asphyxiation Risk

- Check all fittings and connections Please see below picture.
- Do not use open flame,
- After the gas line installation is complete, all connections must be tightened and checked for leaks with a commercially available leak-check solution. Be sure to rinse off all leak check solution. Be sure to rinse off all leak check solution following testing.

Fittings and connections may have loosened during shipping and handling.

Pressure requirements for appliance are shown in table below. Minimum pressures must be met when other household gas appliances are operating.

Pressure	Natural gas	Propane
Minimum Inlet Pressure	3.5 in w.c.	25 psi
Maximum Inlet Pressure	10.5 in w.c.	250 psi

The appliance and its individual shutoff valve must be dis-connected from the gas supply piping system during any pressures in excess of 1/2 psi / 3.5 kpa. The appliance must be isolated from the gas supply piping system by closing its individual manual shutoff valve during any pressure testing of the gas supply piping system at test pressures equal to or less than 1/2 psi / 3.5 kpa.

C. Gas Connection

Note: Have the gas supply installed in accordance with local building codes, if any. If not, follow ANSI 223.1. Installation should be done by a qualified installer approved and/or licensed as required by the locality. (In the Commonwealth of Massachusetts installation must be performed by a licensed plumber or gas fitter.)

- A small amount of air will be in the gas supply line. When first lighting appliance, it will take a short time until unit will not require such purging. Never allow the ON / OFF valve to remain in the open position without pressing and continuing to hold igniter button FIRST.

▲ WARNING

Installation and repair should be done by a qualified service person. The appliance should be inspected before use and at least annually by a qualified service person. More frequent cleaning may be required as necessary. It is imperative that the control compartment, burners and circulating air passageways of the appliance are kept clean.

*Do not use this fire pit for cooking.

*Do not burn any other materials than are supplied with and intended for use in this fire pit.

*The installation of this product must conform with local codes. In the absence of local codes, use the National Fuel Gas Code, ANSI Z 223.1/NFPA54. Reference to Natural Gas and Propane Installation code CSA b149.1 or Propane Storage and Handling code B149.2.

*Do not use this fire pit if any part has been under water. Do not pour water into fire pit.

*Do not store a spare or disconnected liquid propane cylinder under or near this fire pit.

*After a period of storage, and/or non use, the propane fire pit should be checked for gas leaks and burner obstructions before use.

*Do not operate the propane fire pit if there is gas leak present.

*Never use a flame to check for gas leaks.

*Combustible materials should never be within 61" (155cm) of the top 48" (122cm) from back or sides of your propane fire pit.

*Do not put any other fire pit cover or anything flammable on, or beneath the fire pit.

*The propane fire pit should never be used by children. Children must be supervised when they are anywhere near the appliance.

*Users should be alerted to the hazards of high surface temperatures and keep a safe distance to avoid burning or clothing ignition.

*Pay attention when operating the fire pit. It is hot in use and should never be left unattended. Do not transit fire pit while in operation.

*Should fire go out while burning, turn the gas valve off. Follow the instruction and wait five minutes before attempting to relight.

*Never use charcoal or any other solid fuel in the fire pit. Never parch clothing or other flammable materials on or near the fire pit.

*Never lean over the open fire pit or place hands or fingers on the upper portion of an operational unit.

*Keep ventilation openings in cylinder enclosure (FIRE PIT BODY) free and clear of debris.

Always remove protective cover or lid before operating.

*Please take out the battery when not using the fire pit for an extended length of time.

*Do not enlarge valve orifices or burner ports when cleaning the valve or burner. Cylinder supply system must be arranged for vapor withdrawal.

*LP Tank used must include a collar to protect the cylinder valve. *Never fill the cylinder beyond 80% full.

*The conversion or attempted use of natural gas in a liquid propane unit or liquid propane gas in a natural gas unit is dangerous.

*Do not use this fire pit on vehicles or boats. Always operate the appliance on the flat ground outdoors.

*Keep any electrical supply cord and the fuel supply hose away from any heated surfaces.

*Do not use this fire pit unless all parts are in place.

*Keep the appliance area clear and free from combustible materials, gasoline, and other flammable vapors and liquids.

*Prior to each fire table operation, check the hose for evidence of excessive abrasion or wear by looking through the visual check hole. If the hose is damaged, cracked or cut, it must be replaced before using the gas fire table. The hose assembly can only be replaced with a hose assembly specified by the manufacturer. Please call 1-888-690-9800.

*Locating the hose out of pathways where people may trip over it or in areas where the hose may be subject to accidental damage.

Before each use, remove the lava rock or glass beads. Examine the burner and its components. If dirty, clean with a soft brush and soapy water solution. Also examine the area around the burner. Any dirt or foreign material, such as spider webs or nests in this area should be removed. If it is evident that the burner is damaged, the fire table must not be used. The burner assembly can not be replaced. Please call 1-888-690-9800.

The LP-gas supply cylinder to be used only one 20 lb and must be:

1) constructed and marked in accordance with the U.S. Department of Transportation (D.O.T.)

Specifications for LP-Gas Cylinders, or the Standard for Cylinders, Spheres and Tubes for Transportation of Dangerous Goods and Commission, CAN/CSA-B339, as applicable;

2) provided with a listed overfilling prevention device;

3) provide with a cylinder connection device compatible with the connection for the appliance.

Troubleshooting

Symptom	Possible Causes	Corrective Actions
1. Fire won't light	A. No LP in tank, or NG main not turned on.	Check the LP (propane) tank. You may be out of gas. Or check Natural Gas valve at main.
	B. Plugged burner orifice.	Check the burner orifice for stoppage. Remove stoppage.
	C. Battery needs replacing	Make sure there is a clicking sound when you press the igniter button. If no clicking sound, make sure you installed the battery correctly, with the negative side going into battery compartment first. Still not working, replace with a brand new AAA 1.5 V battery. If unit still does not operate it may require cleaning or replacement, call our USA Customer Service Hotline at 1-888-690-9800 for assistance.
2. Low flames or won't stay lit	A. Manual shutoff valve (on / off control knob) open or not installed between LP tank and appliance.	Close LP tank and manual shutoff valves. Open LP tank valve first, then the manual shutoff valve.
3. Blue flames	A. This is a result of normal operation and flames will begin to yellow as unit is allowed to burn for 16-20 minutes.	Do nothing.
	B. Improper air / fuel mixture related to air shutter position.	Close air shutoff. (for LP, leave 1/4" open, natural gas 1/16" open)
4. Metallic noise	A. Noise is caused by metal expanding and contracting as it heats up and cools down, similar to the sound produces by a furnace or heating duct. This noise does not affect the operation or longevity of the	Do nothing.
5. Decorative Beads cracking or splitting	A. Heat and / or abrupt temperature changes.	This is a property of glass and may happen occasionally. Do nothing. This is completely normal.

Maintenance and Service Tasks

Inspect	Inspect
Burner Assembly	1. Remove decorative glass and examine burner. Vacuum and wipe out as needed. Use caution when cleaning these areas.
	2. Inspect for warping and corrosion. Repair as necessary.
	3. Check the hose connecting the LP gas cylinder to ensure it is not damaged. Replace as necessary.
	4. Verify air shutter area is clean.
Burner Ignition and Operation	1. Verify all gas connections are tight and leak-free.
	2. Clean burner top, inspect for plugged ports, corrosion, or deterioration. Replace burner if necessary.
	3. Inspect for flame problems.
	4. Verify air shutter is clear of dust and debris and is in correct position for the gas type being used.
	5. Inspect orifice for soot, dirt, or corrosion.
Gas Hose with Regulator	6. Verify manifold and inlet pressures. Adjust regulator as required.
	1. The gas hose with regulator supplied with appliance must be used for LP installations. The replacement must be those specified by the appliance manufacturer.

Before returning to your retailer, call our USA Customer Service Department at 1-888-690-9800 or email us at cs@sunvillahome.com 8:30 a.m. - 5:00 p.m. PT / 11:30 a.m. - 8:00 p.m. ET, Monday - Friday. English and Spanish.



Before Storing

1. Turn LP gas tank valve to "CLOSED".
 2. Turn control knob to the "OFF" position. Note: A "poof" sound is normal as the last of the gas is burned.
 3. Disconnect LP gas tank per "Disconnecting LP Gas Tank" section.
 4. Clean all surfaces.
- ⚠️ CAUTION: NEVER place cover on hot outdoor fireplace.**
5. Lightly coat the burner with cooking oil to prevent excess rusting.
 6. If storing the outdoor fireplace indoors, cover the outdoor fireplace and store in a cool dry location away from children and pets.
 7. If storing the outdoor fireplace outdoors, cover the outdoor fireplace with the included cover for protection from the weather.


Framing and Clearances

Note:

- Illustrations reflect typical installations and are FOR DESIGN PURPOSES ONLY.
- Illustrations / diagrams are not drawn to scale.
- Actual installation may vary due to individual design preference.

 **WARNING** 

Fire Risk



provide adequate clearance

- Around air openings.
- For service access.

Locate appliance away from traffic ares.

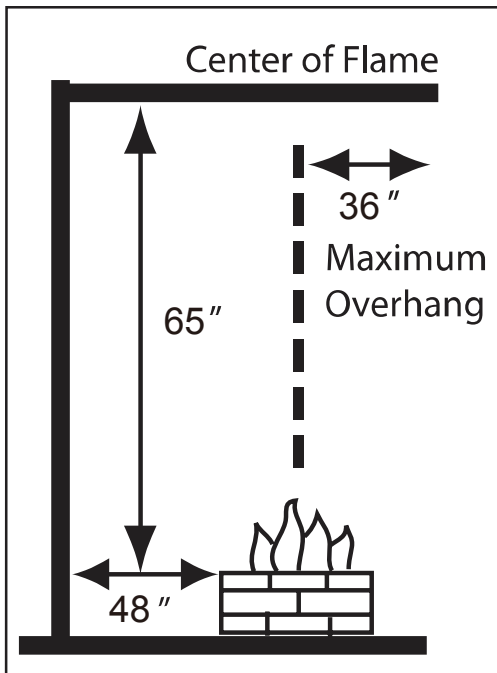
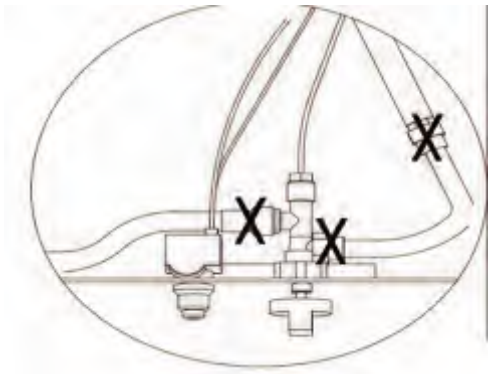
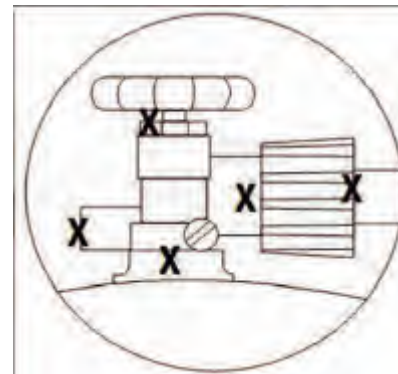


Figure1. Clearance to Combustibles.

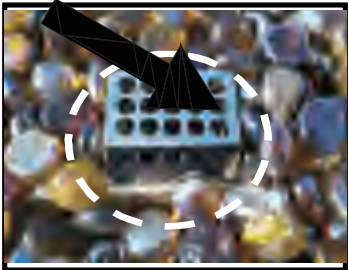

Checking for leaks

1. Make 2-3oz of leak detection solution by mixing one part liquid dishwashing soap with three parts water.
2. Make sure control knobs are in the "o" position (Figure 1)
3. Connect LP gas tank ;
4. Turn LP gas tank valve to "open";
5. Spoon several drops of solution or use a squirt bottle, at all "X" locations;
 - a. If any bubbles appear, turn LP gas tank valve to "CLOSED", reconnect and re-reat;
 - b. If you continue to see bubbles after several attempts turn LP gas tank valve to "CLOSED" and disconnect LP gas tank ,per "Disconnecting LP Gas Tank Contact 888-690-9800 for assistance.
 - c. If no bubbles appear after one minute, turn LP gas tank valve to "CLOSED", wipe away solution proceed.



FOR LIQUID PROPANE GAS UNITS

- *Do not attempt to disconnect the gas regulator or any gas fitting while your fire pit is in operation.
- *A dented or rusty liquid propane cylinder may be hazardous and should be checked by your gas supplier prior to use.
- *Do not use a liquid propane cylinder with a damaged valve and any other worn out parts.
- *Transport and store the empty gas cylinders carefully and properly
- *If you see, smell or hear the hiss of escaping gas from the liquid propane cylinder;
 1. Turn off the gas supply and get away from the gas cylinder and the fire pit at once.
 2. Do not attempt to correct the problem yourself.
 3. Get to your gas supplier and/or the fire department for help.

▲ WARNING	Screen	
 This screen must be clear and free of obstructions at all times to insure proper operation.	DO NOT PLACE GLASS BEADS ON THE SCREEN. KEEP SCREEN CLEAR.	

OPERATION

CAUTION: Children and adults should be alerted to the hazards on high surface temperatures and should stay away to avoid burns or clothing ignition. Young children should be carefully supervised when they are in the area of the appliance.

WARNING: Do not use this appliance if any part has been under water. Immediately call a qualified service technician to inspect the appliance and to replace any part of control system and any gas control, which has been under water.

- SAFETY WARNINGS**
1. Never leave the Fire Pit unattended during operation.
 2. Clothing or other flammable materials should not be placed on or near the appliance.
 3. Any guard or other protective device removed for servicing the appliance must be replaced prior to operating the appliance.
 4. Installation and repair should be done by a qualified service person. The appliance should be inspected before use and at least annually by a qualified service person. More frequent cleaning may be required as necessary. It is imperative the control compartment, burners and circulating air passageways of the appliance be kept clean.
 5. Inspect the fuel supply connection before each use of the appliance.
 6. Temporary storage of this appliance indoors is permissible only if it has been disconnected from its fuel supply (Natural or L.P. gas line).

WARNING

1. This appliance is hot when operated and can cause severe burns if contacted.
2. Do not burn any solid fuels in this appliance.

LIGHTING

1. Make sure all labels, packaging and protective films have been removed from the outdoor fireplace.
 2. Remove cover and lid from outdoor fireplace before lighting.
 3. Check for obstructions of airflow to the burner. Spiders, insects and webs can clog the burner/venturi tube. A clogged burner tube can lead to a fire.
 4. Control knob must be in the "O" position (Figure 1)
 5. Clear small area of glass rocks away from the igniter cover.
 6. Connect LP gas tank per "Installing LP Gas Tank" section.
 7. Turn LP gas tank valve to "OPEN".
 8. Push and hold the electronic igniter to create sparks within the electrode, continue to hold.
 9. Push in the control knob and turn to the "⚡" position, Keep holding down the control knob to allow gas to flow for 20 seconds.
 10. After 20 seconds, release and turn control knob counterclockwise to adjust flame to desired height.
 11. If ignition does not occur in 20 seconds turn burner control knob to "O" wait 5 minutes, fan with a newspaper or magazine, and repeat lighting procedure.
 12. If igniter does not light burner : (Figure 2)
 - a. Wearing heat-resistant gloves, position a long lit match or long lit butane lighter near the pilot housing.
 - b. Push and turn control knob to on.
 - c. Remove match/lighter once burner is lit.
- CAUTION:** After lighting-using a fire place tool and heat-resistant gloves, carefully move the glass beads back to their proper position, being careful to avoid the flame.
13. After lighting, observe the burner flame make sure all ports are lit and flame height matches illustration (Figure 3)



Figure 1



Figure 2

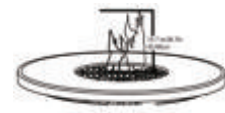
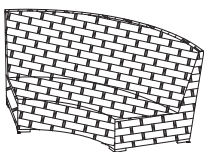
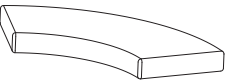
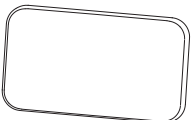

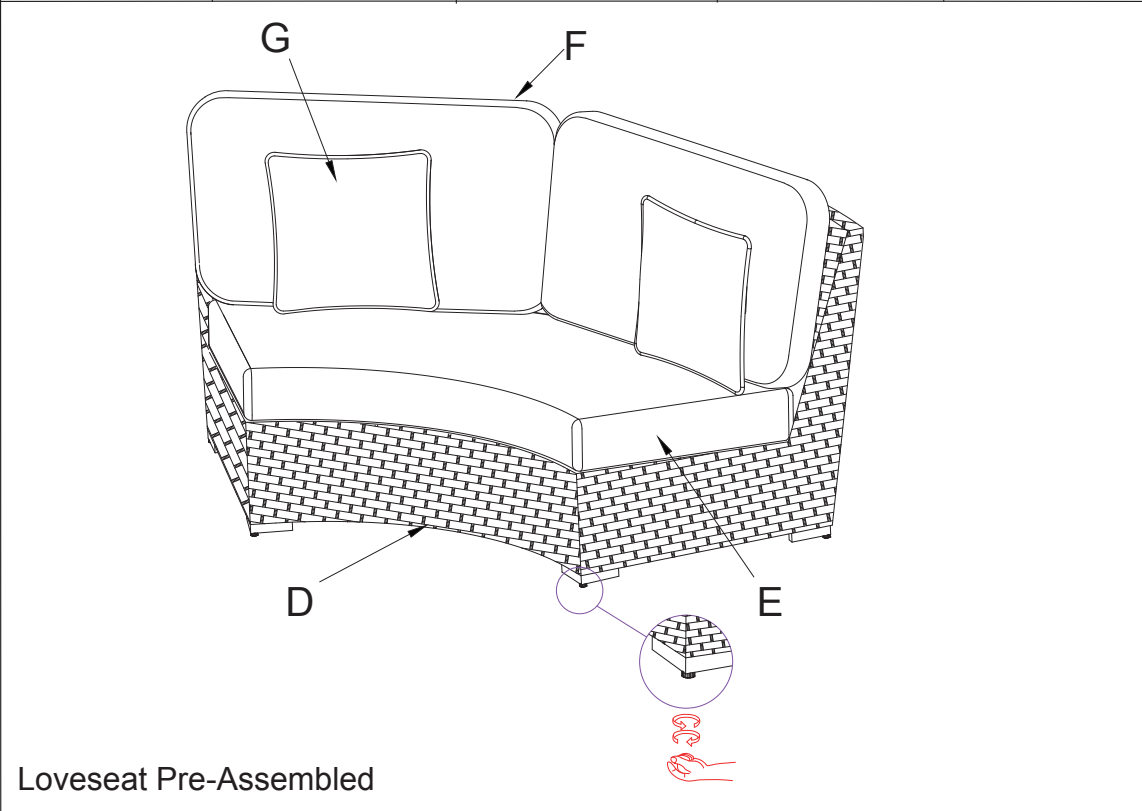


Figure 3

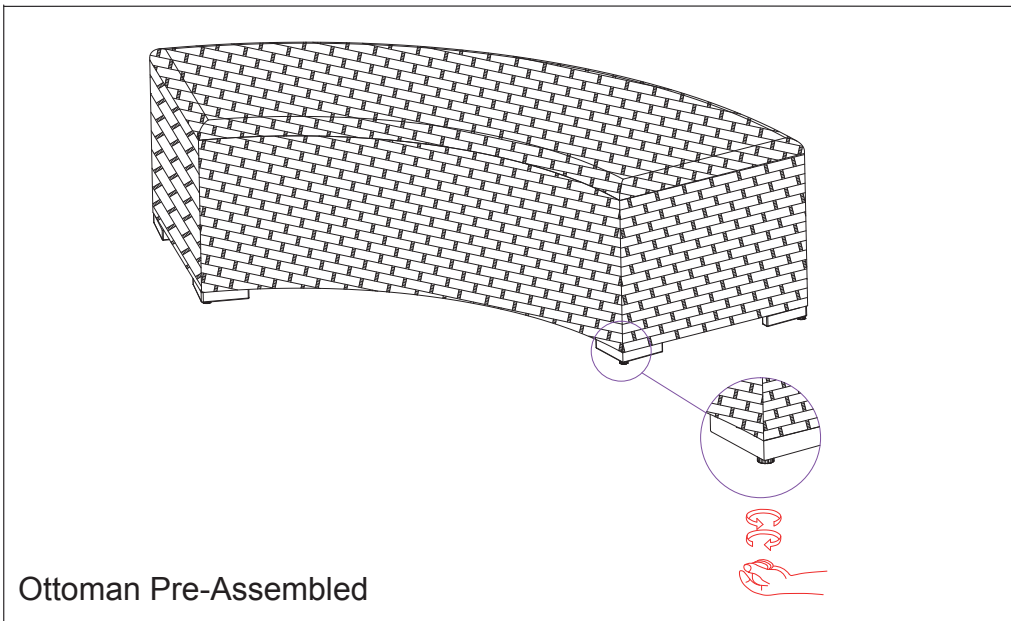
TURNING OFF

1. Turn LP gas tank valve to "CLOSED".
2. Turn control knob to the "O" position. Note: A "poof" sound is normal as the last of the LP gas is burned.
3. Disconnect LP gas tank per "Disconnecting LP Gas Tank" section.

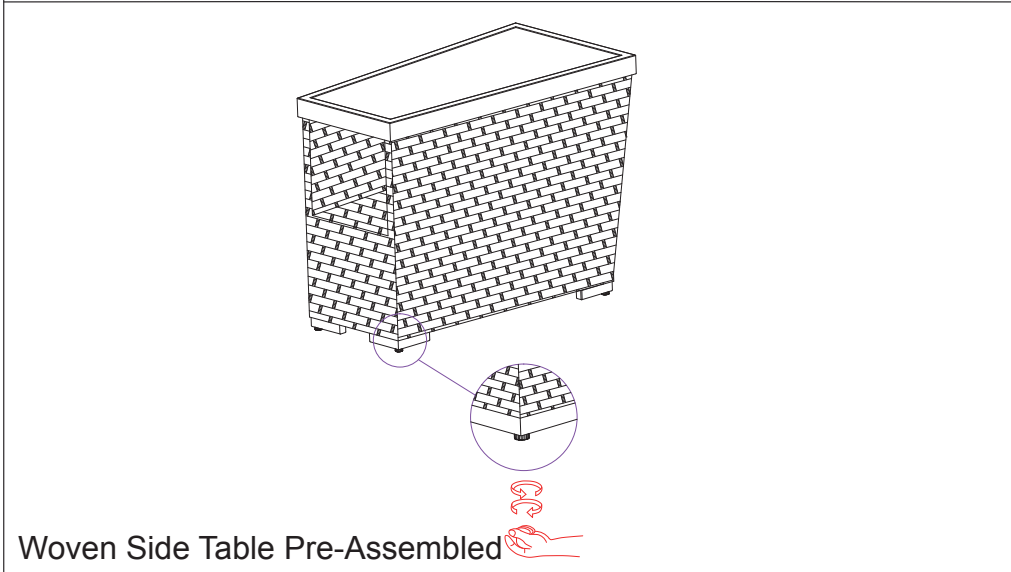
PART NO.	D	E	F	G
PICTURE				
QTY	2	2	4	4



Loveseat Pre-Assembled



Ottoman Pre-Assembled



Woven Side Table Pre-Assembled

CARE AND MAINTENANCE

Frame and fabric

- Hand wash with mild soap and rinse thoroughly with water. Dry with a soft cloth.
- Do not use abrasive cleaners or scrub too rough as it may mar the surface.

Chair fabric

Sunbrella® fabric should be cleaned regularly. Brush off any loose dirt and wash with a mild soap and lukewarm water solution. For stubborn stains and mildew, wash with a solution of 236 ml (1 cup) of bleach and 59 ml (1/4 cup) of mild soap per 3.8 l (1 gallon) of water. Rinse thoroughly to remove soap. Allow fabric to air dry.

Note: Do not machine wash.

Mobilier de jardin modulaire tressé avec table braséro 5 pièces

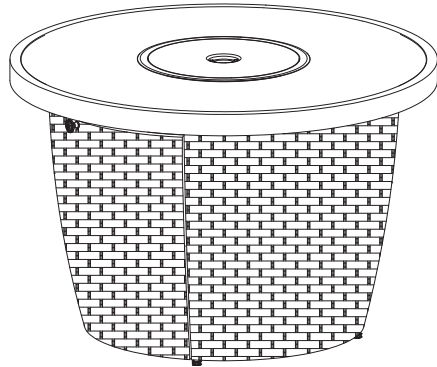
ITM. / ART. 1372978

INSTRUCTIONS D'ASSEMBLAGE, D'ENTRETIEN ET D'UTILISATION

IMPORTANT, À CONSERVER POUR DE FUTURS BESOINS DE RÉFÉRENCE :

À LIRE SOIGNEUSEMENT

PRODUIT DESTINÉ À UN USAGE EXTÉRIEUR DOMESTIQUE SEULEMENT, ET NON À DES FINS COMMERCIALES.



PIÈCE	A	B	C	AA
IMAGE				
QTÉ	1	1	1	1

Questions? Pièces manquantes? Avant de retourner chez le détaillant, communiquer avec le service à la clientèle au **1-888-690-9800**, en semaine, entre 8 h 30 et 17 h (heure du Pacifique) ou entre 11 h 30 et 20 h (heure de l'Est), ou écrire à cs@sunvillahome.com. Service en anglais et en espagnol.

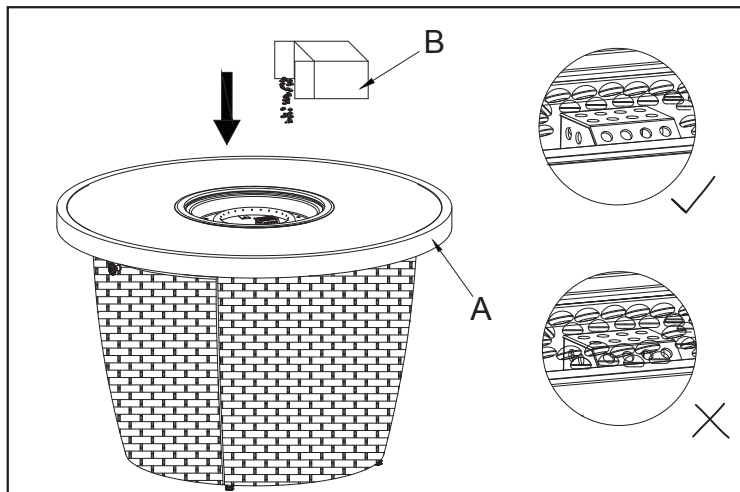
PRÉPARATION

Avant de commencer le montage, vérifier qu'il ne manque aucune pièce. Comparer le contenu de l'emballage avec la liste des pièces et de la quincaillerie. Si une pièce manque ou est brisée, ne pas assembler le produit; appeler le service à la clientèle.

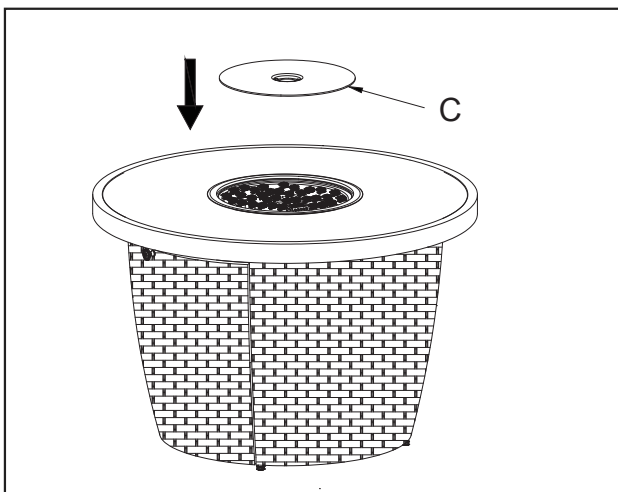
⚠️ CONSIGNES DE SÉCURITÉ

Lire attentivement le présent guide avant de commencer l'assemblage du produit. Ce n'est ni un jouet ni un outil. Les enfants ne doivent pas actionner, assembler, déplacer ou démonter le produit.

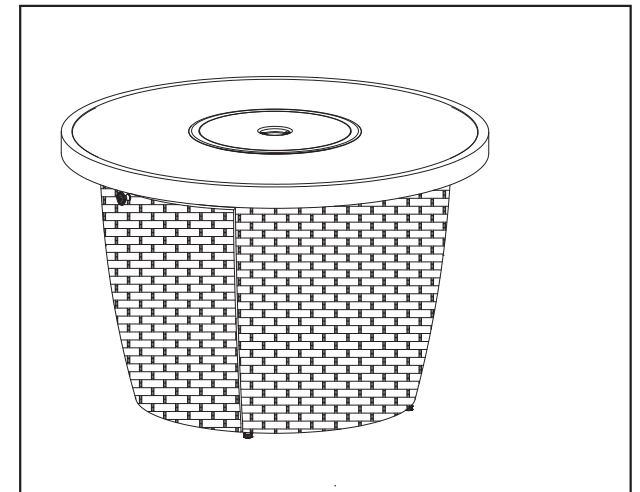
Étape 1



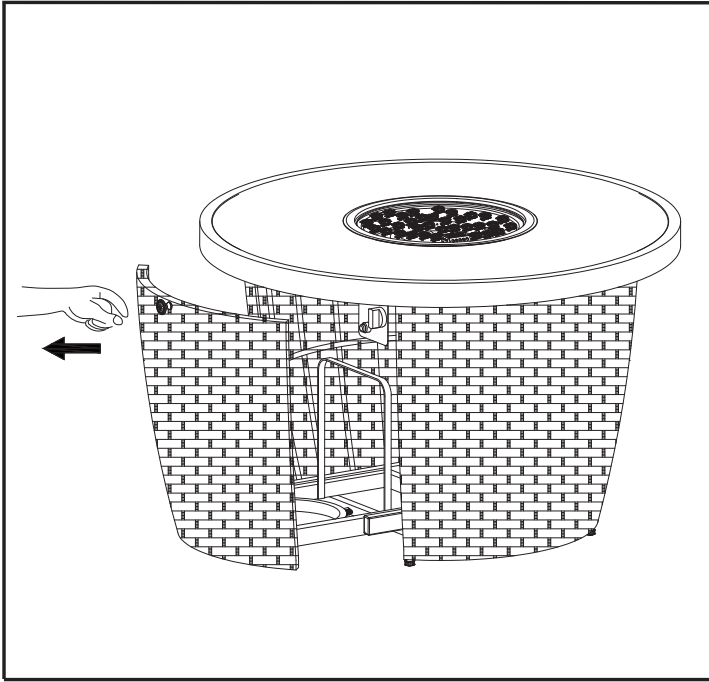
Étape 2



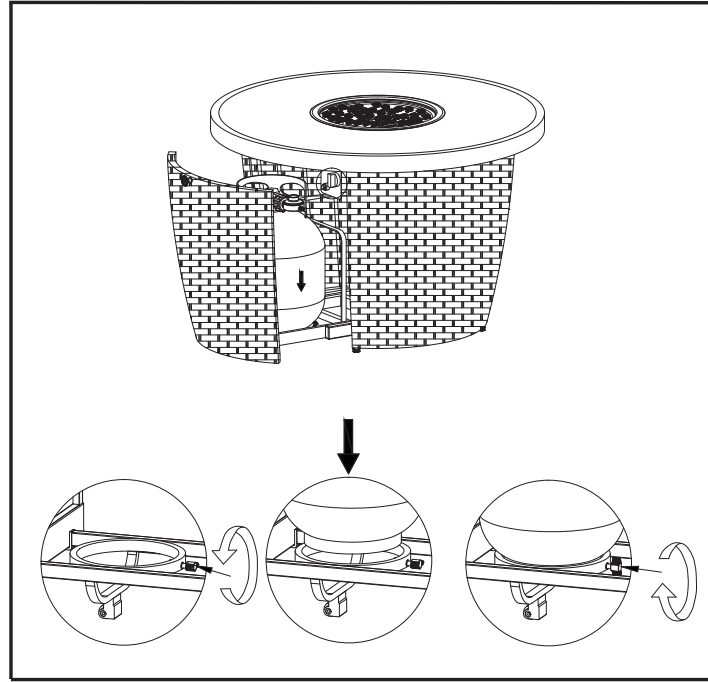
Étape 3



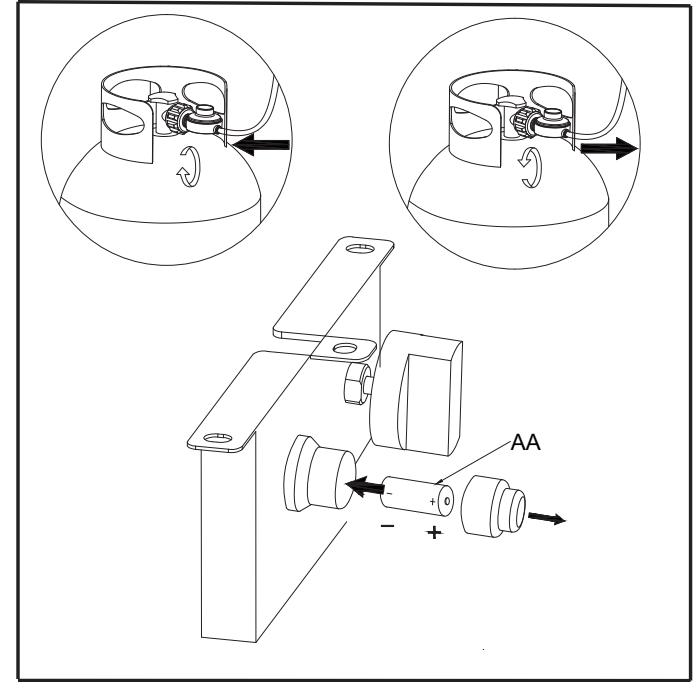
Étape 4



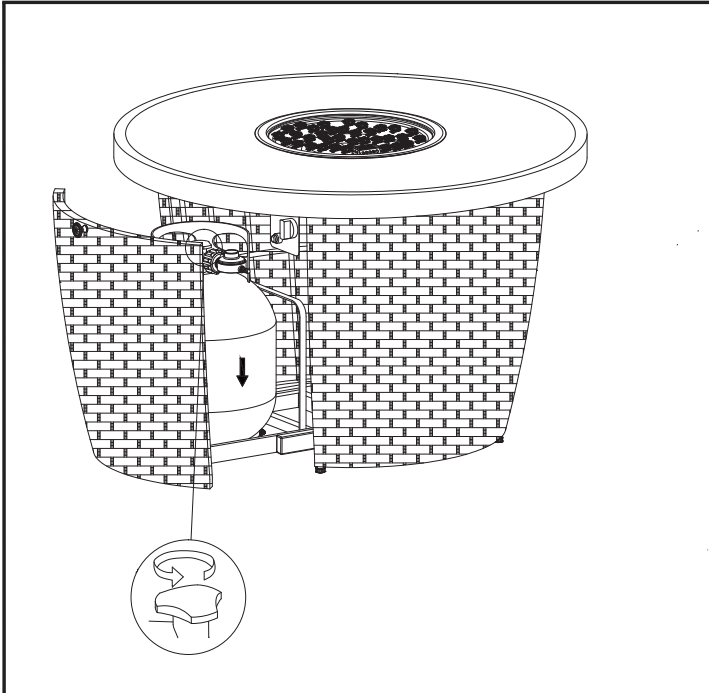
Étape 5



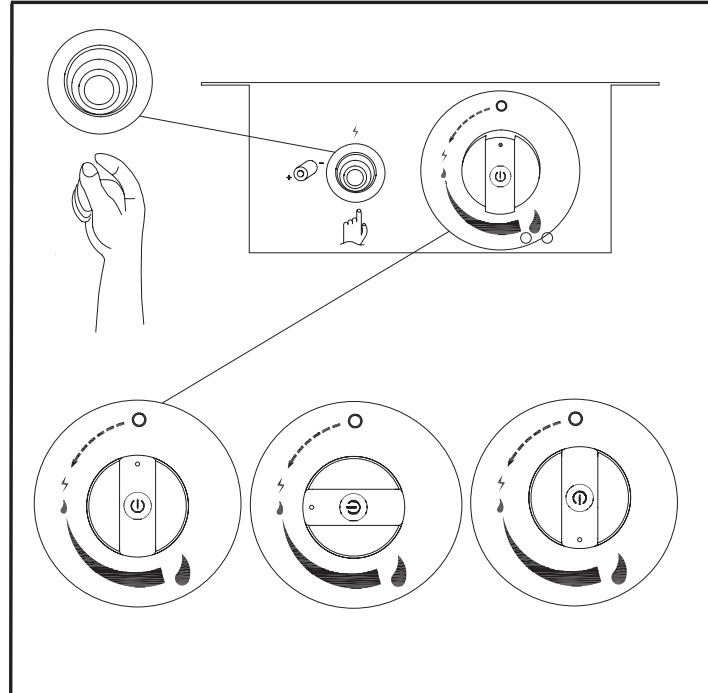
Étape 6



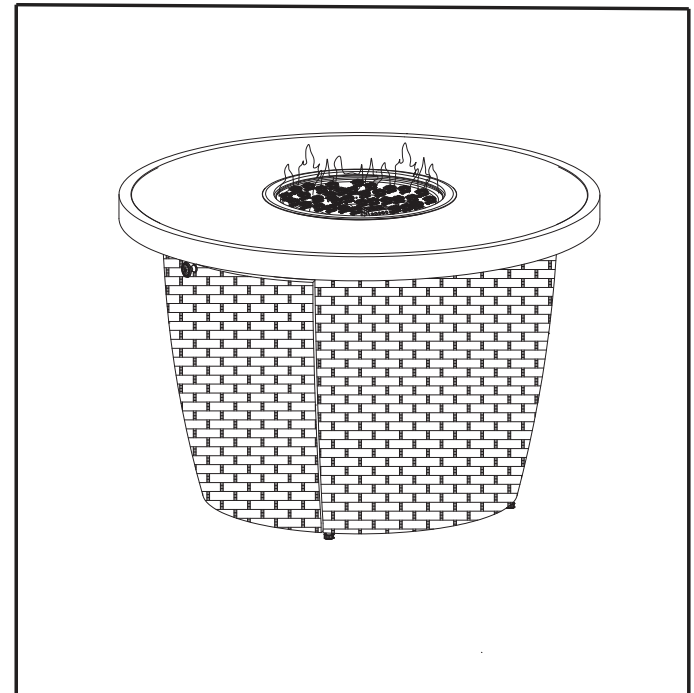
Étape 7

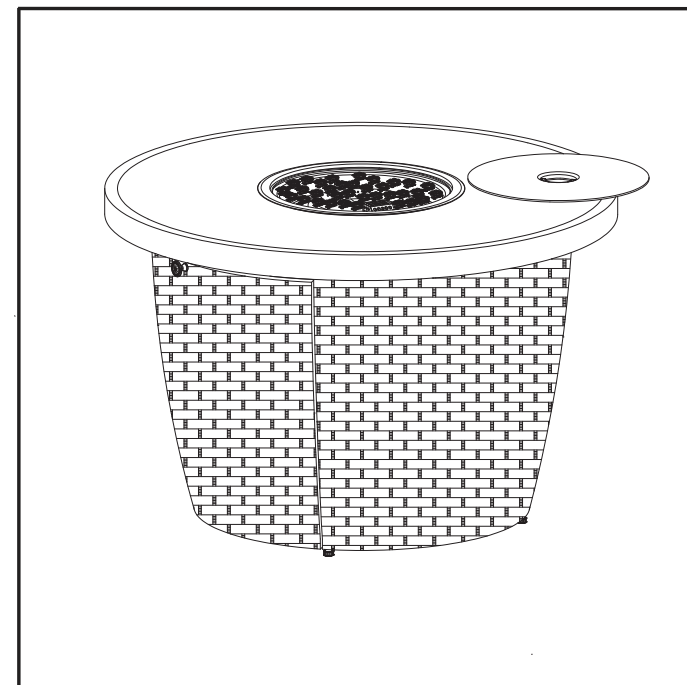
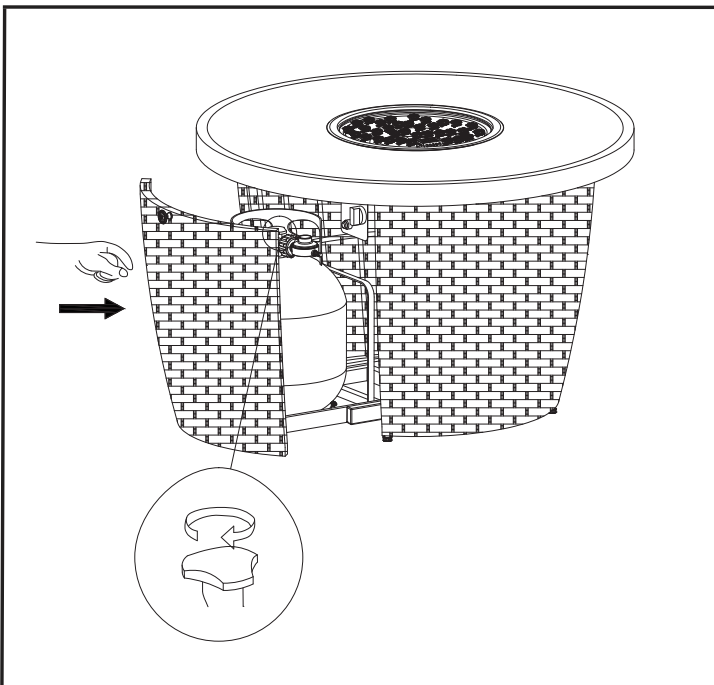
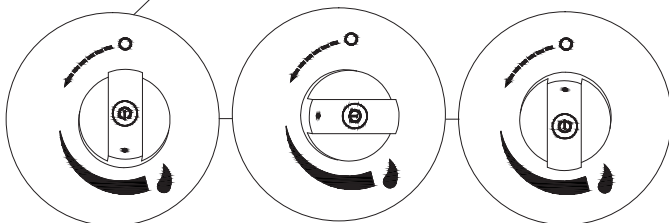
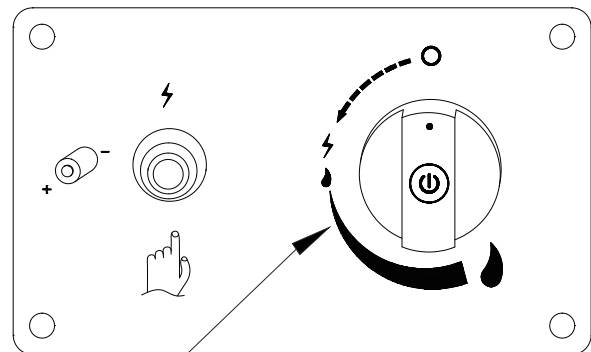


Étape 8



Étape 9





ENTRETIEN ET NETTOYAGE

Entretien périodique du dessus de table en pierre

En usine, le dessus de table en pierre est recouvert d'un scellant qui le protège des taches et de l'humidité tout en préservant la couleur naturelle de la pierre. Pour une protection optimale, appliquer du scellant tous les six à douze mois, en prenant soin de bien nettoyer la surface au préalable. Le scellant est vendu dans la plupart des clubs-entrepôts et des quincailleries. Les napperons, les chemins de table et les sous-verres aident à prévenir les égratignures et les taches, et protègent la table de tout liquide renversé. Couvrir la table d'une housse pour meubles d'extérieur lorsqu'elle n'est pas utilisée.

Nettoyage du dessus de table en pierre

Le dessus de table en pierre ne demande pratiquement aucun entretien. Pour qu'il reste comme neuf, nettoyer régulièrement la poussière et la saleté avec de l'eau. Rincer le dessus occasionnellement pour en retirer les débris qui pourraient s'incruster, et ainsi prévenir les taches et la décoloration. Il est aussi possible de frotter le dessus de table avec une solution de savon doux et d'eau à l'aide d'une éponge ou d'un linge propre et doux. Le sécher immédiatement après le nettoyage pour prévenir la pénétration d'humidité et les taches d'eau. Essuyer immédiatement tout liquide renversé, car il pourrait pénétrer le scellant. Pour un nettoyage en profondeur, utiliser un nettoyant biodégradable à base d'eau; éviter les nettoyants à base d'ammoniac, qui peuvent abimer le scellant et possiblement endommager ou décolorer la pierre. Ne jamais utiliser de crème à récurer, de nettoyants abrasifs ou à base de vinaigre, ni de produits acides ou alcalins (p. ex. ammoniac, bicarbonate de soude ou borax).

Par temps froid

Par temps froid, il est recommandé de ranger le dessus de table en pierre dans un lieu sec ou de le couvrir d'une housse pour meubles d'extérieur appropriée. Placer la housse de sorte qu'elle ne touche pas le dessus de table, ce qui favorisera la circulation de l'air et l'évacuation de l'humidité. Si de la neige reste longtemps sur la table, l'humidité risque de pénétrer le scellant. Comme la pierre est poreuse, l'humidité pourrait y pénétrer et geler, ce qui ferait craquer la pierre. Pour une meilleure protection, réappliquer du scellant sur le dessus de table avant chaque hiver.

Par temps chaud

Comme la pierre est poreuse, elle peut retenir la chaleur. Manipuler le dessus de table en pierre avec précaution s'il est resté longtemps au soleil. Il est recommandé d'utiliser ce produit à l'ombre.

Structure et tissu

- Nettoyer à la main avec un savon doux et rincer à fond. Sécher avec un linge doux.
- Ne pas utiliser de nettoyants abrasifs ni frotter trop vigoureusement, car cela pourrait abimer la surface.

Manuel d'utilisation – Table braséro

Installateur : Laisser ce manuel avec l'appareil.
Client : Conserver ce manuel pour consultation ultérieure.

AVERTISSEMENT



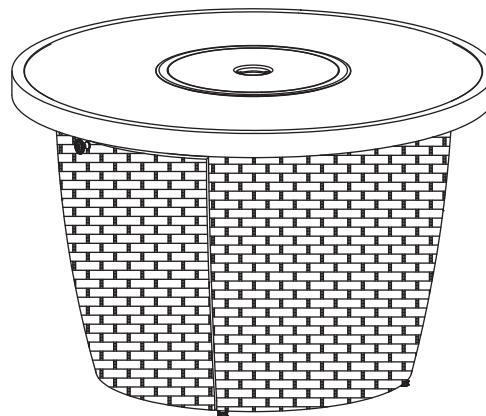
**CHAUD! NE PAS TOUCHER.
PEUT ENTRAÎNER DE GRAVES
BRÛLURES; LES VÊTEMENTS
POURRAIENT PRENDRE FEU.**

Pendant l'utilisation, la vitre et les autres surfaces sont chaudes; elles refroidissent par la suite.

- Surveiller les jeunes enfants lorsqu'ils sont près de la table brasero.
- Les enfants comme les adultes doivent être conscients du danger que représentent les surfaces très chaudes et se tenir à l'écart pour éviter de se brûler ou de brûler leurs vêtements.
- Ne pas accrocher de vêtements ni de matières inflammables à la table braséro, ni en placer sur celle-ci ou à proximité.

ATTENTION : Chaud lorsqu'allumé. Ne pas toucher.
Garder la zone du bruleur propre.

AVERTISSEMENT : Pour utilisation à l'extérieur seulement.
L'installation et les réparations doivent être effectuées par un installateur qualifié, une agence de service ou le fournisseur de gaz.



DANGER

S'il y a une odeur de gaz :
Coupez l'admission de gaz de l'appareil.
Éteindre toute flamme nue.
Si l'odeur persiste, éloignez-vous de l'appareil et appelez immédiatement le fournisseur de gaz ou le service d'incendie.

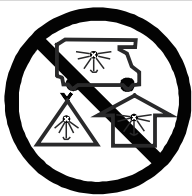
AVERTISSEMENT

Ne pas entreposer ni utiliser de l'essence ni d'autres vapeurs ou liquides inflammables dans le voisinage de l'appareil, ni de tout autre appareil. «Une bouteille de propane qui n'est pas raccordée en vue de son utilisation, ne doit pas être entreposée dans le voisinage de cet appareil ou de tout autre appareil.

AVERTISSEMENT

- Proposition 65 de la Californie : Les effluents de combustion générés par l'utilisation de cet appareil contiennent des produits chimiques considérés par l'État de la Californie comme pouvant causer le cancer, des anomalies congénitales et d'autres problèmes reproductifs.
- Se laver les mains après l'utilisation.
- La manipulation des parties en laiton de ce produit vous expose au plomb, considéré par l'État de la Californie comme pouvant causer le cancer, des anomalies congénitales et d'autres problèmes reproductifs.

DANGER



MONOXYDE DE CARBONE

Cette appareil peut produire du monoxyde de carbone, un gaz inodore.

L'utilisation de cet appareil dans des espaces clos peut entraîner la mort.

Ne jamais utiliser cet appareil dans un espace clos comme un véhicule de camping, une tente, une automobile ou une maison.

AVERTISSEMENT : Si le manuel n'est pas suivi à la lettre, un incendie ou une explosion pourrait survenir et potentiellement entraîner des dommages matériels, des blessures ou la mort.

ATTENTION



NE PAS JETER CE MANUEL

- D'importantes instructions d'utilisation et d'entretien y figurent.
- Lire attentivement et suivre les instructions pour installer et utiliser le produit de façon sécuritaire.

AVERTISSEMENT

Une installation, un ajustement, une modification, une réparation ou un entretien inapproprié peuvent être la cause de blessures ou de dommages. Veuillez lire attentivement les instructions d'installation, d'utilisation et d'entretien avant d'installer ou de réparer ce matériel.

Manuel d'utilisation – Table braséro

Installateur : Laisser les instructions au client.

Client : Conserver les instructions pour consultation ultérieure.

Ce produit est un appareil décoratif au gaz destiné à un **USAGE EXTÉRIEUR SEULEMENT**. Ce n'est **PAS** un appareil de cuisson.

A. Précautions pour l'installation

Placer la table braséro à l'extérieur sur une surface plane et stable située près de la conduite d'alimentation en gaz ou de la bouteille de propane. **NE PAS** la placer à un endroit où elle pourrait se faire mouiller excessivement ou être submergée dans l'eau.

B. Outils et équipement requis

Avant de commencer l'installation, s'assurer d'avoir l'équipement et les outils suivants:

- Gants
- Lunettes de sécurité
- Clé

C. Inspection de l'appareil et des pièces

AVERTISSEMENT

Vérifier que l'appareil et les pièces sont en bon état. Les pièces endommagées pourraient compromettre la sécurité.

- NE PAS** installer de pièces endommagées, incomplètes ou de substitution. Signaler les pièces endommagées au détaillant.
- Retirer soigneusement tous les composants du bruleur de l'emballage.
- Lire toutes les instructions avant d'installer le produit, puis les suivre attentivement pour maximiser la sécurité et l'efficacité.

AVERTISSEMENT

Risque d'asphyxie

- Utiliser ce braséro au gaz à l'extérieur dans un endroit bien ventilé.
- Ne pas installer dans une structure fermée ou un endroit non aéré.

AVERTISSEMENT

Ne jamais laisser la table braséro sans surveillance.

Ne jamais s'asseoir sur la table braséro.
Ne jamais se servir de la table braséro comme meuble de rangement.

AVERTISSEMENT

La garantie sera annulée si :

- une pièce endommagée est installée ou utilisée.
- le bruleur est modifié;
- l'installation diffère des instructions du fabricant.

De telles situations peuvent entraîner des risques d'incendie.



AVERTISSEMENT



NE PAS utiliser l'appareil si une pièce quelconque a été immergée. Faire examiner le produit par un technicien qualifié et faire remplacer toute pièce des systèmes de contrôle qui aurait été immergée. Ne pas brûler de combustible solide dans ce braséro.

AVERTISSEMENT

1. Les billes de verre peuvent être tranchantes. Pour les manipuler, porter des gants et des lunettes de sécurité.
2. Étaler les billes de verre uniformément sur toute la zone du bruleur (sauf sur la grille, le cas échéant). Elles devraient être de 1,2 à 2,5 cm au-dessus du bruleur.
3. Se tenir loin de la table pour les 20 premières minutes suivant le premier allumage; des billes de verre pourraient être projetées et causer des blessures. Jeter les billes projetées.



AVERTISSEMENT CONCERNANT LES PILES : Ne pas jeter de piles directement aux ordures ou dans un feu.

Raccordement du gaz et renseignements

A. Combustible

Avant de raccorder le gaz, s'assurer que l'appareil est compatible avec ce dernier.

B. Pression du gaz

Pour un fonctionnement optimal, la pression doit être adéquate. La taille de la conduite d'alimentation en gaz doit répondre aux exigences de la norme NFPA54.

N.B. : Une soupape d'arrêt homologuée par la CSA (et approuvée par l'État du Massachusetts) de 3/8 po avec poignée en T et un raccord flexible sont raccordés à l'entrée de 3/8 po de la vanne de régulation. Avant de remplacer ces pièces, consulter les codes applicables. La conduite d'alimentation en gaz se raccorde au connecteur de 3/8 po de la soupape d'arrêt.

La conduite d'alimentation en gaz se raccorde au connecteur de 3/8 po de la soupape d'arrêt.

AVERTISSEMENT

Risque d'incendie
Risque d'explosion

Vérifier la pression de l'entrée

- Une pression trop élevée peut entraîner une surcombustion.
- Une pression trop basse peut causer une explosion.
- Vérifier la pression lorsque d'autres appareils raccordés à la même source sont en marche.

Installer un régulateur en amont de l'obturateur si la pression dans la conduite est de plus de 0,50 psi.

AVERTISSEMENT

Risque d'incendie
Risque d'explosion

- Le gaz accumulé pendant la purge pourrait s'enflammer.
- La purge doit être effectuée par un technicien qualifié.
- Veiller à ce que la ventilation soit suffisante.
- Veiller à ce qu'il n'y ait aucune source d'inflammation à proximité, comme des étincelles ou des flammes nues.

AVERTISSEMENT

VÉRIFICATION DES FUITES DE GAZ

Risque d'incendie
Risque d'explosion
Risque d'asphyxie

- Vérifier tous les raccords.
- Ne pas utiliser de flamme nue.
- Après l'installation de l'alimentation en gaz, resserrer tous les raccords et vérifier qu'il n'y a aucune fuite à l'aide d'une solution de détection des fuites vendue sur le marché. Bien rincer toute la solution après la vérification.

Les raccords peuvent s'être desserrés pendant le transport.

Les exigences de pression de l'appareil sont indiquées dans le tableau ci-dessous. La pression ne doit pas descendre sous la limite inférieure lorsque d'autres appareils à gaz sont en marche.

Pression	Gaz naturel	Propane
Pression d'entrée minimale	0,25 psi	0,40 psi
Pression d'entrée maximale	0,38 psi.	0,50 psi

Déconnecter l'appareil et sa soupape d'arrêt de la conduite d'alimentation en gaz si la pression dépasse la limite de 0,50 psi (3,5 kPa). Si, pendant un test de la pression de la conduite d'alimentation en gaz, la pression baisse à 0,50 psi (3,5 kPa) ou moins, déconnecter l'appareil de la conduite d'alimentation en gaz en fermant sa soupape d'arrêt.

C. Raccordement du gaz

N.B. : L'alimentation en gaz doit être installée conformément aux codes du bâtiment locaux, le cas échéant. Sinon, suivre la norme ANSI 223.1. L'installation doit être effectuée par un installateur qualifié approuvé ou certifié localement. À noter qu'au Massachusetts, l'installation doit être effectuée par un plombier ou un ajusteur d'appareil à gaz certifié.

- Une petite quantité d'air se trouvera dans la conduite d'alimentation en gaz. Au premier allumage, il prendra quelques instants à s'évacuer des conduites. Toujours appuyer sur le bouton d'allumage et le maintenir enfoncé AVANT de mettre le bouton de contrôle en position MARCHE.



AVERTISSEMENT

L'installation et les réparations doivent être faites par un technicien qualifié. L'appareil doit être inspecté avant l'utilisation et au moins une fois par année par un technicien qualifié, et peut-être nettoyé à des intervalles plus rapprochés. Il est primordial que le boîtier de contrôle, le brûleur et les voies de circulation d'air restent propres.

- * Ne pas utiliser la table braséro comme appareil de cuisson.
- * Ne brûler que le combustible fourni et destiné à la table braséro.
- * Ne pas verser d'eau dans le brûleur.
- * Installer le produit conformément aux codes applicables.
- * Ne pas utiliser la table braséro si une pièce quelconque a été immergée.
- * Ne pas entreposer de bouteille de propane de rechange ou non raccordée en dessous ou à proximité de la table braséro.
- * Si la table braséro au propane a été entreposée ou est restée inutilisée pendant un certain temps, vérifier qu'il n'y a aucune fuite de gaz et que le brûleur n'est pas obstrué avant de l'utiliser.
- * Ne pas allumer le brûleur au propane s'il y a une fuite de gaz.
- * Ne jamais utiliser une flamme nue pour vérifier s'il y a des fuites.
- * Aucune matière combustible ne doit se trouver à moins de 20 m (65 pi) du dessus ou à moins de 15 m (48 pi) de l'arrière ou des côtés de la table braséro.
- * Ne pas poser de couvercle autre que celui de l'appareil ni d'objet inflammable sur ou sous la table braséro.
- * Ne jamais laisser un enfant utiliser la table braséro au propane. Surveiller les enfants lorsqu'ils se trouvent à proximité de l'appareil.
- * Les utilisateurs doivent être conscients du danger que représentent les surfaces très chaudes et se tenir à une distance sécuritaire pour éviter de se brûler ou de brûler leurs vêtements.
- * Faire attention en utilisant la table braséro. Lorsqu'elle est en marche, elle est très chaude et ne devrait jamais être laissée sans surveillance ni déplacée.
- * Si le feu s'éteint par lui-même, fermer la soupape de l'alimentation en gaz. Suivre les instructions et attendre cinq minutes avant de le rallumer.
- * Ne jamais brûler de charbon ou tout autre combustible solide dans l'appareil, ni placer des vêtements ou des matières inflammables dessus ou à proximité.
- * Ne jamais se pencher au-dessus du brûleur ouvert ou placer la main ou les doigts sur la partie supérieure de l'appareil allumé.
- * S'assurer que les ouvertures du système de ventilation du boîtier cylindrique (TRONC DE LA TABLE BRASÉRO) sont exemptes de débris.
- * Ne pas appuyer les pieds sur la table braséro.
- * Retirer la pile si la table braséro ne sert pas pendant une longue période.
- * Pendant le nettoyage de la soupape d'arrêt ou du brûleur, ne pas en agrandir les orifices. La conduite d'alimentation en gaz doit pouvoir évacuer les vapeurs.
- * La bouteille de propane utilisée doit comporter un collet protégeant la soupape d'arrêt.
- * Ne jamais remplir la bouteille à plus de 80%.
- * Le propane et le gaz naturel sont deux combustibles distincts. Avec cette table braséro, n'utiliser que le propane.
- * Il est dangereux de convertir au gaz naturel un appareil qui s'alimente au propane ou de tenter d'utiliser du gaz naturel dans celui-ci, et vice versa.
- * Ne pas utiliser la table braséro dans un véhicule ou sur un bateau. Toujours l'utiliser sur une surface plane à l'extérieur.
- * Tenir les cordons d'alimentation électrique et la conduite de gaz loin des surfaces chaudes.
- * Ne pas utiliser la table braséro si des pièces ne sont pas installées.
- * Tenir loin de l'appareil les matières combustibles, l'essence et les autres liquides et sources de vapeur inflammables.
- * Inspecter la conduite de gaz avant chaque utilisation.
- * Si la conduite est endommagée ou présente des signes d'abrasion ou d'usure excessive, la remplacer avant la prochaine utilisation.
- * Ne pas placer la conduite dans un endroit passant où les gens pourraient trébucher dessus ou l'endommager accidentellement.
- * S'il est évident que le brûleur est endommagé, il faut le remplacer avant d'utiliser l'appareil.

La bouteille de propane utilisée doit :

- 1) avoir été fabriquée et identifiée conformément aux exigences du département des Transports (D.O.T.) des États-Unis sur les bouteilles de propane, ou de la norme CSA B339, « Bouteilles à gaz cylindriques et sphériques et tubes pour le transport des marchandises dangereuses », selon le cas;
- 2) être fournie avec un dispositif homologué qui prévient le surremplissage;
- 3) comporter un dispositif de branchement compatible avec le raccord de la table braséro.

Dépannage

	Problème	Causes possibles	Solutions
1.	Le feu ne s'allume pas	A. La bouteille de propane est vide ou l'alimentation en gaz naturel n'est pas ouverte.	Vérifier le niveau de propane de la bouteille ou la soupape de l'alimentation en gaz naturel.
		B. L'orifice du brûleur est bloqué.	Vérifier si le brûleur est bloqué. Le cas échéant, le débloquent.
		C. La pile doit être changée.	Vérifier s'il y a un déclic lorsque le bouton d'allumage est pressé. S'il n'y a pas de déclic audible, vérifier que la pile est bien installée en insérant sa borne négative en premier dans le compartiment. Si l'appareil ne fonctionne toujours pas, remplacer la pile par une pile AAA de 1,5 V neuve. Si le problème persiste, il faudra peut-être nettoyer ou remplacer l'appareil. Pour obtenir de l'aide, appeler notre service à la clientèle au 1 888 690 9800 (États-Unis).
2.	Les flammes sont faibles ou ne restent pas allumées.	A. La soupape d'arrêt (contrôlée par le bouton marche/arrêt) est ouverte ou n'est pas installée entre la bouteille de gaz et l'appareil.	Fermer la bouteille et la soupape d'arrêt. Ouvrir la bouteille d'abord, puis la soupape.
3.	Les flammes sont bleues.	A. La situation est normale; les flammes jauniront après 16 à 20 minutes d'utilisation.	Ne rien faire.
		B. Le mélange d'air et de gaz est incorrect en raison de la position de l'obturateur d'air.	Fermer l'obturateur d'air (laisser une ouverture de 1/4 po pour les bouteilles de propane et de 1/16 po pour l'alimentation en gaz naturel).
4.	Un bruit métallique se fait entendre.	A. Le bruit est causé par l'expansion et la contraction du métal lorsqu'il se réchauffe ou se refroidit, un peu comme le son produit par un calorifère ou des conduits de chauffage. Ce bruit ne nuit aucunement au fonctionnement ou à la longévité de l'appareil.	Ne rien faire.
5.	Les billes décoratives craquent ou se fendent.	A. La chaleur est trop élevée, ou la température a changé brusquement.	En raison des propriétés du verre, cela peut se produire à l'occasion. Ne rien faire, la situation est complètement normale.

Tâches d'entretien et de réparation

Élément	Inspection
Brûleur	1. Retirer les billes décoratives en verre, puis examiner le brûleur. Aspirer ou essuyer les résidus au besoin. Faire preuve de prudence en nettoyant ces pièces.
	2. Vérifier si les pièces sont déformées ou corrodées. Réparer au besoin.
	3. Inspecter la conduite raccordée à la bouteille de propane. La remplacer si elle est endommagée.
	4. S'assurer que l'obturateur d'air est propre.
Allumage et fonctionnement du brûleur	1. Vérifier que tous les raccords sont bien vissés et qu'il n'y a pas de fuites.
	2. Nettoyer le dessus du brûleur. Vérifier que les orifices ne sont pas obstrués et qu'il n'y a pas de corrosion ni de détérioration. Remplacer le brûleur au besoin.
	3. Vérifier s'il y a des problèmes avec les flammes.
	4. S'assurer que l'obturateur d'air est exempt de poussières ou de débris, et qu'il est dans la bonne position pour le type de gaz utilisé.
	5. Vérifier s'il y a de la suie, de la saleté ou de la corrosion dans ou sur les orifices.
	6. Vérifier la pression du manifold et de l'entrée. Ajuster le régulateur au besoin.
Conduite de gaz et régulateur	1. La conduite de gaz et le régulateur fournis avec l'appareil doivent être utilisés dans les installations avec bouteille de propane. Utiliser des pièces de remplacement spécifiées par le fabricant.

Avant de retourner chez le détaillant, appeler notre service à la clientèle au 1 888 690-9800, en semaine, entre 8 h 30 et 17 h (heure du Pacifique) ou entre 11 h 30 et 20 h (heure de l'Est), ou écrire à cs@sunvillahome.com. Service en anglais et en espagnol.



Avant l'entreposage

1. Fermer l'alimentation de la bouteille de propane.
 2. Tourner le bouton marche/arrêt en position ARRÊT. N.B. : Il est normal que le gaz restant émette un son en brulant.
 3. Débrancher la bouteille de propane en suivant les indications de la section à ce sujet.
 4. Nettoyer toutes les surfaces.
- ⚠ATTENTION : Ne JAMAIS placer de housse sur un appareil chaud.**
5. Enduire le brûleur d'une mince couche d'huile de cuisson pour éviter qu'il ne rouille.
 6. Pour l'entreposage à l'intérieur, couvrir l'appareil d'une housse et le ranger dans un endroit sec et frais, loin des enfants et des animaux.
 7. Pour l'entreposage à l'extérieur, couvrir l'appareil avec la housse fournie pour le des intempéries.


Montage de la structure et dégagements

Note:

- Ces illustrations montrent des installations types et ne sont fournies QU'À DES FINS DE CONCEPTION SEULEMENT.
- Les illustrations et les diagrammes ne sont pas à l'échelle.
- L'installation réelle peut varier en raison des préférences individuelles.

 **AVERTISSEMENT** 

Risque d'incendie

 Laisser un dégagement suffisant

- aux ouvertures.
- pour l'entretien.

Placer l'appareil à l'écart des zones passantes.

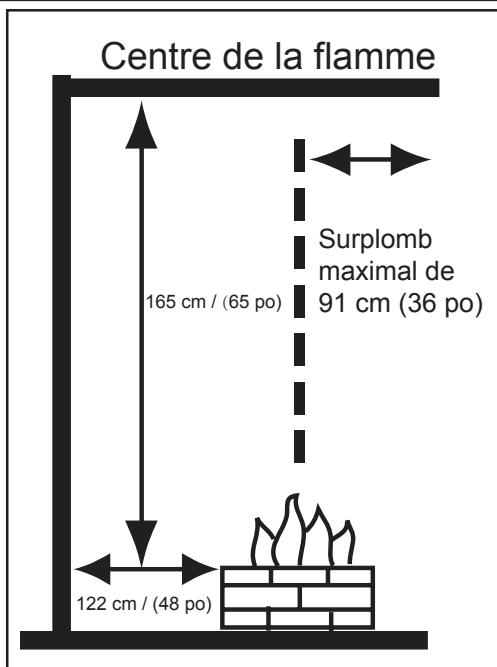
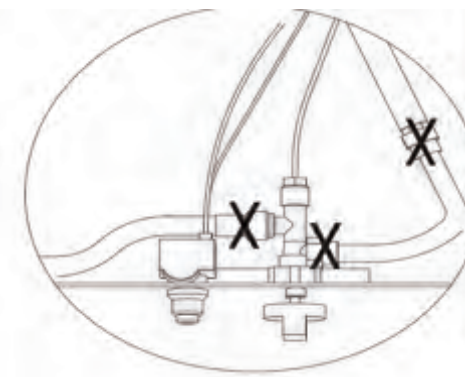
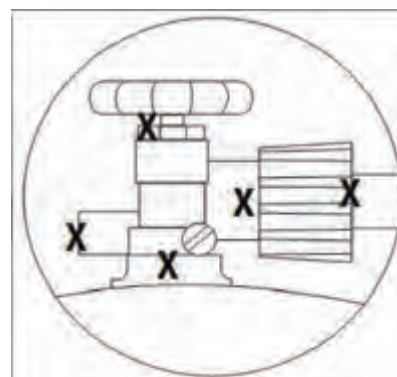


Figure 1 – Combustibles : distances minimales.

Raccord de la conduite de gaz ou de la bouteille

1. Préparez une solution de détection des fuites de 60 à 90 ml (2-3 oz) – une part de savon à vaisselle liquide et trois parts d'eau.
2. Assurez-vous que les boutons de commande sont en position « OFF » (arrêt) (figure 3).
3. Raccordez la bouteille de GPL selon les instructions à la section « Installation de la bouteille de GPL ».
4. Tournez le robinet de la bouteille de GPL à la position « OPEN » (ouvert).
5. À l'aide d'une cuillère ou d'un flacon pulvérisateur, déposez quelques gouttes de solution aux endroits indiqués par un « X » (figures 1 et 2).
 - a. Si des bulles se forment, tournez le robinet de la bouteille de GPL à la position « CLOSED » (fermé), rebranchez cette dernière et refaites l'essai.
 - b. Si des bulles se forment toujours après plusieurs essais, tournez le robinet de la bouteille de GPL à la position « CLOSED » (fermé) et débranchez-la selon les instructions à la section « Débranchement de la bouteille de GPL ». Composez le 1 866 292-8800 pour obtenir de l'aide.
 - c. Si aucune bulle ne se forme après une minute, tournez le robinet de la bouteille de GPL à la position « CLOSED » (fermé), essuyez la solution et poursuivez.



APPAREILS AU PROPANE

- * Ne pas tenter de débrancher le régulateur de pression ou le raccordement de gaz pendant que l'appareil est allumé.
- * Une bouteille de propane bosselée ou rouillée peut constituer un danger et doit être inspectée par le fournisseur de gaz avant l'utilisation.
- * Ne pas utiliser une bouteille de propane comportant une soupape endommagée ou des pièces usées.
- * Transporter et entreposer les bouteilles de gaz vides avec précaution et selon les normes en vigueur.
- * En cas de fuite visible ou de signes de fuite (sifflement, odeur) :
 1. fermer l'alimentation et s'éloigner immédiatement de la bouteille et de la table braséro;
 2. ne pas tenter pas de régler le problème soi-même;
 3. appeler le fournisseur de gaz ou les pompiers.



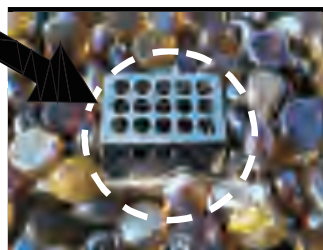
AVERTISSEMENT



Cette grille doit être dégagée en tout temps pour que l'appareil fonctionne correctement.

Grille

NE PAS PLACER DE BILLES DE VERRE SUR LA GRILLE. ELLE DOIT DEMEURER DÉGAGÉE.



UTILISATION

ATTENTION : Les enfants comme les adultes doivent être conscients du danger que représentent les surfaces très chaudes et se tenir à l'écart pour éviter de se brûler ou de brûler leurs vêtements. Surveiller les jeunes enfants lorsqu'ils sont près de l'appareil.

AVERTISSEMENT : Ne pas utiliser le produit si une pièce quelconque a été immergée. Appeler immédiatement un technicien qualifié, qui examinera l'appareil et remplacera toute pièce des systèmes de contrôle qui aurait été immergée.

AVERTISSEMENTS DE SÉCURITÉ

1. Ne jamais laisser la table braséro sans surveillance lorsqu'elle est en marche.
2. Ne pas placer de vêtements ni de matières inflammables sur l'appareil ou à proximité.
3. Tout dispositif de protection enlevé aux fins d'entretien de l'appareil doit être remplacé avant la prochaine utilisation.
4. L'installation et les réparations doivent être faites par un technicien qualifié. L'appareil doit être inspecté avant l'utilisation et au moins une fois par année par un technicien qualifié. Il peut être nécessaire de nettoyer l'appareil à des intervalles plus rapprochés. Il est primordial que le boîtier de contrôle, le brûleur et les voies de circulation d'air restent propres.
5. Inspecter le raccordement de la conduite d'alimentation en combustible avant chaque utilisation de l'appareil.
6. Il est permis d'entreposer temporairement l'appareil à l'intérieur seulement s'il a été débranché de la conduite d'alimentation (gaz naturel ou propane).

AVERTISSEMENT

1. Cet appareil est très chaud lorsqu'il est en marche et peut donc causer de graves brûlures.
2. Ne pas brûler de combustible solide dans cet appareil.

Éclairage

- ▲ **AVERTISSEMENT :** N'allumez JAMAIS le brûleur lorsque le foyer extérieur est recouvert de la housse.
- ▲ **ATTENTION :** Gardez l'espace autour de l'appareil dégagé et libre de matières combustibles, d'essence et de tout autre liquide ou vapeur inflammable.
- ▲ **ATTENTION :** N'entravez PAS le flux d'air de combustion et de ventilation.
- ▲ **ATTENTION :** Vérifiez et nettoyez le brûleur et les tubes de venturi pour enlever les insectes et les nids d'insectes. Un tube bouché peut causer un incendie.



1. Assurez-vous que toutes les étiquettes, tous les matériaux d'emballage et toutes les pellicules protectrices ont été retirés du foyer extérieur.
2. Vérifiez que la circulation d'air du brûleur n'est pas entravée. Les araignées, les insectes et les toiles d'araignées peuvent boucher le tube du brûleur ou le tube de venturi. Un tube de brûleur bouché peut causer un incendie.
3. Le bouton de commande doit être à la position «  OFF » (arrêt) (figure 3).
4. Enlevez une petite partie des pierres en verre sur le couvercle de l'allumeur (figure 4).
5. Raccordez la bouteille de GPL selon les instructions à la section « Installation de la bouteille de GPL ».
6. Tournez le robinet de la bouteille de GPL à la position « OPEN » (ouvert).
7. Appuyez sur l'allumeur électronique et gardez-le enfoncé afin de produire des étincelles dans l'électrode; continuez à le maintenir enfoncé.
8. Enfoncez le bouton de commande et tournez-le jusqu'à la position « ON » (marche); continuez à le tenir enfoncé pour laisser le gaz s'écouler pendant 20 secondes.
9. Après 20 secondes, relâchez le bouton de commande et tournez-le dans le sens contraire des aiguilles d'une montre afin de régler la flamme à la hauteur désirée.
10. Si le brûleur ne s'allume pas après 20 secondes, tournez le bouton de commande du brûleur à la position « OFF » (arrêt), attendez 5 minutes, ventilez à l'aide d'un journal ou d'une revue, puis répétez les étapes d'allumage.
11. Retirez la housse et le couvercle du foyer extérieur avant l'allumage.
12. Si l'allumeur n'allume pas le brûleur :
 - a. En portant des gants résistants à la chaleur, placez une longue allumette allumée ou un long briquet au butane allumé près de l'avant-trou.
 - b. Enfoncez et tournez le bouton de commande jusqu'à la position « ON  » (marche).
 - c. Retirez l'allumette ou le briquet lorsque le brûleur est allumé.



Figure 1




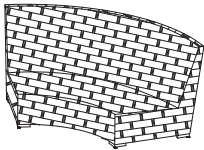
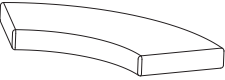
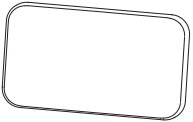

Figure 2

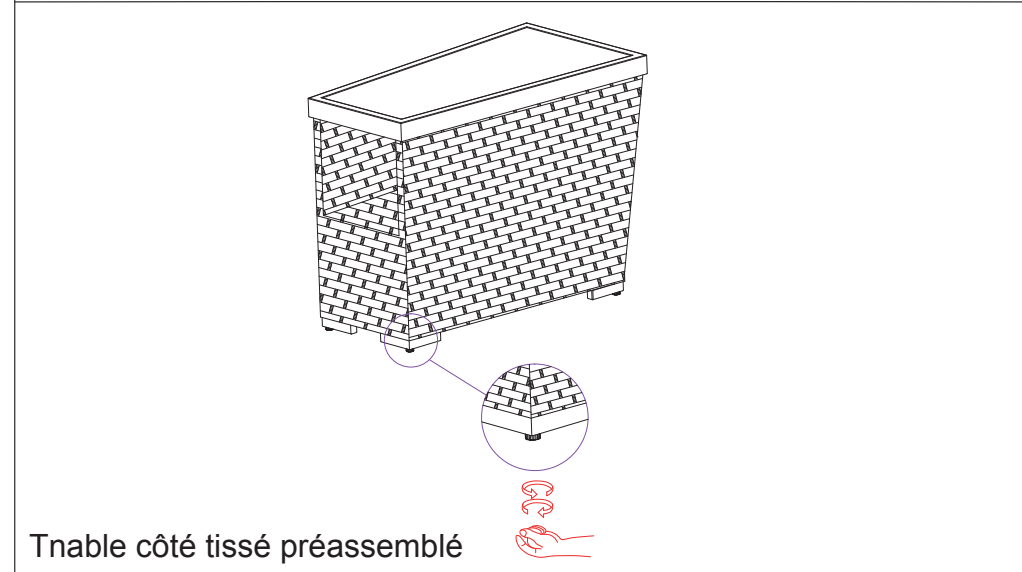
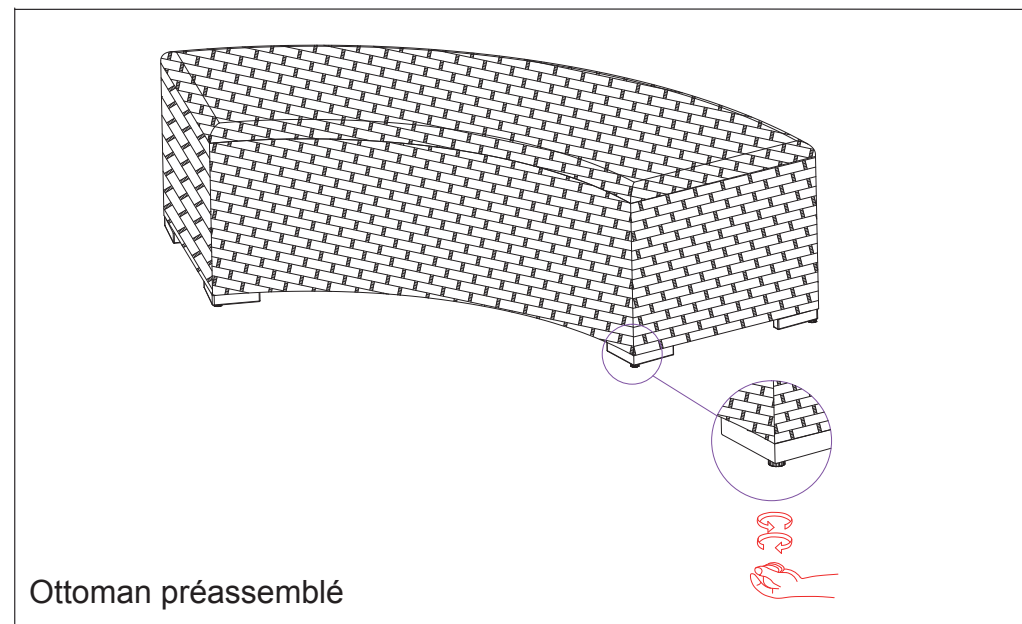
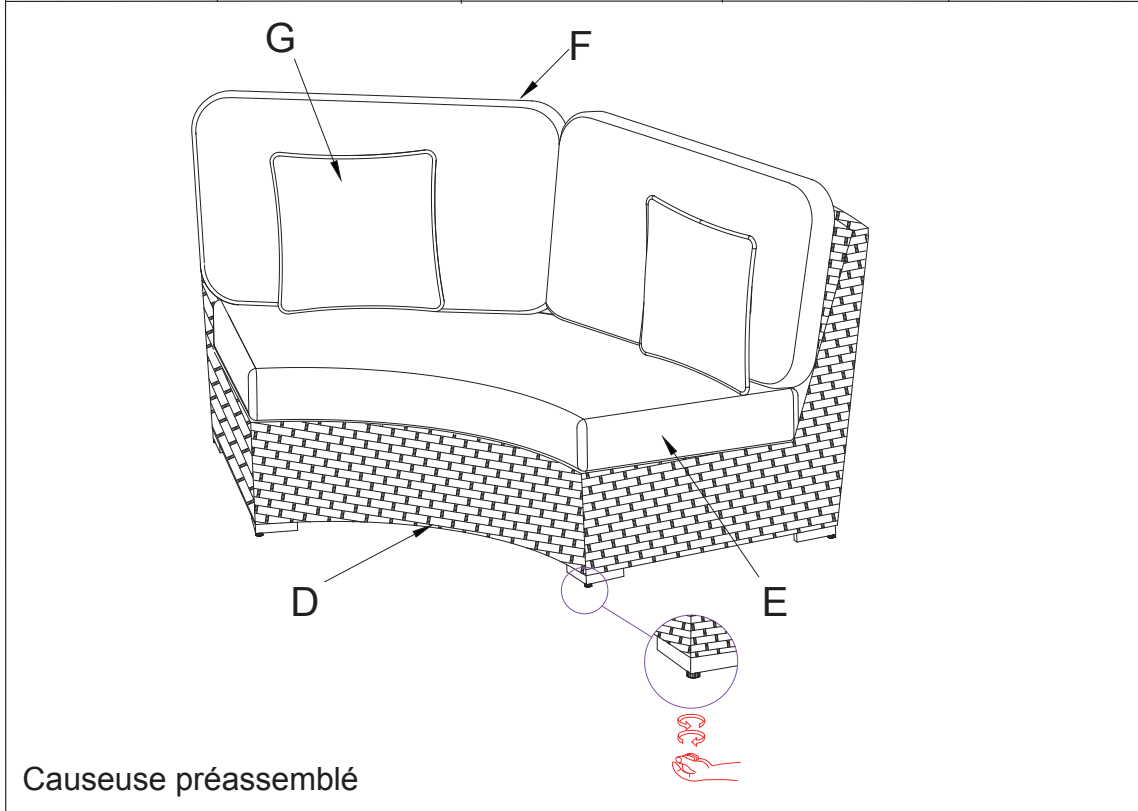


Figure 3

Arrêt

1. Tournez le robinet de la bouteille de GPL jusqu'à la position « CLOSED » (fermé).
2. Tournez le bouton de commande jusqu'à la position «  OFF » (arrêt). Remarque : Un son de « pouf » est normal, puisque le reste du GPL a été brûlé.
3. Débranchez la bouteille de GPL selon les instructions à la section « Débranchement de la bouteille de GPL ».

PIÈCE	D	E	F	G
IMAGE				
QTÉ	2	2	4	4



ENTRETIEN ET NETTOYAGE

Cadre des chaises

- Nettoyer à la main avec une solution de savon doux et d'eau, puis rincer à fond. Sécher avec un linge doux.
- Ne pas utiliser de nettoyeurs abrasifs ou frotter trop vigoureusement, car cela pourrait abîmer la surface.

Tissu des chaises

Les tissus Sunbrella® doivent être nettoyés régulièrement. Enlever la saleté avec une brosse et laver avec une solution de savon doux et d'eau tiède. Pour les taches tenaces et les moisissures, utiliser une solution de 236 ml (1 tasse) d'agent de blanchiment et de 59 ml (1/4 tasse) de savon doux dans 3,8 l (1 gallon) d'eau. Rincer abondamment pour enlever le savon. Laisser le tissu sécher à l'air. N.B. : Ne pas laver à la machine.

Sala seccional tejida de 5 piezas con chimenea

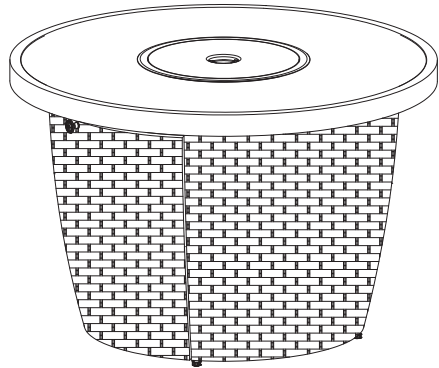
ITM. / ART. 1372978

INSTRUCCIONES DE ENSAMBLADO, USO Y CUIDADO

IMPORTANTE: CONSERVE PARA REFERENCIA FUTURA.

LEA CUIDADOSAMENTE ANTES

ESTE PRODUCTO ESTÁ DISEÑADO PARA USO COMERCIAL EN EXTERIORES.



PIEZA	A	B	C	AA
IMAGEN				
CANT	1	1	1	1

¿Preguntas, problemas o piezas faltantes? Antes de regresar el producto a la tienda, llame a nuestro departamento de Servicio al Cliente al **1-888-690-9800** o envíe un correo electrónico a cs@sunvillahome.com, de lunes a viernes, de 8:30 am a 5:00 pm, hora del Pacífico de E.U.A o de 11:30 am a 8:00 pm, hora del Este de E.U.A.. Inglés y español.

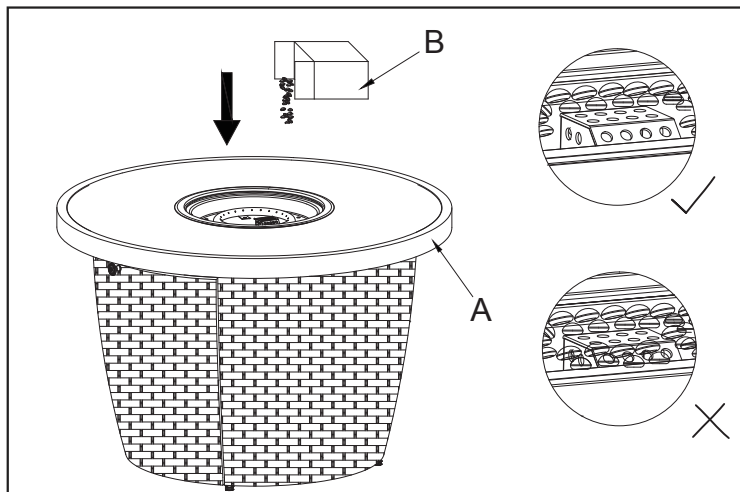
PREPARACIÓN

Antes de comenzar a ensamblar este producto, asegúrese que todas las piezas estén completas. Compare las piezas con el listado de contenido de piezas y de herramientas del empaque. No intente ensamblar el producto si faltase alguna pieza o si estuviera dañada. Si así fuera, no continúe y llame a nuestro centro de servicio al cliente.

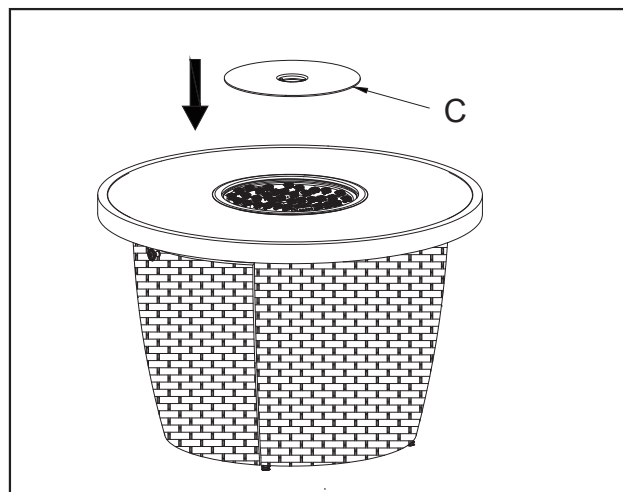
⚠ INFORMACIÓN DE SEGURIDAD

Por favor lea con atención este manual completo antes de ensamblar o instalar el producto. Los niños no deben participar en la operación, el ensamblaje, remoción o desmontaje del producto.

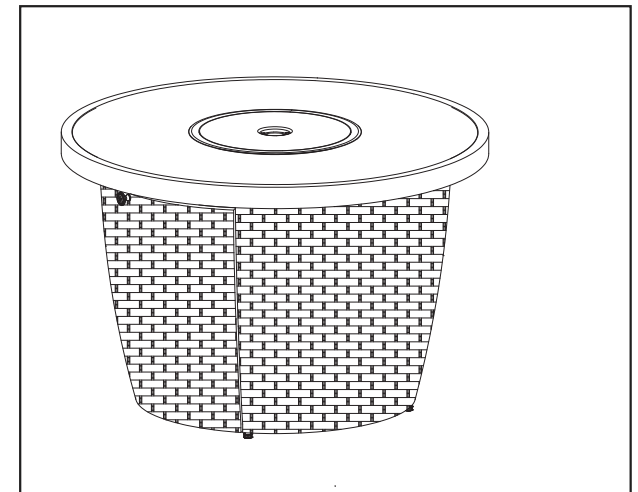
Paso # 1



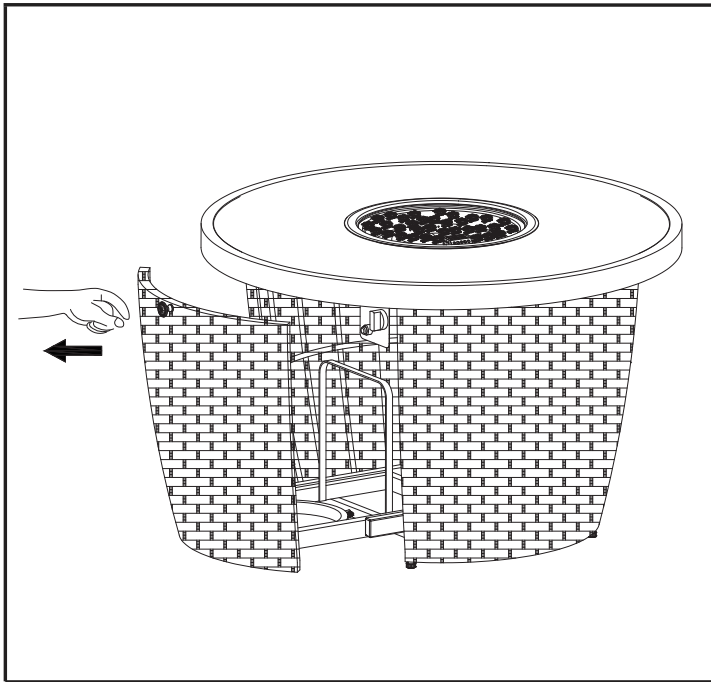
Paso # 2



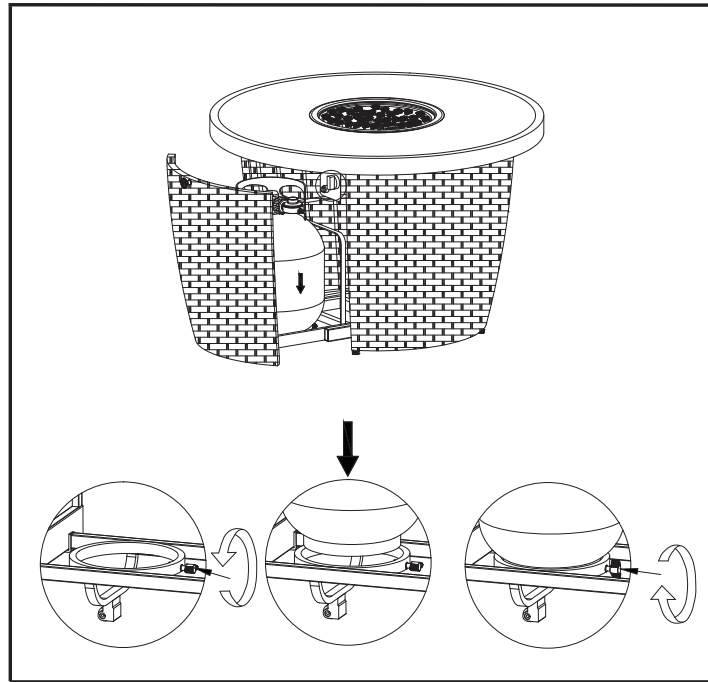
Paso # 3



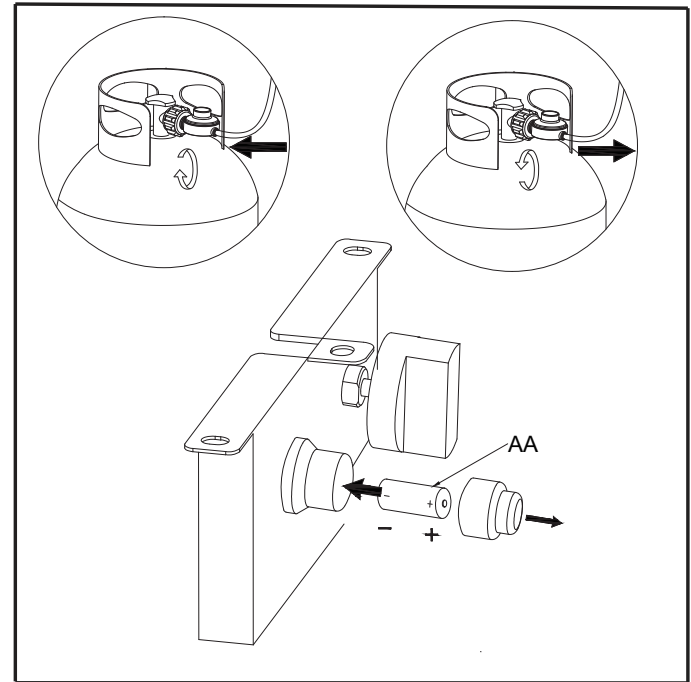
Paso # 4



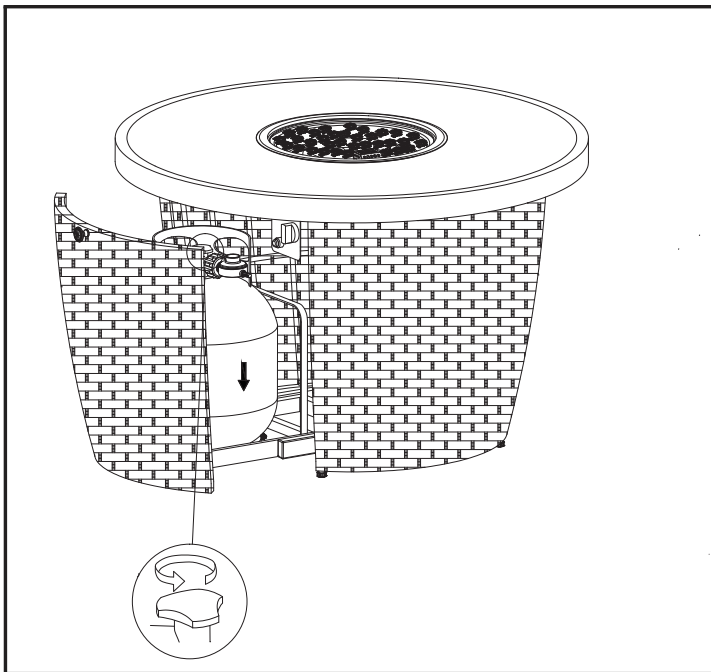
Paso # 5



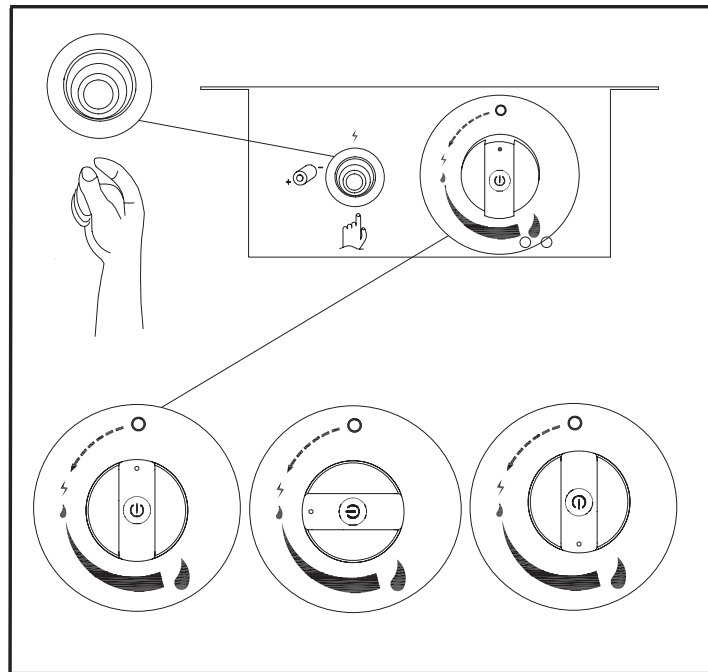
Paso # 6



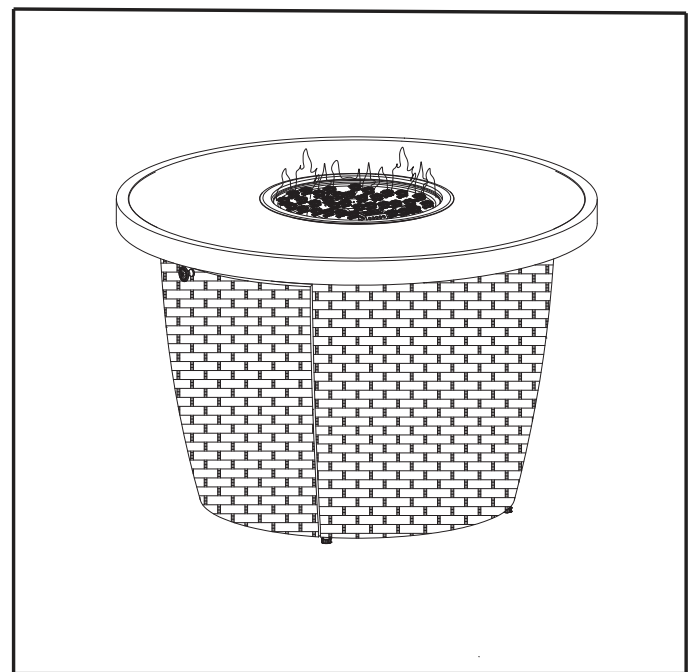
Paso # 7

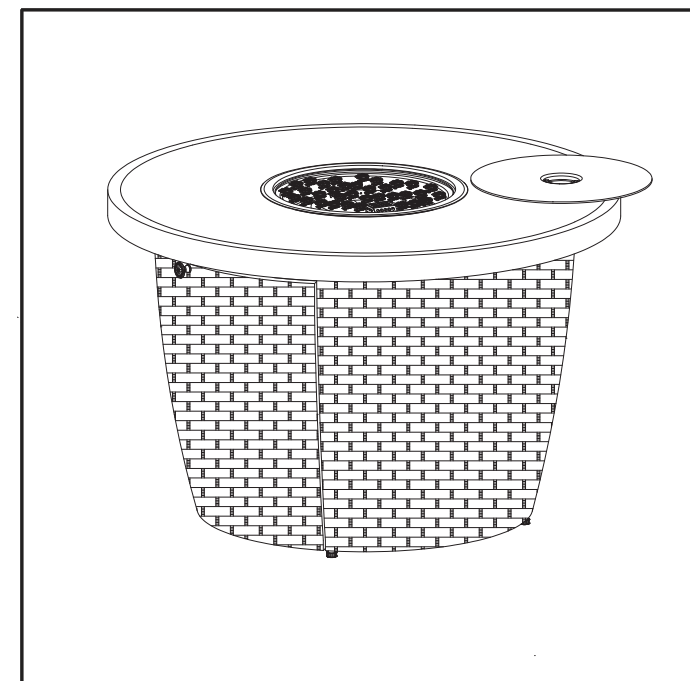
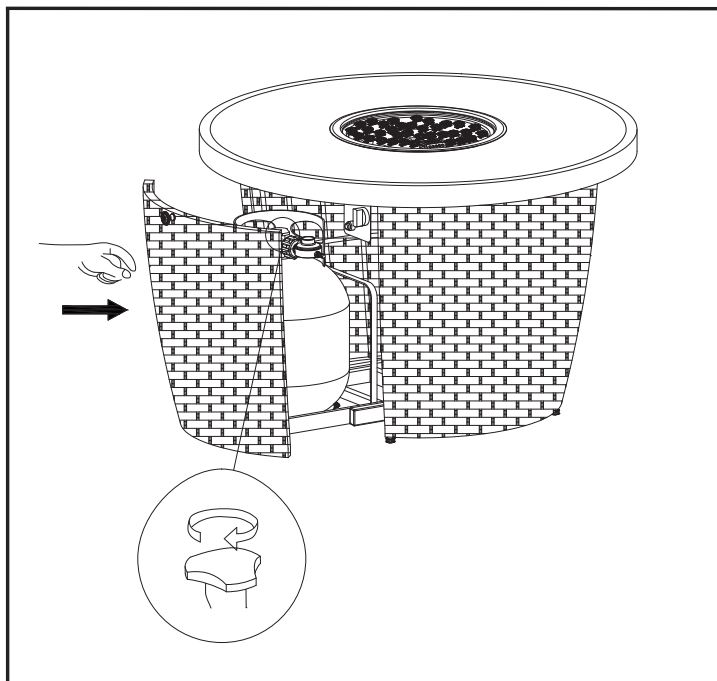
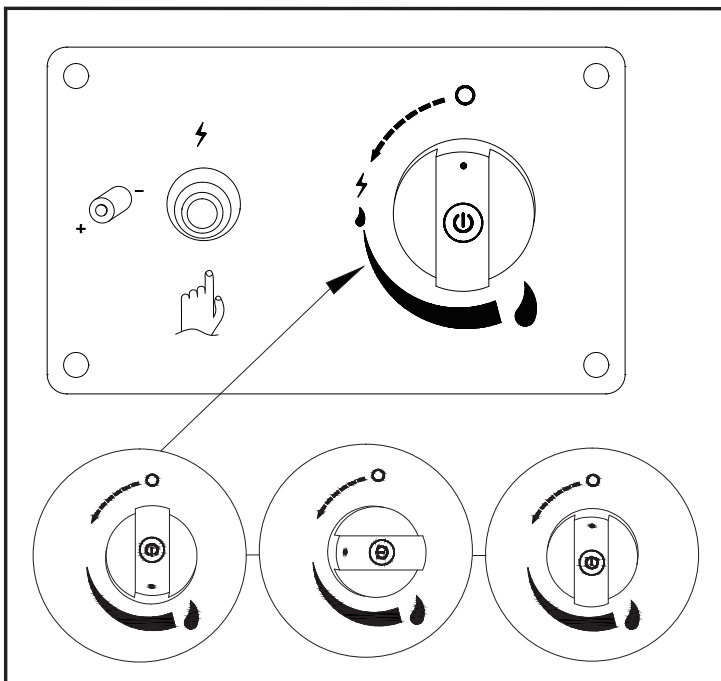


Paso # 8



Paso # 9





CUIDADO Y MANTENIMIENTO

Mantenimiento periódico para su mesa con superficie de piedra

Su mesa viene de fábrica con una cubierta con sellador protector para la superficie de piedra. El sellador proporciona resistencia a las manchas, la humedad y ayuda a mantener el color natural de la piedra. Para una protección óptima, las superficies de piedra se deberán de volver a sellar cada 6 a 12 meses después de que toda la suciedad y los residuos se hayan limpiado a fondo. El sellador de piedra está disponible en la mayoría de las ferreterías y tiendas especializadas. El uso de manteles individuales, caminos de mesa y portavasos lo protegerá de rayones, manchas y posibles derrames. Use una funda para muebles para exteriores y proteja el producto cuando no lo esté utilizando.

Limpiar la superficie de su mesa piedra

La mesa de piedra no requiere prácticamente ningún tipo de mantenimiento. Conserve su aspecto nuevo limpiando con agua periódicamente para eliminar el polvo y la suciedad. Enjuague la encimera, de forma recurrente, para evitar que los residuos se asienten en la superficie y se produzcan manchas o decoloraciones. También puede utilizar un detergente suave mezclado con agua, frotar la superficie con una esponja o un paño suave y limpio. Seque la encimera inmediatamente después de limpiarla, para evitar la penetración de humedad y la aparición de manchas de agua. Limpie inmediatamente cualquier derrame, puesto que podría penetrar en el sellador. Para una limpieza más profunda, utilice un limpiador biodegradable a base de agua. Evite los limpiadores a base de amoníaco, puesto que podrían debilitar el sellador y dañar o decolorar la piedra. Nunca utilice cremas o limpiadores abrasivos, limpiadores con vinagre, productos a base de ácido o cualquier producto con base alcalina, como amoníaco, bicarbonato de sodio o bórax.

Climas fríos

Recomendamos almacenar su mesa en un lugar seco durante los climas fríos o cubrir con una funda para muebles de exteriores. Haga una especie de carpa con la tapa, cuidando que no toque ninguna parte de la encimera. Esto facilitará el flujo de aire, permitiendo que la humedad se escape. Es posible que cualquier cantidad de nieve que permanezca sobre la encimera, durante un periodo prolongado de tiempo, provoque humedad, la cual podría penetrar el sellador. La piedra es porosa, así que, si la humedad entrara en ella, podría congelarse y agrietarse o romperse. Para mayor protección, selle la encimera antes de cada invierno.

Climas cálidos

La naturaleza porosa de la piedra la hace susceptible a la retención de calor. Utilice la debida atención y cautela al manejar cualquier encimera de piedra que haya sido expuesta al sol de manera prolongada. Se recomienda utilizar este producto bajo la sombra de algún toldo o carpa.

Armazón

- Lave a mano con jabón suave y enjuague bien con agua. Seque con un paño suave.
- No utilice limpiadores abrasivos o estropajos demasiado duros, puesto que podría dañar la superficie.

Manual de usuario para la mesa con chimenea

Técnico instalador: Deje este manual junto con el aparato.

Propietario: Conserve este manual para referencia futura.

⚠️ ADVERTENCIA ⚠️



¡CALIENTE! NO TOCAR, PUEDEN PRODUCIRSE QUEMADURAS GRAVES. LA ROPA PUEDE INCENDIARSE.

El vidrio y otras superficies se calentarán durante la operación y se enfriarán.

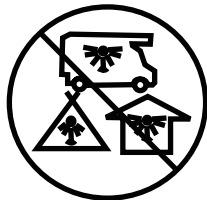
- Los niños pequeños deben ser estrictamente supervisados cuando se encuentren cerca del aparato.
- Se debe alertar a niños y adultos del peligro que representan las superficies expuestas a altas temperaturas y la importancia de mantenerse a una distancia para evitar quemaduras o la ignición de la ropa.
- No cuelgue ropa ni otros materiales inflamables sobre el aparato, ni cerca de él mismo.

PRECAUCIÓN: El aparato estará caliente durante su operación. No tocar. Mantenga limpia el área del quemador.

⚠️ ADVERTENCIA:

Únicamente para uso en exteriores. La instalación y servicio deben ser realizados por un técnico calificado, una agencia de servicio o el proveedor de gas.

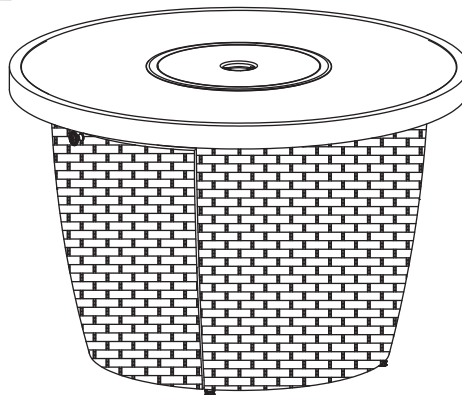
⚠️ PELIGRO



RIESGO DE EXHALACIÓN DE MONÓXIDO DE CARBONO

Este aparato produce monóxido de carbono que no tiene olor. Su uso en un espacio cerrado puede ser mortal. Nunca utilice este aparato dentro de un espacio cerrado, como una casa rodante, un auto, o al interior de la casa.

⚠️ ADVERTENCIA: Si no sigue la información de este manual al pie de la letra, podría ocasionar un incendio o una explosión provocando daños a la propiedad, lesiones personales o la muerte.



⚠️ PELIGRO

- Si detecta olor a gas:
- Cierre el paso del gas al aparato.
 - Extinga cualquier flama abierta.
 - Si el olor persiste, abandone el área inmediatamente.
 - Después de abandonar el área, llame a su proveedor de gas o al departamento de bomberos.

No seguir estas instrucciones podría resultar en un incendio o una explosión que podría causar daños a la propiedad, lesiones personales o la muerte.

⚠️ ADVERTENCIA

No almacene o utilice gasolina u otros vapores y líquidos inflamables cerca de éste o cualquier otro electrodoméstico. No almacene cilindros de gas LP desconectados cerca de este o cualquier otro electrodoméstico.

⚠️ ADVERTENCIA

- Proposición 65 del Estado de California: Los subproductos de la combustión en este aparato, contienen sustancias químicas reconocidas por el Estado de California como causantes de cáncer, defectos congénitos u otros daños reproductivos.
- Proposición 65 del Estado de California: Lávese las manos después de manipular este producto.
- Proposición 65 del Estado de California: La manipulación del material de latón de este producto lo puede exponer al plomo, un químico reconocido por el Estado de California como causante de cáncer, defectos de nacimiento u otros daños reproductivos.

PRECAUCIÓN



NO DESECHE ESTE MANUAL

- Incluye instrucciones importantes de operación y mantenimiento
- Lea, comprenda y siga estas instrucciones para la instalación y operación segura.

⚠️ ADVERTENCIA ⚠️

La instalación incorrecta o las alteraciones a la configuración, servicio o mantenimiento pueden ocasionar lesiones o daños materiales. Lea las instrucciones de instalación y mantenimiento antes de instalar o dar mantenimiento a este equipo.

Manual de usuario para la mesa con chimenea

Técnico instalador: Deje este instructivo con el propietario.
Propietario: Conserve estas instrucciones para futura referencia.

Este electrodoméstico es un Aparato a Gas Decorativo, únicamente para **USO** en **EXTERIORES** y **NO** debe ser utilizado para cocinar.

A. Consideraciones de diseño e instalación

Coloque la chimenea sobre una superficie plana y estable, en un lugar al aire libre adyacente a la línea de suministro de gas o cilindro de gas LP. NO coloque el dispositivo donde esté excesivamente húmedo o sumergido en agua.

B. Herramientas y suministros necesarios

Antes de comenzar la instalación, asegúrese de tener a la mano las siguientes herramientas y accesorios.

- Guantes
- Gafas de seguridad
- Llave inglesa

C. Inspeccione el aparato y sus componentes.



ADVERTENCIA



Revise el aparato y sus componentes para detectar daños.

Las piezas dañadas pueden afectar la operación segura.

- NO instale componentes dañados, incompletos o sustituya los componentes. Reporte las piezas dañadas a su distribuidor.
- Retire cuidadosamente todos los componentes del quemador del empaque.
- Lea todas las instrucciones antes de comenzar la instalación. Siga estas instrucciones cuidadosamente durante la instalación para asegurar una máxima seguridad y beneficio.



ADVERTENCIA



Riesgo de asfixia

- Este aparato a gas es para uso en exteriores, en un espacio bien ventilado.
- Esta unidad no debe ser instalada dentro de una estructura cerrada o un área sin ventilación.



ADVERTENCIA



Nunca deje la chimenea sin supervisión durante ningún período de tiempo.
Nunca se sienta sobre la chimenea.
Nunca use la chimenea como una unidad de almacenamiento.



ADVERTENCIA



Se anulará la garantía, en caso de presentarse lo siguiente:

- Instalación y uso de cualquier componente dañado.
 - Modificación del ensamble del quemador.
 - Instalación distinta a la especificada por el fabricante.
- Dicha acción podría provocar un riesgo de incendio.



ADVERTENCIA



NO utilice este aparato si alguna de sus partes ha sido sumergida en el agua. Llame de inmediato a un servicio técnico calificado para revisar el aparato y reemplazar cualquier pieza del sistema de control y del sistema de gas que haya estado expuesta al agua. No queme combustibles sólidos en este dispositivo a gas.



ADVERTENCIA



1. Los cristales pueden tener bordes muy afilados. Use guantes y gafas de seguridad al manipular.
2. Vierta uniformemente los cristales en la zona del quemador (con excepción de la pantalla, si cuenta con una). Los cristales deben estar a 1 cm- 2,5 cm sobre el quemador.
3. Manténgase lejos de la unidad los primeros 20 minutos después de encender la unidad por primera vez ya que los cristales podrían saltar y causar lesiones. Si alguna roca saltara fuera, deséchela.



ADVERTENCIA SOBRE LAS BATERÍAS:

Nunca deseche la batería directamente en la basura o la arroje al fuego.

Conexión e Información del Suministro de Gas

A. Combustible

Antes de hacer las conexiones de gas, asegúrese de que el dispositivo a ser instalado sea compatible con el tipo de gas disponible.

B. Presión de gas

Presiones de entrada apropiadas son necesarias para un óptimo rendimiento. Los requerimientos para las dimensiones de las tuberías de suministro de gas deberán realizarse conforme a la norma NFPA54.

Nota: Certificado CSA para 3/8" (9,53 mm) (aprobado por el territorio autónomo de Massachussets). La válvula de cierre con mango en T y el conector de gas flexible están conectados a una entrada de válvula de control de 3/8" (9,53 mm). En caso de sustituir estos componentes, consulte los códigos locales para cumplimiento.

La línea de gas entrante debe conectarse a la conexión de 3/8" (9,53 mm) de la válvula de cierre manual.

ADVERTENCIA

Riesgo de incendio
Riesgo de explosión
Compruebe las presiones de entrada.

- Una presión alta puede causar flamas muy altas.
- La presión baja puede causar explosiones.
- Verifique las presiones mínimas cuando otros aparatos domésticos a gas estén en operación.

Instale el regulador antes de la válvula si la presión es mayor a 1/4 psi.

ADVERTENCIA

Riesgo de incendio
Riesgo de explosión

- La acumulación de gas durante la purga de la línea puede causar la ignición.
- La purga debe realizarse por un técnico calificado.
- Compruebe que exista una ventilación adecuada.
- Asegúrese de que no haya ninguna fuente de ignición como chispas o llamas

ADVERTENCIA

VERIFIQUE SI HAY FUGAS DE GAS
Riesgo de incendio
Riesgo de explosión
Riesgo de asfixia

- Compruebe todas las conexiones y accesorios. Por favor vea la imagen debajo.
- No utilice fuego directo.
- Una vez finalizada la instalación de la línea de gas, todas las conexiones deben apretarse y comprobar si hay fugas con una solución comercial para la detección de fugas. Asegúrese de enjuagar por completo la solución para la detección de fugas. Asegúrese de enjuagar toda solución para detección de fugas después de hacer la prueba. Los accesorios y conexiones pueden haberse aflojado durante el transporte y manejo.

Los requerimientos de presión para el dispositivo se muestran en la tabla siguiente. Se debe cumplir con las presiones mínimas requeridas cuando otros aparatos domésticos de gas estén en operación.

Presión	Gas natural	Gas propano
Presión mínima de entrada	0,25 psi	0,40 psi
Presión máxima de entrada	0,38 psi	0,50 psi

Tanto el aparato como la válvula individual de paso deben estar desconectados del sistema de tuberías de suministro de gas cuando la presión exceda 1/2 psi (3,5 kPa). Este dispositivo debe aislarse del sistema de tuberías de suministro de gas, cerrando su válvula de cierre durante toda prueba de presión del sistema de suministro de gas en presiones iguales o menores a 1/2 psi (3,5 kPa).

C. Conexión de gas

Nota: Instale el suministro de gas de acuerdo con los códigos de construcción locales, si los hubiera. De lo contrario, siga la normativa ANSI 223.1. La instalación debe ser realizada por un técnico de servicio calificado, aprobado y/o acreditado de acuerdo a las regulaciones locales. (En el territorio autónomo de Massachussets, la instalación debe ser realizada por un plomero o un instalador de gas con licencia).

- Una pequeña cantidad de aire estará en las líneas de suministro de gas. Cuando encienda por primera vez el dispositivo, tomará un poco de tiempo hasta que la unidad no requiera dicha purga. Nunca permita que la válvula ON/OFF (ENCENDIDO/APAGADO) permanezca en la posición abierta sin presionar y mantener presionado el botón de encendido PRIMERO.

ADVERTENCIA

La instalación o reparación debe ser realizada por un técnico de servicio calificado. El aparato debe ser inspeccionado antes de su uso y por lo menos una vez al año por un técnico de servicio profesional. La limpieza frecuente es necesaria. Es imprescindible que los compartimientos de control, quemadores y canales de circulación de aire del dispositivo se mantengan siempre limpios.

- *No utilice esta chimenea para cocinar.
- *No quemé otros materiales diferentes a los suministrados, los cuales están destinados a utilizarse con esta chimenea.
- *No vierta agua en la chimenea.
- * La instalación de este producto debe cumplir con los códigos locales.
- *No utilice esta chimenea si alguna de sus partes ha sido sumergida en el agua.
- *No almacene un cilindro de propano líquido de repuesto o desconectado debajo o cerca de esta chimenea.
- *Después de un período de almacenamiento o sin utilización, se debe revisar que la chimenea de gas propano no tenga fugas de gas u obstrucciones en el quemador antes de usar.
- *No utilice la chimenea de gas propano si detecta fugas de gas.
- *Nunca encienda una flama para verificar la existencia de fugas.
- *Los materiales combustibles nunca deben ser colocados a una distancia menor de 1,5 metros de la parte superior o 1,2 metros de los costados o la parte posterior de la chimenea de propano.
- *No coloque cualquier otra cubierta sobre la chimenea o cualquier objeto inflamable sobre o debajo de la chimenea.
- *La chimenea de propano nunca debe ser utilizada por los niños. Los niños deben ser supervisados cuando se encuentren cerca del aparato.
- * Los usuarios deben estar conscientes del peligro que representan las superficies expuestas a altas temperaturas y la importancia de mantenerse a una distancia segura para evitar quemaduras o la ignición de la ropa.
- * Preste atención al utilizar la chimenea. El aparato se calentará durante el uso y nunca se debe dejar desatendido.
- No mueva la chimenea mientras está en funcionamiento.
- * En caso de que el fuego salga de control mientras está encendido, apague la válvula de gas.
- Siga las instrucciones y espere cinco minutos antes de volver a encender.
- * Nunca use carbón o cualquier otro combustible sólido en la chimenea.
- Nunca seque ropa u otros materiales inflamables sobre o cerca de la chimenea.
- * Nunca se incline sobre la chimenea o ponga las manos o los dedos en la parte superior de la unidad en operación.
- * Mantenga despejadas y libres de residuos las aberturas de ventilación en el compartimento para el cilindro (CUERPO DE LA CHIMENEA).
- * No coloque los pies sobre la chimenea.
- * Por favor, retire la batería cuando no utilice la chimenea por un período prolongado de tiempo.
- * No agrande los orificios de la válvula o los puertos del quemador cuando limpie la válvula o el quemador. El sistema de suministro del cilindro debe contar con liberación de vapor.
- * El cilindro utilizado debe incluir un collar de protección para la válvula del cilindro.
- * Nunca llene el cilindro más allá del 80%.
- * El gas propano no es gas natural. Utilice únicamente gas propano para esta chimenea.
- * La conversión o tentativa de uso de gas natural en una unidad para gas propano o el utilizar gas propano en una unidad de gas natural es peligroso.
- * No use esta chimenea en vehículos o embarcaciones.
- * Siempre utilice el aparato en exteriores en una superficie plana.
- * Mantenga cualquier cable de suministro eléctrico y la manguera de suministro de combustible alejado de cualquier superficie caliente.
- * No utilice esta chimenea a menos que todas las piezas estén en su lugar.
- * El área del aparato debe mantenerse limpia y libre de materiales combustibles, gasolina y otros vapores y líquidos inflamables.
- * Inspeccione la manguera antes de utilizar el aparato.
- * Si existe evidencia de abrasión excesiva o desgaste, o si la manguera está rota, el ensamble de la manguera debe reemplazarse antes de poner en operación el dispositivo.
- * Coloque la manguera alejada de caminos donde las personas puedan tropezarse con ella, o en áreas donde la manguera pueda dañarse accidentalmente.
- * En caso de daño evidente del quemador, éste debe ser sustituido antes de que el dispositivo se ponga en funcionamiento.

El cilindro de suministro de gas LP a utilizar debe ser:

- 1) construido y marcado de acuerdo con el Departamento de Transporte de los Estados Unidos (DOT por sus siglas en inglés: Department of Transportation), o de conformidad con la normativa CAN/CSA B339, "Cilindros, esferas y tubos para el transporte de mercancías peligrosas", según aplique;
- 2) provisto de un dispositivo de prevención de sobrellenado;
- 3) provisto de un dispositivo de conexión para cilindros compatibles con la conexión del dispositivo.

Solución de problemas

Problema	Causas posibles	Acciones correctivas
1. No prende fuego	A. No hay gas LP en el tanque, o la línea principal de Gas Natural está cerrada	Revise el tanque de gas LP (propano), puede no tener gas; o verifique la línea principal de la válvula de Gas natural.
	B. Orificio del quemador obstruido.	Compruebe que el orificio del quemador no esté obstruido. Retire la obstrucción.
	C. La batería necesita ser reemplazada	Asegúrese de escuchar un sonido de "clic" cuando usted presione el botón de encendido. Si no hay sonido, asegúrese de que haya instalado la batería correctamente colocando primero el lado negativo de la batería en el compartimento. Si todavía no funciona, reemplace con una nueva batería "AAA" de 1,5 V. Si la unidad sigue sin funcionar puede requerir limpieza o reemplazo, llame a nuestra línea de atención al cliente de Estados Unidos al 1-88 8-690-9800 para asistencia.
2. Las llamas son muy bajas o no permanecen encendidas	A. La válvula de cierre manual está abierta (perilla de control encendido/apagado) o no está instalada entre el aparato y el tanque de gas LP.	Cierre las válvulas de cierre manual y del tanque LP. Abra primero la válvula del tanque de gas LP y después la válvula de cierre manual.
3. Llamas azules	A. Esto es el resultado de una operación normal, las llamas comenzarán a tener un color amarillo a medida que la unidad permanezca encendida durante 16-20 minutos.	No haga nada
	B. Mezcla inapropiada de aire/combustible relacionada con la posición del obturador de aire.	Cierre la válvula de paso (para gas LP, deje 1/4" (6.3 mm) abierto, para gas natural, 1/16 (1.5mm) abierto).
4. Ruido metálico	A. El ruido es causado por el metal que se expande y se contrae al calentarse o enfriarse, un sonido similar al producido por un calefactor o un conducto de calefacción. Este ruido no afecta el funcionamiento ni la vida útil del aparato.	No haga nada
5. Las piedras decorativas se agrietan o se parten.	A. Calor y/o cambios bruscos de temperatura.	Esto es una propiedad del vidrio y puede suceder de vez en cuando. No haga nada. Esto es completamente normal.

Tareas de cuidado y mantenimiento

Inspeccione	Inspeccione
Ensamble del quemador	1. Retire el vidrio decorativo y revise el quemador. Aspire y limpie según sea necesario. Tenga cuidado al limpiar estas áreas.
	2. Revise que no haya deformación o corrosión. Repare de ser necesario.
	3. Revise la manguera que conecta el cilindro de gas LP para asegurarse de que no esté dañada. Repare según sea necesario.
	4. Verifique que el área del obturador de aire esté limpia.
Operación y encendido del quemador	1. Verifique que todas las conexiones estén apretadas y libres de fugas.
	2. Limpie la parte superior del quemador, revise que no haya puertos tapados, corrosión o deterioro. Reemplace el quemador de ser necesario.
	3. Revise si existen problemas con las llamas.
	4. Verifique que el obturador de aire no tenga polvo o suciedad y que esté en la posición correcta para el tipo de gas que se utilice.
	5. Revise que el orificio no tenga hollín, suciedad o corrosión.
	6. Verifique las presiones de entrada y del colector. Ajuste el regulador según sea necesario.
Manguera de gas con regulador	1. La manguera de gas con regulador incluida con el aparato debe utilizarse para las instalaciones de gas LP. En caso de reemplazo, hágalo según lo especificado por fabricante del producto.

Antes de regresar el producto a la tienda, llame a nuestro Departamento de Servicio al Cliente al 1-888-690-9800 o envíe un correo electrónico a cs@sunvillahome.com, de lunes a viernes, de 8:30 am a 5:00 pm, hora del Pacífico de E.U.A o de 11:30 am a 8:00 pm, hora del Este de E.U.A. Inglés y español.

Antes de almacenar



1. Gire la válvula del tanque de gas LP a "CLOSED" (CERRADO).
 2. Gire las perillas de control a la posición de "OFF" (APAGADO). Nota: El escuchar un sonido de "puf" es normal cuando lo último del gas se quema.
 3. Desconecte el tanque de gas LP de acuerdo a la sección "Desconexión del tanque de Gas LP".
 4. Limpie todas las superficies.
- ⚠️PRECAUCIÓN: NUNCA coloque la tapa en la chimenea caliente para exteriores.**
5. Cubra el quemador con una capa ligera de aceite para cocina para evitar la oxidación excesiva.
 6. Si almacena la chimenea para exteriores en un interior, cubra la chimenea para exteriores y almacénela en un lugar fresco y seco alejado de los niños y mascotas.
 7. Si almacena la chimenea para exteriores al aire libre, cubra la chimenea con la cubierta incluida para protegerla contra la intemperie.

Nota:


- Las ilustraciones reflejan instalaciones típicas y son PARA PROPÓSITOS DE DISEÑO ÚNICAMENTE.
- Las ilustraciones y diagramas no están dibujados a escala.
- La instalación real puede variar debido a las preferencias individuales de decoración.

Comprobación de fugas

- Prepare una solución de 60 mL a 90 mL para la detección de fugas mezclando una parte de detergente líquido para lavar platos con tres partes de agua.
- Asegúrese de que las perillas de control están en la posición "o" (Figura 1).
- Conecte el tanque de gas LP ;
- Gire la válvula del tanque de gas LP en la posición de abierto "open";
- Vierta varias gotas de la solución o utilice una botella de chorro para cubrir todas las áreas "X";
 - Si aparecen burbujas, gire la válvula del tanque de gas LP a la posición "CLOSED" para cerrarla, vuelva a conectar y espere;
 - Si sigue viendo burbujas después de varios intentos, gire la válvula del tanque de gas a "CLOSED" y desconecte el tanque de gas de acuerdo con la sección "Desconexión del tanque de gas". Llame al 888-690-9800 para asistencia.
 - Si no aparecen burbujas después de un minuto, gire la válvula del tanque de gas LP a "CLOSED" y limpie la solución.

**ADVERTENCIA**

Riesgo de incendio



Proporcione una separación adecuada:

- Alrededor de las aberturas de aire.
- De acceso para servicio.

Ubique el aparato lejos de áreas de paso

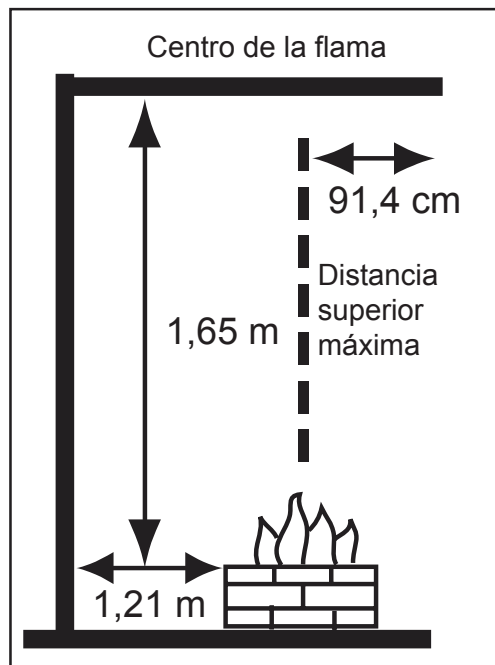
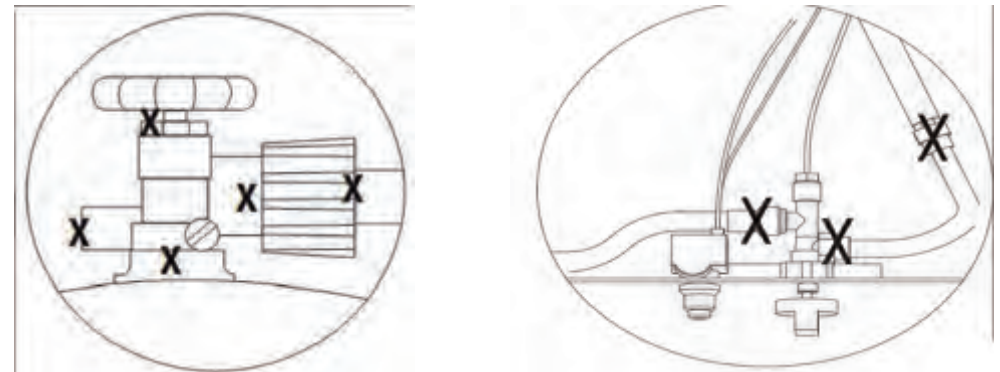


Figura 1. Distancias para combustibles.



PARA UNIDADES DE GAS LP

*No intente desconectar el regulador de gas o cualquier instalación de gas mientras que la chimenea esté en funcionamiento.

*Un cilindro de propano líquido abollado u oxidado puede ser peligroso y debe ser revisado por su proveedor de gas antes de usarlo.

*No use un cilindro de propano con una válvula dañada u otras piezas desgastadas.

*Transporte y almacene los cilindros de gas vacíos cuidadosamente y de forma correcta.

*Si usted ve, huele o escucha un silbido del gas escapando del cilindro de propano:

1. Apague el suministro de gas y aléjese del cilindro de gas y de la chimenea inmediatamente.
2. No intente corregir el problema usted mismo.
3. Contacte a su proveedor de gas o al departamento de bomberos para solicitar ayuda.

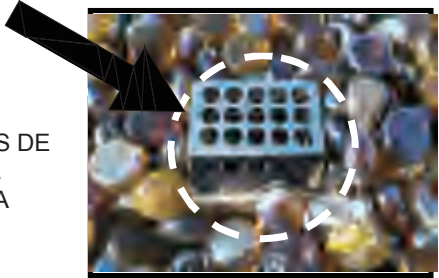
ENCENDIDO

1. Asegúrese de que todas las etiquetas, empaques y películas de protección hayan sido removidas de la chimenea para exteriores.
 2. Retire la cubierta y la tapa de la chimenea antes de encenderla.
 3. Revise que el flujo de aire al quemador no tenga obstrucciones. Las arañas, insectos y telarañas pueden obstruir el tubo del quemador/venturi. Un tubo del quemador obstruido puede provocar un incendio.
 4. La perilla de control debe estar en la posición de "OFF" (APAGADO) (Figura 3).
 5. Despeje una pequeña área de piedras de vidrio de la tapa del encendedor (Figura 4).
 6. Conecte el tanque de gas LP de acuerdo a la sección "Instalación del tanque de Gas LP".
 7. Gire la válvula del tanque de gas LP a "OPEN" (ABIERTO).
 8. Mantenga oprimido el encendedor electrónico para crear chispas en los electrodos, continúe manteniéndolo oprimido.
 9. Oprima la perilla de control y gire a la posición de "ON" (ENCENDIDO), mantenga oprimida la perilla de control para permitir que el gas fluya durante 20 segundos.
 10. Después de 20 segundos, suelte y gire la perilla de control hacia la izquierda para ajustar el fuego a la altura deseada.
 11. Si no se enciende en 20 segundos, gire la perilla de control del quemador a "OFF" (APAGADO), espere 5 minutos; disipe el aire con un periódico o revista y repita el procedimiento de encendido.
 12. Si el encendedor no enciende el quemador:
 - a. Coloque un fósforo largo o un encendedor largo de gas butano cerca del compartimento del piloto usando unos guantes resistentes al calor.
 - b. Oprima y gire la perilla de control para encender.
 - c. Retire el fósforo/encendedor una vez que el quemador se encienda.
- PRECAUCIÓN: Después de encender la chimenea con una herramienta y guantes resistentes al calor, mueva con cuidado las cuentas de vidrio a su posición correcta, teniendo cuidado para evitar las llamas.
13. Después de encender, observe la llama del quemador, asegúrese de que todos los puertos estén encendidos y que la altura de la llama coincida con la ilustración (Figura 3).

⚠️ ADVERTENCIA

⚠️ Esta rejilla debe estar libre de obstrucciones en todo momento para asegurar el funcionamiento correcto.

Rejilla



NO COLOQUE PIEDRAS DE VIDRIO EN LA REJILLA. MANTENGA LA REJILLA LIBRE.

Operación

PRECAUCIÓN: Se debe alertar a niños y adultos del peligro que representan las superficies expuestas a altas temperaturas y la importancia de mantenerse a una distancia segura para evitar quemaduras o la ignición de la ropa. Los niños pequeños deben ser estrictamente supervisados cuando se encuentren cerca del aparato.

ADVERTENCIA: No utilice este aparato si alguna de sus partes ha sido sumergida en el agua. Llame de inmediato a un servicio técnico calificado para revisar el aparato y reemplazar todas las piezas del sistema de control y del sistema de gas que hayan estado expuestas al agua.

ADVERTENCIAS DE SEGURIDAD

1. Nunca deje desatendida la chimenea durante la operación
2. No cuelgue ropa ni otros materiales inflamables sobre el aparato, ni cerca del mismo.
3. Previo a su utilización, coloque en su lugar cualquier protección o guarda que haya quitado para dar servicio al aparato.
4. Toda instalación o reparación debe ser realizada por un técnico de servicio calificado. El aparato debe ser inspeccionado antes de su uso y por lo menos una vez al año por un técnico de servicio profesional. La limpieza frecuente es necesaria. Es imprescindible que los compartimientos de control, quemadores y canales de circulación de aire del dispositivo se mantengan siempre limpios.
5. Inspeccione la conexión del suministro de combustible antes de cada uso del aparato.
6. El almacenamiento temporal de este aparato en interiores es permisible sólo si ha sido desconectado del suministro de combustible (línea de gas LP o natural).

ADVERTENCIA

1. Este aparato estará caliente cuando esté en funcionamiento y puede causar quemaduras severas si entra en contacto con la piel.
2. No queme combustibles sólidos en este aparato.



Figure 1



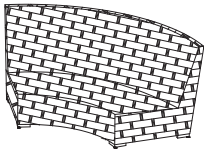
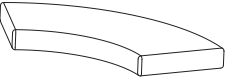
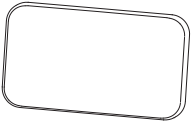

Figure 2

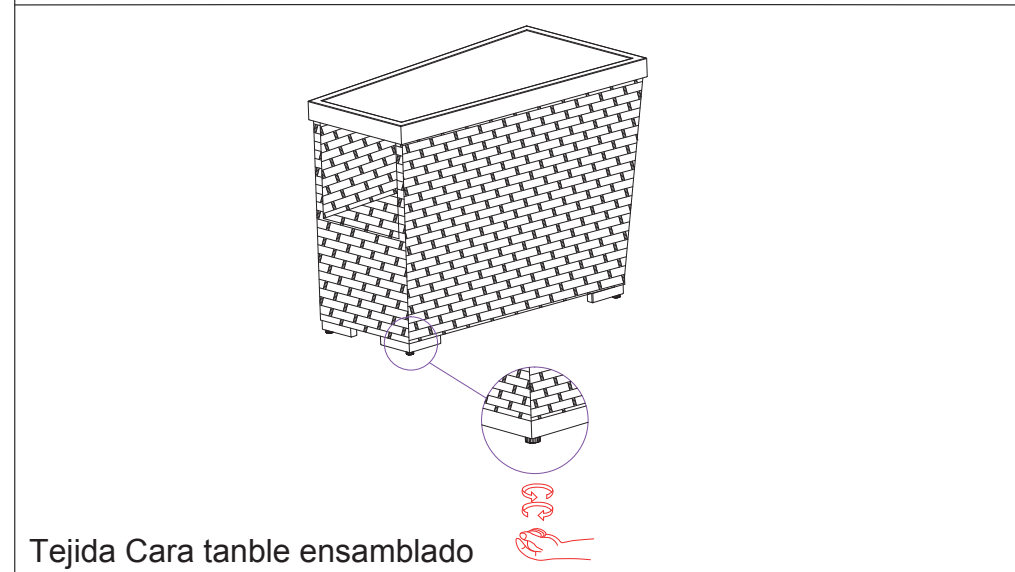
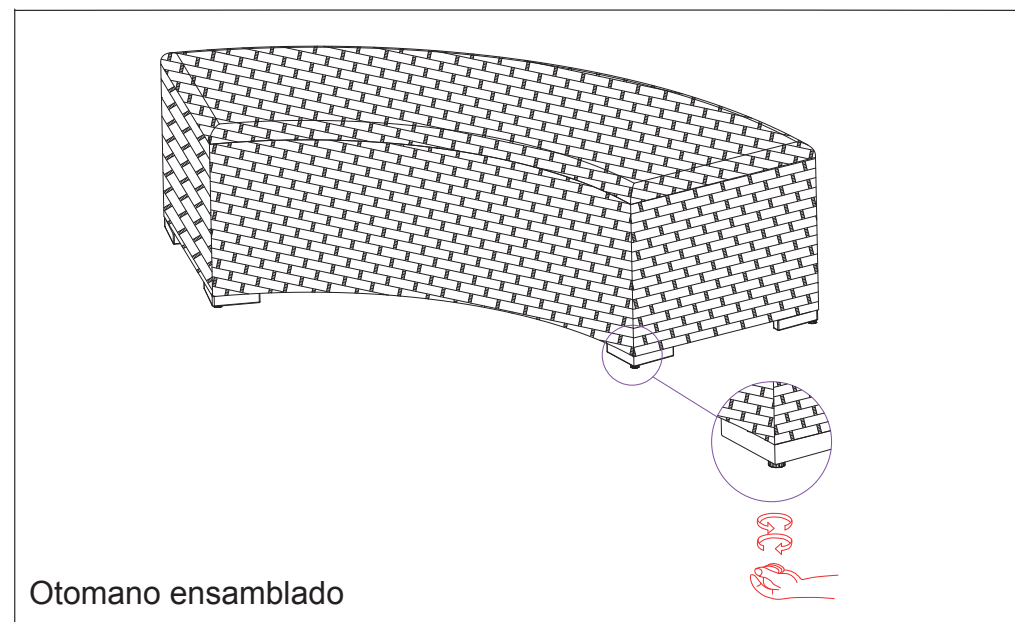
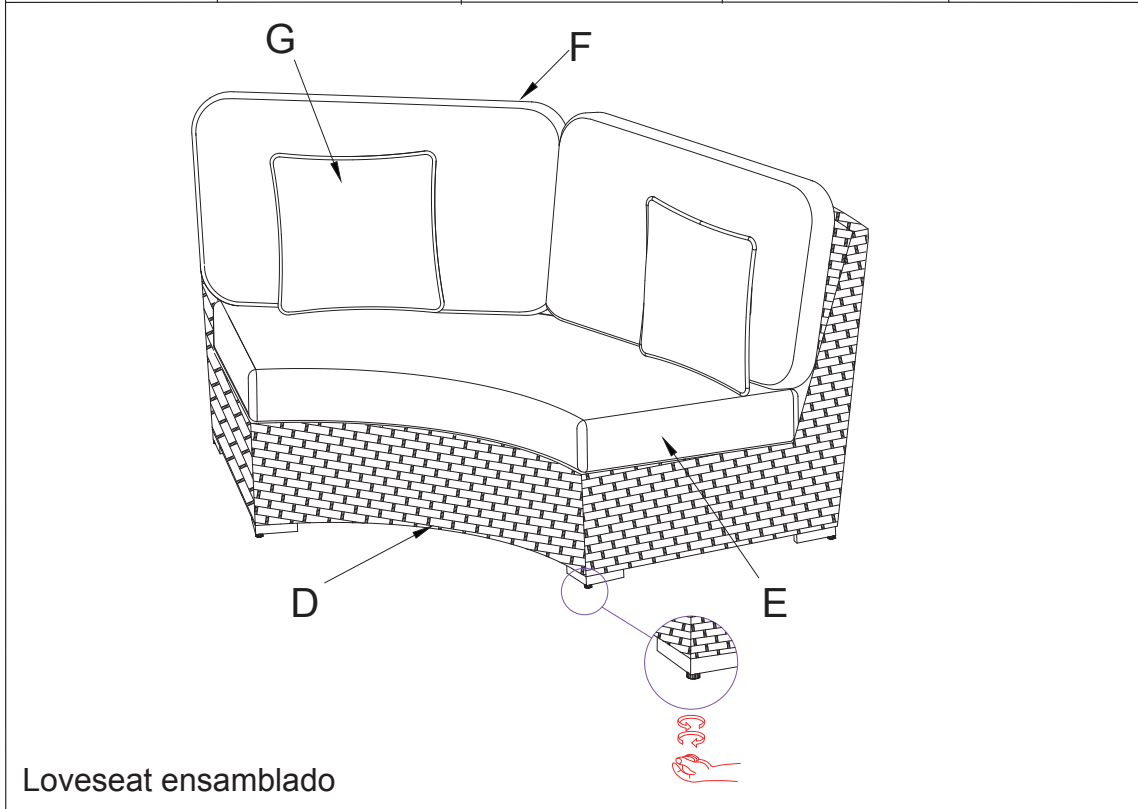


Figure 3

PARA APAGAR:

1. Gire la válvula del tanque de gas LP a "CLOSED" (CERRADO).
2. Gire la perilla de control a la posición de "OFF" (APAGADO). Nota: El escuchar un sonido de "pu" es normal cuando lo último del gas LP se quema.
3. Desconecte el tanque de gas LP de acuerdo a la sección "Desconexión del tanque de Gas LP".

PIEZA	D	E	F	G
IMAGEN				
CANT	2	2	4	4



CUIDADO Y MANTENIMIENTO

Armazón de la silla

- Lave a mano con jabón suave y enjuague bien con agua. Seque con un paño suave.
- No use limpiadores abrasivos ni talle muy fuerte ya que esto puede dañar la superficie.

Tela de la silla

La tela Sunbrella® debe limpiarse regularmente. Elimine toda la suciedad suelta y lave con una solución de agua tibia y jabón suave. Para manchas difíciles y moho, lave con una solución de 236 mL (1 taza) de blanqueador y 59 mL (1/4 de taza) de jabón suave por cada 3,8 L (1 galón) de agua. Enjuague bien para retirar el jabón. Permita que la tela seque al aire. Nota: No lave a máquina.

CUIDADO Y MANTENIMIENTO

Armazón de la silla

- Lave a mano con jabón suave y enjuague bien con agua. Seque con un paño suave.
- No use limpiadores abrasivos ni talle muy fuerte ya que esto puede dañar la superficie.

Tela de la silla

La tela Sunbrella® debe limpiarse regularmente. Elimine toda la suciedad suelta y lave con una solución de agua tibia y jabón suave. Para manchas difíciles y moho, lave con una solución de 236 mL (1 taza) de blanqueador y 59 mL (1/4 de taza) de jabón suave por cada 3,8 L (1 galón) de agua. Enjuague bien para retirar el jabón. Permita que la tela seque al aire. Nota: No lave a máquina.

Distributed by:	Costco Wholesale UK Ltd /
Costco Wholesale Corporation	Costco Online UK Ltd
P.O. Box 34535	Hartspring Lane
Seattle, WA 98124-1535	Watford, Herts
USA	WD25 8JS
1-800-774-2678	United Kingdom
www.costco.com	01923 213113
	www.costco.co.uk