

Features

- Sleek, handheld remote control with two programmable user presets.
- Front and rear wash modes provide warm water for cleansing.
- Three-level adjustable nozzle position, water temperature, and water pressure.
- Bidet wand rotates to deliver three personal cleansing spray modes; stream, mist, and air mist.
- Stainless steel wand is automatically cleaned before and after each use.
- 3D wash feature oscillates spray back-and-forth and side-to-side.
- Spa Spray mode activates air mist spray while automatically changing water temperature for a comfortable spray.
- Boost spray automatically adjusts rear spray mode to highest pressure.
- Child mode with soft, gentle wash provides a safe experience.
- Heated seat with adjustable temperature settings.
- Warm-air drying system with adjustable temperature settings.
- Automatic deodorization with carbon filter for odor control.
- Power-save mode monitors usage and adjusts heated seat settings to save energy.
- Quiet-Close™ functionality to prevent seat from slamming.
- Grip-Tight bumpers hold seat firmly in place.
- Quick-Release™ functionality allows seat to be removed easily from toilet for convenient cleaning.
- Fits most elongated toilets.

Material

- Plastic construction.

Installation

- Requires connection to toilet water supply line. All hoses and connections are included.
- Requires dedicated electrical GFCI circuit (120V, 15A, 60Hz).

Included Components

Additional Components:
 AAA Batteries (Qty 3)
 Remote
 Seat mounting bracket
 Supply hose
 T-Valve



Codes/Standards

UL 1431
 CSA C22.2 No. 64
 CSA C22.2 No. 68

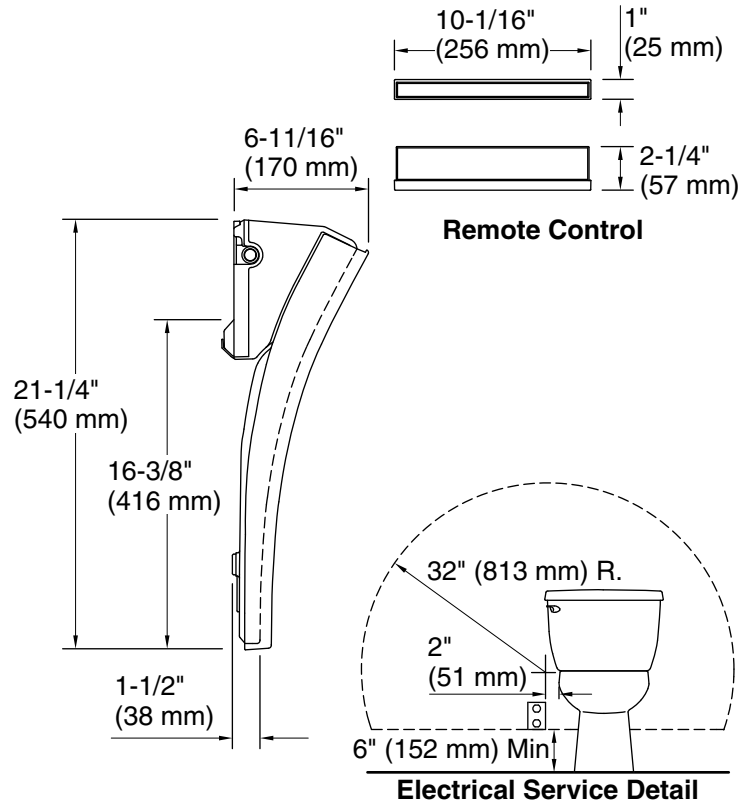
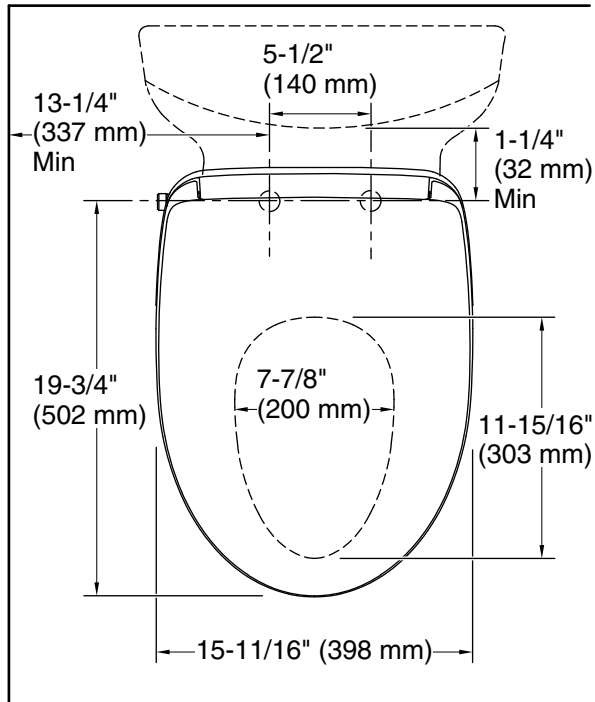
KOHLER® Intelligent Toilet and C3® Cleansing Seat Three-Year Limited Warranty

See website for detailed warranty information.

Available Colors/Finishes

Color tiles intended for reference only.

Color	Code	Description
	0	



Required Electrical Service

One dedicated circuit required, protected with Class A Ground-Fault Circuit-Interrupter (GFCI). Outside North America, this device may be known as a Residual Current Device (RCD).

Bidet toilet seat: 120 V, 15 A, 60 Hz

Technical Information

All product dimensions are nominal.

Seat shape type: Elongated
 Seat front type: Closed-front
 Seat-mounting holes: 5-1/2" (140 mm)
 Electrical component rating: Bidet toilet seat: 120 V, 15 A, 60 Hz, 1450 W
 Power cord length: 51" (1295 mm)

Notes

Install this product according to the installation guide.

To avoid possible product malfunction, do not plug in the seat until instructed to do so.

CAUTION: Risk of property damage. A single extension cord may be used provided the cord "Type" begins with "SJ", 12 gauge, grounded (12/3), no longer than 25 feet, and plugged into a GFCI outlet. Promptly replace any extension cord that exhibits any sign of damage.

Connect the seat to a cold water supply of drinking quality water at a pressure of 20 psi - 80 psi (139 kPa - 551 kPa).

Do not install this seat in a location where: (1) water might be splashed on the product or (2) excessive moisture, high humidity levels, or condensation is present. This will avoid damage to the electronic components.