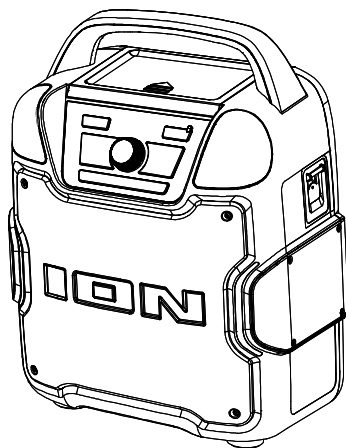


# **ION**

## **Pathfinder™ 320°**



**User Guide**

English ( 3 – 11 )

**Guía del usuario**

Español ( 12 – 21 )

**Guide d'utilisation**

Français ( 22 – 30 )

**Appendix**

English ( 31 )



# User Guide (English)

## Introduction

### Box Contents

Pathfinder™ 320°  
Power/Charging Cable (6 ft. / 183 cm)  
Quickstart Guide

### Support

For the latest information about this product (documentation, technical specifications, system requirements, compatibility information, etc.) and product registration, visit [ionaudio.com](http://ionaudio.com).

For additional product support, visit [ionaudio.com/support](http://ionaudio.com/support).

### Use and Care

Though Pathfinder™ 320° is water-resistant\* and able to tolerate splashing water, please review the tips below to get the best performance from Pathfinder™ 320°:

- Bring Pathfinder™ 320° indoors during extreme weather.
- Please do not place Pathfinder™ 320° in standing water.
- Please do not connect the power cable to Pathfinder™ 320° in a wet environment. Make sure the power input, power cable, and power outlet are all completely dry before making any connections.
- **WARNING:** Keep any non-water-resistant devices (phones, music players, etc.) in a dry place where they will not be affected by water and cause a risk of electric shock.

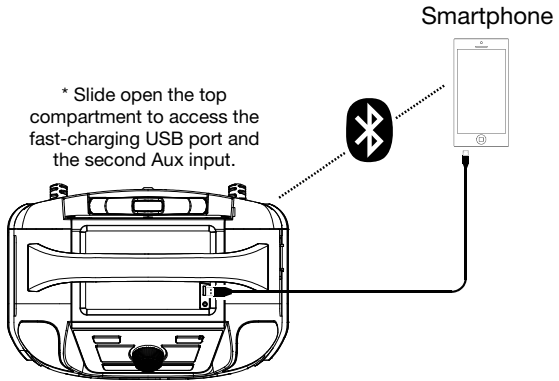
\* Compartment not rated for water resistance and is not guaranteed to prevent water intrusion. ION is not responsible for damage to personal property due to product misuse or failure to comply with these instructions.

## Setup

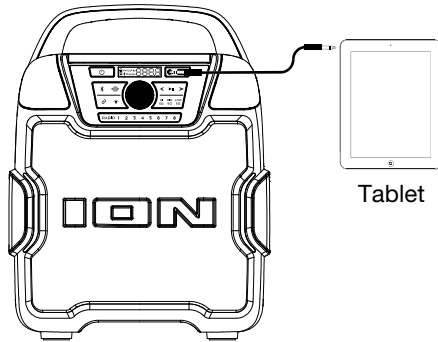
Items not listed under **Introduction > Box Contents** are sold separately.

### Top Panel\*

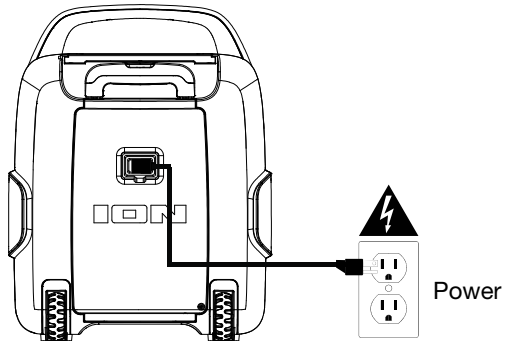
\* Slide open the top compartment to access the fast-charging USB port and the second Aux input.



### Front Panel

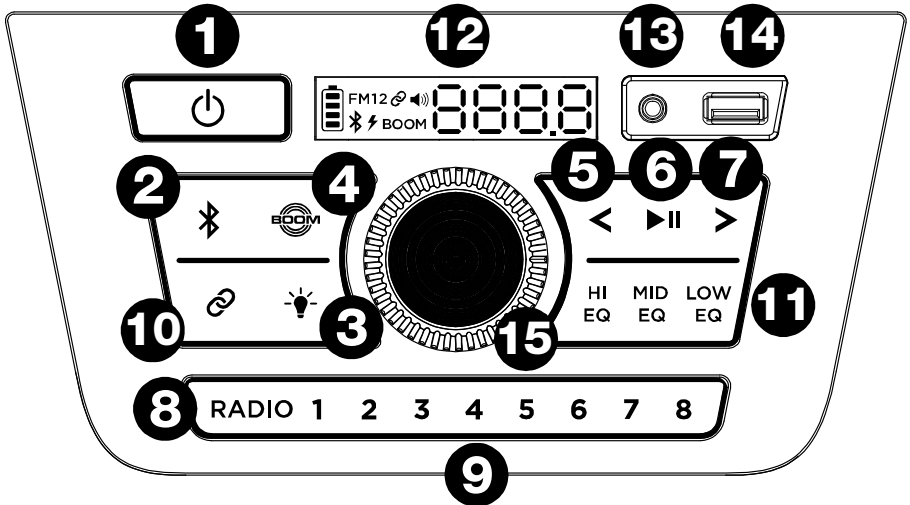


### Rear Panel



## Features

## Front Panel

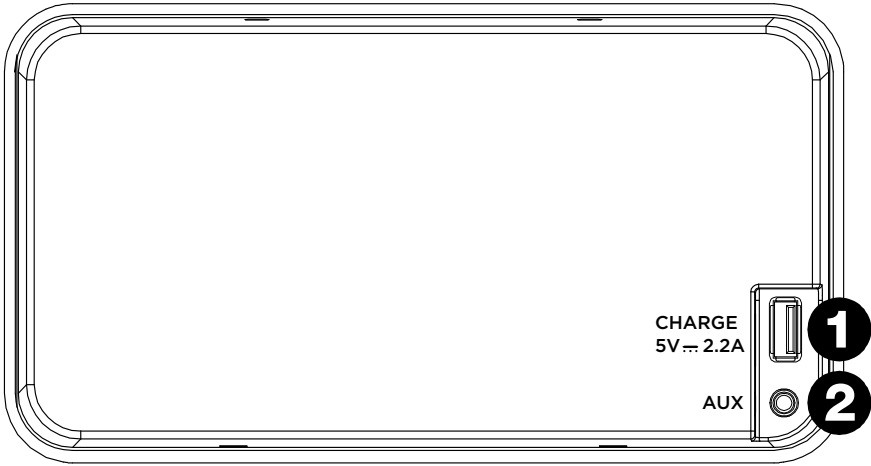


1. **Power On/Off Button:** Press and hold this button to turn Pathfinder™ 320° on/off. While Pathfinder™ 320° is connected to a power source, it does not need to be powered on to charge the battery.
  2. **Bluetooth® Button:** Press and release this button to enter Bluetooth pairing mode or to disconnect a paired Bluetooth device and enter Aux Mode. Press and hold this button to disable or enable the speaker's Voice Prompts. When linked, press and release this button to set a speaker as the primary speaker.
  3. **Light Mode Button:** Press this button to select how the lights on the front panel function:
    - **Color Cycle:** The lights slowly glow and cycle through colors. Press and hold the light mode button to freeze the lights on one color. This is the default mode when Pathfinder™ 320° is first powered on.
    - **Beat Sync:** The lights react to the beat of the music.
    - **Off:** The lights turn off.
  4. **Boom Button™:** Press this button to simultaneously enhance the bass EQ and volume and activate a light show that pulses to the beat of the music. Press this button again to deactivate this feature.
  5. **Previous Track Button:** Press this button to tune in a radio station or go to the previous track on a Bluetooth connected device. Press and hold in radio mode to seek.
  6. **Next Track Button:** Press this button to tune in a radio station or go to the next track on a Bluetooth connected device. Press and hold in radio mode to seek.
- Note:** With some apps, pressing the **Previous Track** button or **Next Track** button may go to another playlist or music genre.
7. **Play/Pause Button:** Press to play or pause a track from a connected Bluetooth device.
  8. **Radio Button:** Press this button to set the radio to FM1, FM2, or turn the radio off.
  9. **Radio Preset Buttons:** Store a favorite radio station and quickly tune to a preset radio station. There are 2 banks of 8 numeric positions each to store FM1 and FM2 band presets. In Radio Mode, save the current station as a preset by pressing and holding a numbered button. Press a numbered button to select a previously saved preset station.

10. **Link Button:** Press and hold this button to start stereo linking to another Pathfinder™ 320°. Press this button twice to disconnect the link to the other speaker. See [Linking Two Pathfinder™ 320° Speakers](#) for more details.
11. **EQ Buttons:** Press an **EQ** button until the display shows "HI" (high frequency), "M" (mid frequency), or "LO" (low frequency). Turn the control knob left or right to decrease or increase the selected frequency, and then press the same EQ button to confirm. See [EQ Control](#) for more details.
12. **Display:** Displays the current radio station, battery status, and Bluetooth status.
  - **Battery Status Icon:**
    - When the power cable is connected, movement of the battery segments shows the battery is charging. When fully charged, all battery segments will be lit without blinking.
    - When the power cable is disconnected, the battery segment shows the level of the battery.
    - When the battery level is low, the bottom battery segment will blink.
    - If a front panel button is not pressed within 60 seconds, the battery level indicator will turn off (to save energy). The battery level indicator will reappear when any button is pressed. Also, when the battery gets to the lowest battery icon segment, the battery level indicator will turn back on.
  - **Lightning Bolt Icon:**
    - The charging indicator will illuminate when the power cable is connected to wall power.
    - When the unit is off and the power cable is connected, the charging indicator will be lit for 5 seconds and then turn off to save energy. To check the charging status, quickly press and release the **Power** button; the charging indicator will illuminate for 5 seconds and then turn off.
    - If the unit is powered off while the power cable is connected, the charging indicator will illuminate for 5 seconds and then turn off to save energy.
  - **Bluetooth Icon:** The Bluetooth icon will be lit solid when a device is paired to Pathfinder™ 320°.
  - **Power Icon:** The power icon will be lit when Pathfinder™ 320° is powered on. The power icon will not be lit when Pathfinder™ 320° is powered off.
  - **Link Icon:** The Link icon will be lit when stereo-linked to another speaker. The Link icon will be off when a single speaker is used.
  - **Volume Icon:** The Volume icon will be lit when the **Main Volume** is adjusted, and turns off after 3 seconds of not being adjusted.
  - **Boom Icon:** The Boom icon will be lit when the Boom function is activated.
13. **Auxiliary Input:** Open the rubber compartment cover to access the aux input and USB port. This stereo 3.5 mm (1/8") input can be used to connect a CD player, MP3 player, or other audio source.
 

**Note:** When the rubber compartment cover is open, the unit will not be water resistant. Make sure Pathfinder™ 320° and connections are dry before charging. Never charge when the unit is wet.
14. **USB Charging Port (5V, 1A):** Connect your device's charge cable here to charge it. USB charging only functions when the unit's power is turned on.
15. **Control Knob:** This adjusts the speaker's main mix volume, which includes the Auxiliary Input, Radio, and the audio of a paired Bluetooth device. Turn this knob in EQ mode to adjust the treble and bass frequencies.

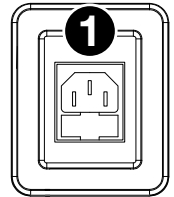
## Top Panel



1. **Fast Charging USB Port:** Slide open the top compartment to access the USB port. Connect your device's charge cable here for a faster charge rate (5V, 2.2A). USB charging only functions when the unit's power is turned on.
2. **2<sup>nd</sup> Aux Input:** Slide open the top compartment to access this Aux input. This stereo 3.5 mm (1/8") input can be used to connect a CD player, MP3 player, or other audio source.

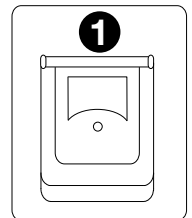
## Rear Panel

1. **Power:** Insert the included power cable here to charge the unit.



## Side Panel

1. **Bottle Opener:** Use this to open bottles of your favorite drinks.



## Operation

### Light Mode

When Pathfinder™ 320° is first turned on, the lights will be in **Color Cycle** mode and start to slowly fade from one color to the next. To pause on a certain color, press and hold the **Light** button for 1 second. To enter **Beat Sync** mode and have the lights react to the beat of the music, press and release the **Light** button. Press the **Light** button again to turn off the lights.

### EQ Control

#### Hi EQ:

1. Press the Hi EQ button. "HI" will appear on the display for high frequency.
2. To decrease the high frequency, turn the encoder left.
3. To increase the high frequency, turn the encoder right.
4. Press the Hi EQ button to confirm or wait 3 seconds for the display to revert back to the main screen.

#### Mid EQ:

1. Press the Mid EQ button. "M" will appear on the display for mid frequency.
2. To decrease the mid frequency, turn the encoder left.
3. To increase the mid frequency, turn the encoder right.
4. Press the Mid EQ button to confirm or wait 3 seconds for display to revert back to main screen.

#### Low EQ:

1. Press the Low EQ button. "LO" will appear on the display for low frequency.
2. To decrease the low frequency, turn the encoder left.
3. To increase the low frequency, turn the encoder right.
4. Press the Low EQ button to confirm or wait 3 seconds for the display to revert back to the main screen.

### Pairing a Bluetooth Device

1. Make sure the speaker is within range of your Bluetooth device (no more than 100 ft. / 30.5 m away). If there is no connection after 90 seconds, the speaker will stop searching for a Bluetooth device and enter AUX mode.
2. Press the **Bluetooth button** on the speaker.
3. Navigate to your Bluetooth device's setup screen. Then find and select **Pathfinder 320°**. Do not connect to **iPA159\_BLE**; this is reserved exclusively for connecting to the **ION Sound XP™** app. If your Bluetooth device prompts for a pairing code, enter **0000**.

**Note:** If you have previously connected to your Bluetooth device, Pathfinder™ 320° will reconnect automatically.

**Tip:** Press the **Bluetooth button** to enable or disable the Bluetooth pairing voice prompts.

To change to AUX mode, press and release the Bluetooth button.

To disconnect a paired Bluetooth device, double press the Bluetooth button.

## Linking Two Pathfinder™ 320° Speakers

1. Power on both Pathfinder™ 320° speakers.
2. Be sure to disconnect any Bluetooth devices before attempting to link two speakers.
3. Press and hold the **Link** button to enter Stereo Link mode. Once a link has been established, the word **LINK** will appear in the display.  
**Note:** It may take up to 1 minute to make the connection.
4. Then, repeat this process on the other Pathfinder™ 320° speaker.
5. **To disconnect**, double press the **Link** button on one of the two Pathfinder™ 320° speakers.

## Using the Radio

1. Press the **Radio** button.
  - First press selects FM1
  - Second press selects FM2
  - Third press turns off the radio
2. Select a radio station using the </> buttons.

**Note:** Pause playback from or disable Bluetooth entirely before using the radio to prevent both audio signals from being active at the same time.

**To save a preset station**, press and hold one of the preset buttons 1-8.

**To recall a preset station**, press and release one of the preset buttons 1-8.

## App Control

**IMPORTANT:** To ensure the best possible experience with the app, use the most current Android OS or iOS on your device.

**Follow these steps to download the free app on your device:**

1. Open the Apple App Store or Google Play on your device. Then, search for the **ION Sound XP** app.
2. Follow the on-screen instructions to download and install the app. Once downloaded, the **ION Sound XP** app will appear on your device's home screen.
3. Connect your device to Pathfinder™ 320 via Bluetooth. See the [Pairing a Bluetooth Device](#) to learn how to do this.
4. Open the ION Sound XP™ app. If prompted, allow the app to access your device's Bluetooth and Location Services.
5. Tap to select **Add A Product** on the screen. The app will scan and find Pathfinder™ 320.  
If you are having issues connecting, tap **Help with setting up?** for additional tips.
6. Select the Pathfinder™ 320 icon to go to the next screen, where you can use the app to control various functions of the speaker such as:
  - **Radio:** Play the radio, change stations, and edit presets.
  - **EQ:** Adjust the speaker's equalization, and enable or disable Boom.
  - **Volume:** Adjust the speaker volume.
  - **Light Effect:** Choose the lighting effect from Color Cycle, Beat Sync, and Off.
  - **Battery Status:** Displays the battery level.
  - **Support:** Visit [ionaudio.com](http://ionaudio.com), contact Technical Support, and view Warranty information and Frequently Asked Questions.

## Troubleshooting

**If the unit is not charging:** Make sure the power cable is properly connected to the power input and the power outlet.

**If the sound is distorted:** Try lowering the volume control of your sound source.

**If there is too much bass:** Try adjusting the tone or EQ control on your sound source to lower the bass level. This will allow you to play the music louder before clipping (distortion) occurs.

**If you cannot connect your audio device to Pathfinder™ 320° via Bluetooth:**

- Have your audio device (e.g., smartphone or tablet) and Pathfinder™ 320° as close together as possible while trying to connect. Make sure both the audio device and Pathfinder™ 320° are unobstructed by walls, furniture, etc.
- Reset the Bluetooth connection on Pathfinder™ 320° to disconnect Pathfinder™ 320° from any other audio device and restart the search process. If this does not work right away, power off Pathfinder™ 320° and then power it back on. See [Pairing a Bluetooth Device](#) for more information.
- Reset the Bluetooth connection on your audio device by turning Bluetooth off and back on. You can find this under the Bluetooth menu in the Settings for your phone or other audio device.

If this does not work, and you have connected to Pathfinder™ 320° before, find Pathfinder™ 320° in the list of available or previously connected devices in your audio device's Bluetooth menu, tap the "gear" or "i" icon located next to it and then select **Unpair** or **Forget**. Turn Pathfinder™ 320° off and back on and try pairing again once it reappears in your available devices list.

**Note:** If Pathfinder™ 320° has been paired to another audio device recently that is still within range, you may need to repeat this process with that audio device to fully disconnect.

**If you experience audio dropouts while playing music from a Bluetooth device,** this may be happening because your unit is trying to link to another speaker. This can occur if you power off a speaker that was linked to your unit or if you have just turned on your unit and it is in Stereo-Link mode. To stop the audio dropouts, exit Stereo-Link mode by double-pressing the **Link button**. Alternatively, you can wait for your unit to link to another speaker if there is one within range.

**If you would like to stop your speaker from automatically linking when you power it on,** make sure you double-press the **Link button** to exit Stereo-Link mode before you power it off.

## Guía del usuario (Español)

### Introducción

#### Contenido de la caja

Pathfinder™ 320°

Cable de carga/energía (183 cm / 6 pies)

Guía de inicio rápido

#### Soporte

Para obtener la información más reciente acerca de este producto (documentación, especificaciones técnicas, requisitos de sistema, información de compatibilidad, etc.) y registrarlo, visite [ionaudio.com](http://ionaudio.com).

Para obtener soporte adicional del producto, visite [ionaudio.com/support](http://ionaudio.com/support).

#### Uso y cuidado a la intemperie

Aunque el Pathfinder™ 320° es resistente\* al agua y capaz de tolerar salpicaduras, lea las sugerencias que se incluyen a continuación para obtener el mejor rendimiento del Pathfinder™ 320°:

- El Pathfinder™ 320° sólo puede usarse en exteriores con tomas de corriente o cables de prolongación aptos para el uso en exteriores.
- Traiga a los Pathfinder™ 320° bajo techo durante condiciones meteorológicas extremas.
- No coloque el Pathfinder™ 320° sobre agua estancada.
- No conecte el cable de alimentación al Pathfinder™ 320° en un ambiente húmedo. Asegúrese de que la entrada para la entrada de alimentación, el cable de alimentación y la toma de corriente estén completamente secos antes de realizar cualquier conexión.
- **ADVERTENCIA:** Coloque los dispositivos no resistentes al agua (teléfonos, reproductores de música, etc.) en un lugar seco donde no sean afectados por el agua y causen un riesgo de electrocución.

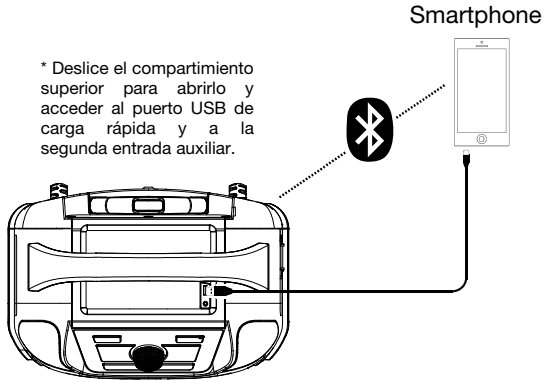
\* El compartimento no es resistente al agua y no se garantiza que impida el ingreso de la misma. ION no se responsabiliza de ningún daño material debido al mal uso del producto o al incumplimiento de estas instrucciones.

## Instalación

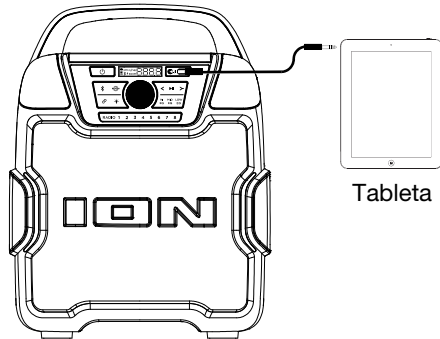
Los elementos que no se enumeran en [Introducción > Contenido de la caja](#) se venden por separado.

### Panel superior\*

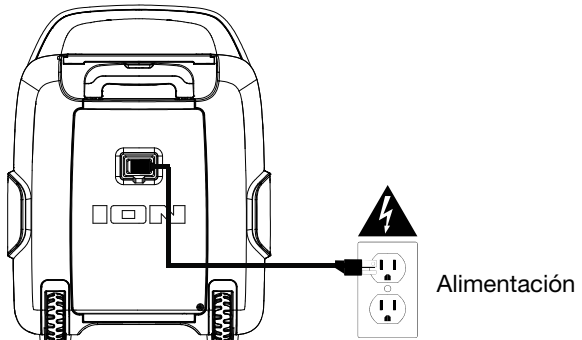
\* Deslice el compartimiento superior para abrirlo y acceder al puerto USB de carga rápida y a la segunda entrada auxiliar.



### Panel frontal

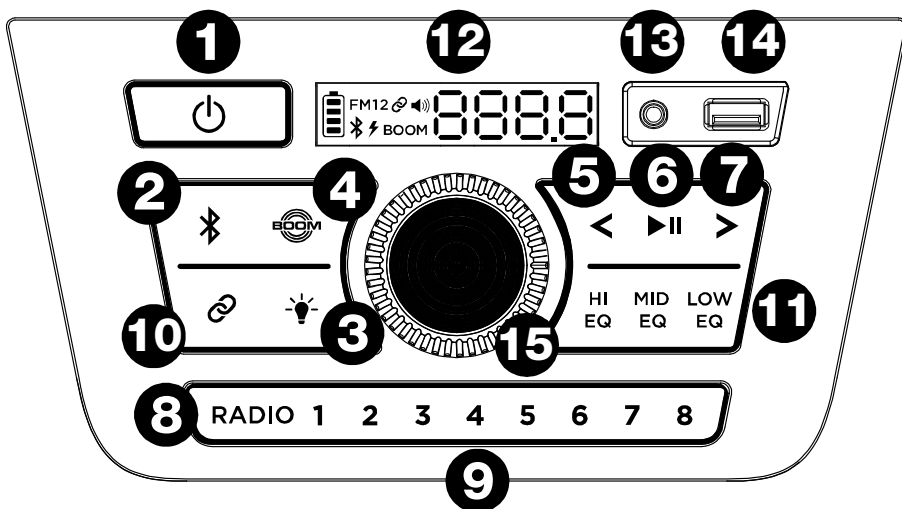


### Panel trasero



## Características

### Panel frontal



- Botón de encendido/apagado:** Mantenga pulsado este botón para encender o apagar el Pathfinder™ 320°. Mientras el Pathfinder™ 320° esté conectado a un suministro eléctrico, no es necesario encenderlo para que cargue la batería.
  - Botón de Bluetooth:** Pulse y suelte este botón para entrar al modo de apareamiento Bluetooth o para desconectar un dispositivo Bluetooth apareado y entrar al modo auxiliar. Mantenga pulsado este botón para deshabilitar o habilitar los avisos de voz del dispositivo. Una vez enlazados, pulse y suelte el botón para seleccionar un altavoz como el altavoz primario.
  - Botón de modo de luz:** Pulse este botón para seleccionar el funcionamiento de las luces del panel frontal:
    - **Ciclo de color:** Las luces brillan suavemente y cambian de un color a otro. Mantenga pulsado el botón de modo para congelar las luces en un color. Este es el modo predeterminado la primera vez que se enciende el Pathfinder™ 320°.
    - **Sincronización con el río:** Las luces reaccionan al río de la música.
    - **Apagadas:** Las luces se apagan.
  - Botón Boom™:** Presionado este botón para deshabilitar / volver a habilitar la plataforma de carga Qi. Presione este botón nuevamente para desactivar esta función.
  - Previous Track (Botón de pista anterior):** Presione este botón para sintonizar una estación de radio o ir a la pista anterior en un dispositivo conectado por Bluetooth. Mantenga pulsado en el modo de radio para buscar.
  - Next Track (Botón de pista siguiente):** Presione este botón para sintonizar una estación de radio o ir a la siguiente pista en un dispositivo conectado por Bluetooth. Mantenga pulsado en el modo de radio para buscar.
- Nota:** En algunas aplicaciones, pulsar los botones **Previous Track** (Pista anterior) o **Next Track** (Pista siguiente) hará que vaya a otra lista de reproducción o género musical.
- Botón de reproducir/pausa:** Pulse para reproducir o hacer pausa en una pista de un dispositivo Bluetooth conectado.
  - Botón de selector de radio:** Pulse este botón a ajusta la radio a FM1, FM2, o la apaga.

9. **Botones de programa de radio:** Memorice una emisora de radio favorita y sintonice rápidamente una emisora preprogramada. Hay 2 bancos de 8 posiciones numéricas cada uno para almacenar presets banda FM1 y FM2. En el modo de radio, guarde la estación actual como presintonizada presionando y manteniendo presionado un botón numerado. Presione un botón numerado para seleccionar una estación preestablecida previamente guardada.
10. **Botón de Enlace** Mantenga pulsado este botón para iniciar el enlace estéreo a otro Pathfinder™ 320°. Presiona dos veces este botón para desconectar en el otro altavoz. Consulte [Enlace dos altavoces Pathfinder 320°](#) para más detalles.
11. **Botones de EQ:** Pulse un botón **EQ** hasta que aparezca en la pantalla "HI" (frecuencias altas), "M" (frecuencias medias) o "LO" (frecuencias bajas). Gire la perilla de control a la izquierda o a la derecha para disminuir o aumentar la frecuencia seleccionada y luego pulse el mismo botón EQ para confirmar. Consulte más detalles en [Control de EQ](#).
12. **Pantalla:** Muestra la emisora de radio actual, el estado de la batería, el estado del Bluetooth y el estado del enlace.
  - **Icono estado de la batería:**
    - Con el indicador de carga de la batería, cuando el cable de alimentación está conectado, el movimiento de los segmentos de la batería muestra que se está cargando. Una vez completamente cargada, todos los segmentos de la batería estarán encendidos sin parpadear.
    - Cuando se desconecta el cable de corriente, el segmento de la batería muestra en nivel de la misma.
    - Cuando el nivel de la batería sea bajo, parpadeará el segmento inferior de la batería.
    - Si no se pulsa ningún botón del panel delantero en los siguientes 60 segundos, el indicador de nivel de batería se apagará (para ahorrar energía). El indicador de nivel de la batería volverá a aparecer cuando se pulse algún botón. Además, cuando la batería llegue al segmento más bajo del icono de la batería, el indicador de nivel de la batería volverá a encenderse.
  - **Icono del relámpago:**
    - El indicador de carga se encenderá cuando el cable de corriente esté conectado a una toma de corriente de pared.
    - Cuando la unidad se apaga y el cable del suministro eléctrico esté conectado, el indicador de carga se encenderá durante 5 segundos y luego se apagará para ahorrar energía. Para verificar el estado de carga, pulse y suelte rápidamente el botón de **encendido**; el indicador de carga se encenderá durante 5 segundos y luego se apagará.
    - Si la unidad se apaga y el cable del suministro eléctrico está conectado, el indicador de carga se enciende durante 5 segundos y luego se apaga para ahorrar energía.
  - **Icono de Bluetooth:** El icono de Bluetooth se enciende con luz azul continua cuando hay un dispositivo apareado al Pathfinder™ 320°.
  - **Icono de encendido:** El icono de encendido se encenderá cuando el Pathfinder™ 320° se encienda. Este icono de encendido no se encenderá cuando Pathfinder™ 320° está apagado.
  - **Icono de enlace:** El icono de enlace estará encendido cuando se haya concretado el enlace estéreo con otro altavoz. El icono de enlace estará apagado cuando se utilice un solo altavoz.
  - **Icono de volumen:** El icono de volumen se iluminará cuando se ajuste el **volumen Principal** y se apagará después de 3 segundos de no ajustarse.

13. **Entrada auxiliar:** abra la cubierta compartimento de goma para acceder a la entrada auxiliar y puerto USB. Esta entrada estéreo de 3.5 mm (1/8") se puede usar para conectar un reproductor de CD, reproductor de MP3 u otra fuente de audio.  
**Nota:** Cuando la cubierta compartimento de goma está abierta, la unidad no será resistente al agua. Asegúrese de que el Pathfinder™ 320° y las conexiones estén secas antes de cargar. Nunca cargue cuando la unidad esté mojada.
14. **Puerto de carga USB:** Conecte aquí el cable de carga de su dispositivo para cargarlo. La carga por USB funciona solamente cuando la unidad está encendida.
15. **Perilla de control:** Ajusta el volumen de mezcla principal del altavoz, que incluye la entrada auxiliar, la radio y el audio de un dispositivo Bluetooth emparejado. Gire esta perilla en el modo EQ para ajustar las frecuencias de agudos y graves.

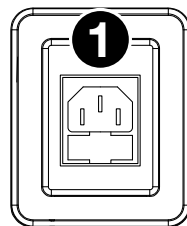
## Panel superior



1. **Puerto USB de carga rápida:** Deslice abra el compartimento superior para acceder al puerto USB. Conecte aquí el cable de carga de su dispositivo para obtener una velocidad de carga más rápida (5 V, 2,2 A). La carga USB solo funciona cuando la unidad está encendida.
2. **Segunda entrada auxiliar:** Deslice abra el compartimento superior para acceder a esta entrada auxiliar. Esta entrada estéreo de 3,5 mm (1/8") se puede utilizar para conectar un reproductor de CD, MP3 u otra fuente de audio.

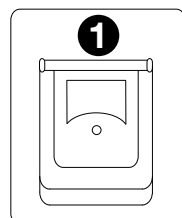
## Panel trasero

1. **Suministro eléctrico:** Inserte aquí el cable de alimentación incluido para cargar la unidad.



## Panel lateral

1. **Destapador de botellas:** Utilícelo para destapar sus bebidas favoritas.



## Funcionamiento

### Modo de luz

Cuando Pathfinder™ 320° se enciende por primera vez, las luces estarán en **modo ciclo de Color** y comenzarán a desvanecerse lentamente de un color a otro. Para hacer una pausa en un determinado color, mantenga presionado el botón **Light** durante 1 segundo. Para ingresar al modo **Beat Sync** y hacer que las luces reaccionen al ritmo de la música, presione y suelte el botón **Light**. Presione el botón **Light** nuevamente para apagar las luces.

### Control de EQ

#### EQ de frecuencias altas:

1. Pulse el botón de EQ de frecuencias altas. Aparecerá "HI" en la pantalla para indicar las frecuencias altas.
2. Para disminuir las frecuencias altas, gire el codificador hacia la izquierda.
3. Para aumentar las frecuencias altas, gire el codificador hacia la derecha.
4. Pulse el botón EQ de frecuencias altas para confirmar o espere 3 segundos para que la pantalla regrese a la pantalla principal.

#### EQ de frecuencias medias:

1. Pulse el botón de EQ de frecuencias medias. Aparecerá "M" en la pantalla para indicar las frecuencias medias.
2. Para disminuir las frecuencias medias, gire el codificador hacia la izquierda.
3. Para aumentar las frecuencias medias, gire el codificador hacia la derecha.
4. Pulse el botón EQ de frecuencias medias para confirmar o espere 3 segundos para que la pantalla regrese a la pantalla principal.

#### EQ de frecuencias bajas:

1. Pulse el botón de EQ de frecuencias bajas. Aparecerá "LO" en la pantalla para indicar las frecuencias bajas.
2. Para disminuir las frecuencias bajas, gire el codificador hacia la izquierda.
3. Para aumentar las frecuencias bajas, gire el codificador hacia la derecha.
4. Pulse el botón EQ de frecuencias bajas para confirmar o espere 3 segundos para que la pantalla regrese a la pantalla principal.

### Cómo aparearse un dispositivo de Bluetooth

1. Asegúrese de que el altavoz se encuentre dentro del alcance de su dispositivo Bluetooth (no más de 100 pies / 30,5 m de distancia). Si no hay conexión luego de 90 segundos, el altavoz dejará de buscar dispositivos Bluetooth y entrará a modo AUX.
2. Pulse el **botón Bluetooth** del altavoz.
3. Navegue a la pantalla de configuración de su dispositivo Bluetooth. Luego busque y seleccione **Pathfinder 320°**. No conecte al **iPA159\_BLE**. Si su dispositivo Bluetooth solicita un código de apareamiento, ingrese **0000**.

**Nota:** Si ya lo había conectado a su dispositivo Bluetooth previamente, el Pathfinder™ 320° se reconectará.

**Consejo:** Pulse el **botón Bluetooth** para activar o desactivar los avisos de voz relacionados con el apareamiento Bluetooth.

Para cambiar a modo AUX, pulse y suelte el botón Bluetooth.

Para desconectar un dispositivo Bluetooth apareado, pulse el dos veces **botón Bluetooth**.

## Enlace dos altavoces Pathfinder™ 320°

1. Encienda ambos altavoces Pathfinder™ 320°.
2. Asegúrese de desconectar cualquier dispositivo Bluetooth antes de intentar enlazar dos altavoces.
3. Mantenga presionado el botón **Link** para ingresar al modo Stereo Link. Una vez que se ha establecido un enlace, la palabra **LINK** aparecerá en la pantalla.  
**Nota:** La conexión puede demorar hasta 1 minuto.
4. Luego, repita este proceso en el otro altavoz Pathfinder™ 320°.
5. **Para desconectarse**, presione dos veces el botón **Link** en uno de los dos altavoces Pathfinder™ 320°.

## Usando la radio

1. Presione el botón de **Radio**.
  - La primera presión selecciona FM1
  - La segunda pulsación selecciona FM2
  - La tercera presión apaga la radio
2. Seleccione una estación de radio con los botones </>.

**Nota:** Detenga la reproducción o deshabilite el Bluetooth por completo antes de utilizar la radio para evitar que ambas señales de audio estén activas al mismo tiempo.

**Para guardar una estación preestablecida**, mantenga presionado uno de los botones preestablecidos 1-8.

**Para recuperar una estación presintonizada**, presione y suelte uno de los botones preestablecidos 1-8.

## Control de aplicación

**IMPORTANTE:** Para asegurarse la mejor experiencia posible con la aplicación, utilice el Android OS o IOS más actualizado en su dispositivo.

**Siga los pasos indicados a continuación para descargar la aplicación a su dispositivo:**

1. En su dispositivo, vaya a la tienda de aplicaciones respectiva de Apple o Google Play. Luego busque la aplicación gratuita **ION Sound XP**.
2. Siga las instrucciones que aparecen en la pantalla para descargar e instalar la aplicación. Una vez descargada, la aplicación **ION Sound XP** aparecerá en la pantalla de inicio de su dispositivo.
3. Conecte su dispositivo al altavoz Pathfinder™ 320° mediante Bluetooth. Consulte **Cómo aparear un dispositivo de Bluetooth** para saber cómo hacer esto.
4. Abra la aplicación ION Sound XP™. Si se le pide elegir, permita a la aplicación acceder a los servicios de Bluetooth y ubicación de su dispositivo.
5. Toque para seleccionar **Add A Product** en la pantalla. La aplicación escaneará y encontrará Pathfinder™ 320°.

Si tiene problemas para conectarse, toque **¿Necesita ayuda para la configuración?** para obtener consejos adicionales.

6. Seleccione el icono **Pathfinder™ 320°** para pasar a la próxima pantalla, en donde podrá utilizar la aplicación para controlar diversas funciones del altavoz tales como:
  - **Radio:** Reproducir la radio, cambiar estaciones y editar presets.
  - **Ecuación:** Ajustar la ecualización del altavoz y activar o desactivar el Boom.
  - **Volumen:** Ajustar el volumen del altavoz.
  - **Efectos de iluminación:** Seleccione el efecto de iluminación entre ciclo de colores, sincronización con el ritmo y desactivado.
  - **Estado de la batería:** Muestra el nivel de la batería.
  - **Soporte:** Visite [ionaudio.com](http://ionaudio.com), contáctese con soporte técnico y obtenga información sobre la garantía y preguntas frecuentes.

## Solución de problemas

**Si la unidad no se carga:** Asegúrese de que el cable de alimentación esté conectado correctamente a la entrada de corriente y a la toma de corriente.

**Si el sonido está distorsionado:** Pruebe bajando el control de volumen de su fuente de sonido.

**Si los graves son demasiado fuertes:** Intente ajustando el control de tono o ecualización de su Pathfinder™ 320° o fuente de sonido para reducir el nivel de graves. De esta forma podrá reproducir la música con más volumen antes de que se produzca el recorte (distorsión).

**Si no puede conectar su dispositivo de audio al Pathfinder™ 320° mediante Bluetooth:**

- Mantenga su dispositivo de audio (por ej., teléfono inteligente [smartphone] o tableta) y el Pathfinder™ 320° lo más cerca posible entre sí al realizar la conexión. Asegúrese que tanto el dispositivo de audio como el Pathfinder™ 320° no estén obstruidos por paredes, muebles, etc.
- Reinicie la conexión Bluetooth del Pathfinder™ 320° para desconectarlo Pathfinder™ 320° de cualquier otro dispositivo de audio y reinicie el proceso de búsqueda. Si esto no funciona en seguida, apague el Pathfinder™ 320° y luego vuelva a encenderlo. Para más información, consulte [Cómo aparear un dispositivo de Bluetooth](#).
- Reinicie la conexión Bluetooth de su dispositivo de audio apagando el Bluetooth y luego volviendo a encenderlo. Puede encontrar esta opción dentro del menú Bluetooth en los ajustes de su teléfono o dispositivo de audio.

Si esto no funciona y ya se había conectado al Pathfinder™ 320° anteriormente, busque Pathfinder™ 320° en la lista de dispositivos disponibles o previamente conectados en el menú Bluetooth de su dispositivo de audio, toque el icono de engranaje o "i" ubicado junto a él y luego seleccione **Desaparear** u **Olvidar**. Apague el Pathfinder™ 320°, luego vuelva a encenderlo e intente aparearlo nuevamente una vez que vuelva a aparecer en su lista de dispositivos disponibles.

**Nota:** Si Pathfinder™ 320° ya ha sido recientemente apareado con otro dispositivo de audio que aún se encuentre dentro del alcance, es posible que tenga que repetir este proceso con ese dispositivo de audio para desconectarlo completamente.

**Si experimenta cortes en el audio al reproducir música desde un dispositivo Bluetooth,** es posible que esto suceda debido a que su unidad está intentando enlazarse con otro altavoz. Esto puede ocurrir si apaga un altavoz que estaba enlazado con su unidad o si acaba de encender su unidad y la misma se encuentra en modo Stereo-Link. Para detener los cortes de audio, salga del modo Stereo-Link pulsando dos veces el **botón Link**. Como alternativa, puede esperar a que su unidad se enlace con otro altavoz si es que hay uno dentro del alcance.

**Si desea impedir que su unidad se enlace automáticamente cuando la enciende,** asegúrese de pulsar dos veces el **botón Link** para salir del modo Stereo-Link antes de apagarlo.

## Guide d'utilisation rapide (Français)

### Présentation

#### Contenu de la boîte

Pathfinder<sup>MC</sup> 320°

Câble d'alimentation (183 cm)

Guide d'utilisation rapide

### Assistance

Pour les toutes dernières informations concernant la documentation, les spécifications techniques, la configuration requise, la compatibilité et l'enregistrement du produit, veuillez visiter [ionaudio.com](http://ionaudio.com).

Pour de l'assistance supplémentaire, veuillez visiter [ionaudio.com/support](http://ionaudio.com/support).

### Utilisation et entretien

Bien que l'enceinte Pathfinder<sup>MC</sup> 320° soit résistante\* à l'eau et tolère les éclaboussures, les conseils ci-dessous qui vous permettront de tirer le maximum de votre Pathfinder<sup>TM</sup> 320° :

- L'enceinte Pathfinder<sup>MC</sup> 320° doit être rentrée à l'intérieur lors de conditions météorologiques extrêmes.
- Veuillez ne pas placer la Pathfinder<sup>MC</sup> 320° dans l'eau stagnante.
- Veuillez ne pas utiliser le câble d'alimentation avec la Pathfinder<sup>MC</sup> 320° lorsqu'elle se trouve dans un environnement humide. Veuillez vous assurer que l'entrée d'alimentation, le câble d'alimentation et la prise secteur soient tous complètement secs avant d'effectuer tout raccordement.
- **MISE EN GARDE** : Gardez tout appareil non étanche (téléphones, lecteurs, etc.) dans un endroit sec à l'abri des éclaboussures et des risques de décharges électriques.

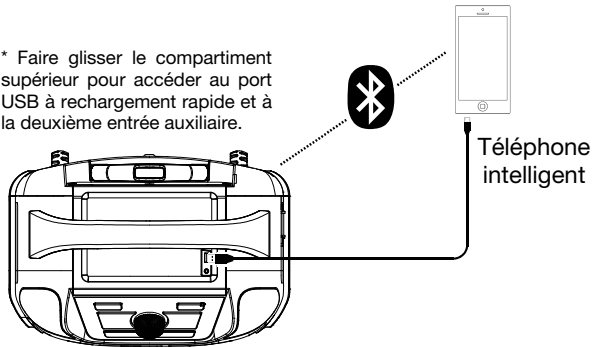
\*Le compartiment est non résistant à l'eau et n'offre aucune garantie contre les infiltrations d'eau. ION n'est pas responsable des dommages aux biens personnels causés par une mauvaise utilisation du produit ou résultants de l'inobservation de ces instructions.

## Installer

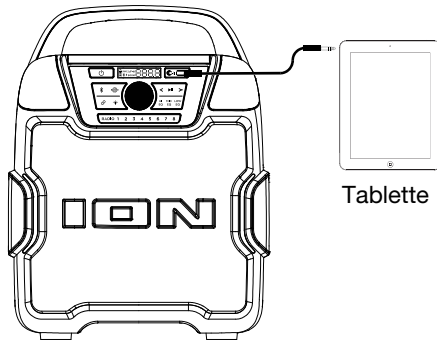
Les éléments qui ne figurent pas dans la section *Présentation > Contenu de la boîte* sont vendus séparément.

### Panneau supérieur\*

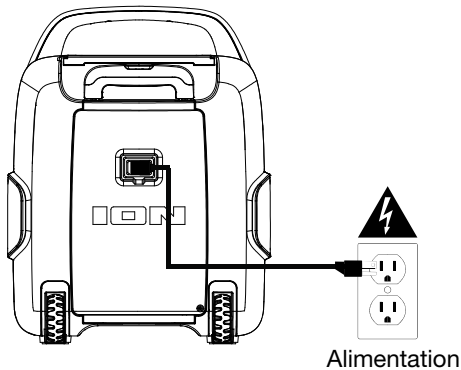
\* Faire glisser le compartiment supérieur pour accéder au port USB à rechargement rapide et à la deuxième entrée auxiliaire.



### Panneau avant

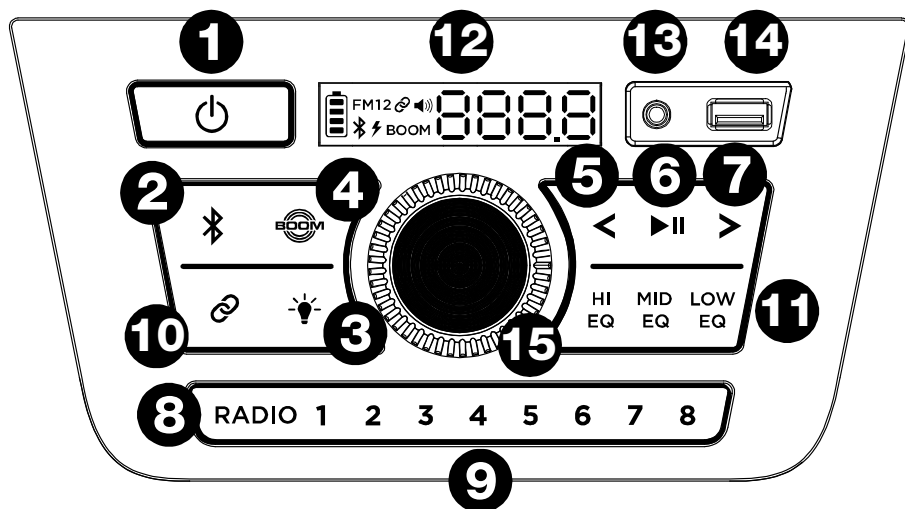


### Panneau arrière



## Caractéristiques

### Panneau avant



1. **Touche Marche / Arrêt** : Maintenez cette touche enfoncé pour allumer / éteindre Pathfinder<sup>MC</sup> 320°. Bien que Pathfinder<sup>MC</sup> 320° soit connecté à une source d'alimentation, il n'a pas besoin d'être mis sous tension pour charger la batterie.
  2. **Touche Bluetooth** : Appuyer puis relâcher cette touche pour jumeler et de déjumeler un appareil Bluetooth et passer au mode auxiliaire. Maintenir cette touche enfoncée pour désactiver et réactiver les messages vocaux. Lorsque l'enceinte est reliée, appuyer puis relâcher cette touche pour définir l'enceinte comme enceinte principale.
  3. **Touche de mode d'éclairage** : Appuyez sur cette touche pour sélectionner la façon dont les lumières du panneau avant fonctionnent :
    - **Color Cycle** : Les lumières brillent et défilent à travers toutes les couleurs. Maintenez la touche du mode d'éclairage enfoncée afin que les lumières s'allument d'une seule couleur.
    - **Beat Sync** : Les lumières se synchronisent au rythme de la musique.
    - **Off** : Les lumières sont éteintes. C'est le mode par défaut lors de la mise sous tension initiale de la Pathfinder<sup>MC</sup> 320°.
  4. **Touche Boom<sup>MC</sup>** : Appuyez sur cette touche permet d'augmenter la réponse en basse fréquence.
  5. **Touche de piste précédente** : Appuyez sur cette touche pour syntoniser une station de radio ou passer à la piste précédente sur un appareil connecté Bluetooth. Appuyez et maintenez en mode radio pour rechercher.
  6. **Touche de piste suivante** : Appuyez sur ce touche pour syntoniser une station de radio ou passer à la piste suivante sur un appareil connecté Bluetooth. Appuyez et maintenez en mode radio pour rechercher.
- Remarque** : avec certaines applications, appuyez sur la touche **Piste précédente** ou **Piste suivante** pour accéder à une autre liste de lecture ou à un autre genre de musique.
7. **Lancer/interrompre la lecture** : Appuyer sur cette touche permet de lancer la lecture ou d'interrompre la lecture d'une piste sur un appareil Bluetooth connecté.
  8. **Sélecteur de bande radio** : Appuyez sur cette touche permet de commuter entre la bande FM et AM et d'éteindre la radio.

9. **Touches de préréglage de la radio** : Enregistrez une station de radio préférée et syntonisez rapidement une station de radio préréglée. Il y a 2 banques de 8 positions numériques chacune pour stocker les préréglages de bande FM1 et FM2. En mode radio, enregistrez la station actuelle comme préréglage en appuyant sur une touche numérotée et en la maintenant enfoncée. Appuyer sur une touche numérotée pour sélectionner une station préréglée précédemment enregistrée.
10. **Touche Link** : Appuyez sur cette touche et maintenez-le enfoncé pour démarrer la liaison stéréo avec un autre Pathfinder™ 320°. Appuyez deux fois sur ce touche pour déconnecter le lien vers l'autre haut-parleur. Voir **Liaison de deux enceintes Pathfinder™ 320°** pour plus de détails.
11. **Touches EQ** : Appuyer sur une des touches **EQ** jusqu'à ce que l'écran affiche « HI » (hautes fréquences), « M » (moyennes fréquences) ou « LO » (basses fréquences). Tourner le bouton de commande vers la gauche ou vers la droite pour diminuer ou augmenter la fréquence sélectionnée, puis appuyer de nouveau sur la même touche EQ pour confirmer la sélection. Veuillez consulter la section **Contrôle des EQ** afin d'en savoir plus.
12. **Écran** : Cet écran affiche la station de radio actuelle, l'état de la batterie et l'état Bluetooth.
- **Icône d'état de la batterie** :
    - Lorsque le câble d'alimentation est connecté, le mouvement des segments de batterie indique que la batterie est en charge. Lorsqu'elle est complètement chargée, tous les segments de batterie seront allumés sans clignoter.
    - Lorsque le câble d'alimentation est débranché, le segment de batterie indique le niveau de la batterie.
    - Lorsque le niveau de la batterie est faible, le segment inférieur de la batterie clignote.
    - Si une touche du panneau avant n'est pas enfoncé dans les 60 secondes, l'indicateur de niveau de batterie s'éteint (pour économiser de l'énergie). L'indicateur de niveau de batterie réapparaîtra lorsque vous appuyez sur n'importe quel bouton. De plus, lorsque la batterie atteint le segment d'icône de batterie le plus bas, l'indicateur de niveau de batterie se rallume.
  - **Icône représentant un éclair** :
    - L'indicateur de charge s'allume lorsque le câble d'alimentation est connecté à l'alimentation murale.
    - Lorsque l'appareil est éteint et que le câble d'alimentation est connecté, l'indicateur de charge s'allume pendant 5 secondes, puis s'éteint pour économiser de l'énergie. Pour vérifier l'état de charge, appuyez et relâchez rapidement la touche **d'alimentation**; l'indicateur de charge s'allumera pendant 5 secondes, puis s'éteindra.
    - Si l'appareil est mis hors tension alors que le câble d'alimentation est connecté, l'indicateur de charge s'allumera pendant 5 secondes, puis s'éteindra pour économiser de l'énergie.
  - **Icône de lien** : l'icône de lien sera allumée lorsqu'elle est liée en stéréo à une autre enceinte. L'icône de liaison sera désactivée lorsqu'un seul haut-parleur est utilisé.
  - **Icône de volume** : L'icône de volume sera allumée lorsque le **volume principal** est ajusté et s'éteint après 3 secondes d'inactivité.
13. **Entrée auxiliaire** : Ouvrez le capot compartiment en caoutchouc pour accéder au entrée auxiliaire et port USB. Cette entrée stéréo 3,5 mm (1/8") peut être utilisée pour connecter un lecteur CD, un lecteur MP3 ou une autre source audio.
- Remarque** : Lorsque le couvercle compartiment en caoutchouc est ouvert, l'appareil ne sera pas résistant à l'eau. Assurez-vous que le Pathfinder<sup>MC</sup> 320° et les connexions sont secs avant de le charger. Ne chargez jamais lorsque l'appareil est mouillé.
14. **Port de chargement USB** : Branchez le câble de rechargement de votre appareil à ce port pour le recharger. Le rechargement de la batterie par la connexion USB fonctionne uniquement lorsque l'appareil est sous tension.
15. **Bouton de contrôle** : Règle le volume du mixage principal de l'enceinte, qui comprend l'entrée auxiliaire, la radio et l'audio d'un périphérique Bluetooth couplé. Tournez ce bouton en mode EQ pour régler les fréquences aiguës et graves.

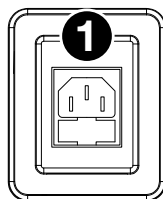
## Panneau supérieur



1. **Port USB à chargement rapide** : Faire glisser ouvrez le compartiment supérieur pour accéder au port USB. Branchez ici le câble de charge de votre appareil pour un taux de charge plus rapide (5 V, 2,2 A). Le chargement USB ne fonctionne que lorsque l'appareil est sous tension.
2. **Entrée Aux** : Faire glisser ouvrez le compartiment supérieur pour accéder à cette entrée Aux. Cette entrée stéréo 3,5 mm (1/8") peut être utilisée pour connecter un lecteur CD, un lecteur MP3 ou une autre source audio.

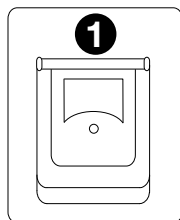
## Panneau arrière

1. **Alimentation** : Insérez ici le câble d'alimentation fourni pour charger l'unité.



## Panneau latéral

1. **Ouvre-bouteille** (non illustré): utilisez-le pour ouvrir les bouteilles de vos boissons préférées.



## Opération

### Mode lumière

Lorsque Pathfinder<sup>MC</sup> 320° est allumé pour la première fois, les lumières seront en mode **Cycle de couleurs** et commenceront à s'estomper lentement d'une couleur à l'autre. Pour faire une pause sur une certaine couleur, maintenez la touche **Light** enfoncé pendant 1 seconde. Pour entrer en mode **Beat Sync** et faire réagir les lumières au rythme de la musique, appuyez et relâchez le bouton **Light**. Appuyez à nouveau sur la touche **Light** pour éteindre les lumières.

### Contrôle des EQ

#### Égalisation hautes fréquences (HI EQ) :

1. Appuyez sur la touche HI EQ. « HI » s'affichera pour indiquer les hautes fréquences.
2. Pour diminuer la réponse en hautes fréquences, tournez l'encodeur vers la gauche.
3. Pour augmenter la réponse en hautes fréquences, tournez l'encodeur vers la droite.
4. Appuyez de nouveau sur la touche HI EQ pour confirmer la sélection ou attendez 3 secondes que la fenêtre principale s'affiche.

#### Égalisation moyennes fréquences (MID EQ) :

1. Appuyez sur la touche MID EQ. « M » s'affichera pour indiquer les moyennes fréquences.
2. Pour diminuer la réponse en moyennes fréquences, tournez l'encodeur vers la gauche.
3. Pour augmenter la réponse en moyennes fréquences, tournez l'encodeur vers la droite.
4. Appuyez de nouveau sur la touche MID EQ pour confirmer la sélection ou attendez 3 secondes que la fenêtre principale s'affiche.

#### Égalisation des basses fréquences (LOW EQ) :

1. Appuyez sur la touche LOW EQ. « LO » s'affichera pour indiquer les basses fréquences.
2. Pour diminuer la réponse en basses fréquences, tournez l'encodeur vers la gauche.
3. Pour augmenter la réponse en basses fréquences, tournez l'encodeur vers la droite.
4. Appuyez de nouveau sur la touche LOW EQ pour confirmer la sélection ou attendez 3 secondes que la fenêtre principale s'affiche.

## Jumelage d'un appareil Bluetooth

1. Assurez-vous que l'enceinte est à portée de votre appareil Bluetooth (pas plus de 30,5 m). Si après 90 secondes la connexion n'est pas établie, l'enceinte cesse de rechercher les appareils Bluetooth et passe en mode auxiliaire.
2. Appuyez la **touche Bluetooth** sur l'enceinte.
3. Accédez à l'écran de configuration de votre appareil Bluetooth. Ensuite, recherchez et sélectionnez **Pathfinder 320°**. Ne branchez pas à **iPA159\_BLE**. Si votre appareil Bluetooth vous demande un code de jumelage, entrez 0000.

**Remarque :** Si vous vous êtes déjà connecté à votre appareil Bluetooth, Pathfinder<sup>MC</sup> 320° se reconnectera automatiquement.

**Conseil :** Appuyez sur la **touche Bluetooth** pour activer ou désactiver les invites vocales de jumelage Bluetooth.

Pour passer en mode auxiliaire, appuyez et relâchez la touche Bluetooth.

Pour déconnecter un appareil Bluetooth jumelé, appuyez deux fois sur la **touche Bluetooth**.

## Liaison de deux enceintes Pathfinder<sup>TM</sup> 320°

1. Allumez les deux enceintes Pathfinder<sup>MD</sup> 320°.
2. Assurez-vous de déconnecter tout appareil Bluetooth avant d'essayer de lier deux haut-parleurs.
3. Appuyez sur la touche **Link** et maintenez-le enfoncé pour passer en mode Stereo Link. Une fois qu'un lien a été établi, le mot **LINK** apparaît à l'écran.

**Remarque :** L'établissement de la connexion peut prendre jusqu'à 1 minute.

4. Ensuite, répétez ce processus sur l'autre enceinte Pathfinder<sup>TM</sup> 320°.
5. **Pour vous déconnecter**, appuyez deux fois sur la touche Link sur l'une des deux enceintes Pathfinder<sup>TM</sup> 320°.

## Utilisation de la radio

1. Appuyez sur la touche Radio.
  - La première pression sélectionne FM1
  - La deuxième pression sélectionne FM2
  - Une troisième pression éteint la radio
2. Sélectionnez une station de radio à l'aide des touches </>.

**Remarque :** Interrompez la lecture ou désactivez complètement la fonction Bluetooth avant d'utiliser la radio afin d'éviter que les deux signaux audio soient actifs en même temps.

**Pour enregistrer une station pré-réglée**, maintenez enfoncée l'une des touches de pré-réglage 1-8.

**Pour rappeler une station pré-réglée**, appuyez et relâchez l'une des touches de pré-réglage 1-8.

## Contrôle d'application

**IMPORTANT** : Afin de profiter de la meilleure expérience possible avec l'application, assurez-vous d'avoir la toute dernière version Android OS ou iOS sur votre appareil.

Veillez suivre les étapes ci-dessous afin de télécharger l'application sur votre appareil :

1. Accédez au Apple App Store ou à Google Play à partir de votre appareil. Recherchez l'application **ION Sound XP<sup>MC</sup>**.
2. Suivez ensuite les consignes à l'écran afin de la télécharger et de l'installer. Une fois téléchargée, l'application **ION Sound XP<sup>MC</sup>** s'affiche sur la fenêtre d'accueil de votre appareil.
3. Connectez votre appareil à Pathfinder<sup>MC</sup> 320° via Bluetooth. Veuillez consulter la section ***Jumelage d'un appareil Bluetooth*** pour savoir comment procéder.
4. Ouvrez l'application ION Sound XP<sup>MC</sup>. Si vous y êtes invité, autorisez l'application à accéder aux services Bluetooth et de localisation de votre appareil.
5. Appuyez sur pour et sélectionnez **Add A Product** sur l'écran. L'application va scanner et trouver Pathfinder<sup>MC</sup> 320°.

Si vous éprouvez des problèmes de connexion, appuyez sur « **Help with setting up?** » afin d'obtenir des conseils supplémentaires.

6. Sélectionnez l'icône Pathfinder<sup>MC</sup> 320° pour passer à la fenêtre suivante, où vous pouvez utiliser l'application pour contrôler diverses fonctions de l'enceinte comme :
  - **Radio** : Ce réglage permet d'écouter la radio, de changer la station et de modifier les préséglages.
  - **Égalisation** : Ce réglage permet d'ajuster l'égalisation de l'enceinte et d'activer et de désactiver la fonction Boom.
  - **Volume** : Ce réglage permet d'ajuster le volume de l'enceinte.
  - **Effets d'éclairage** : Sélectionnez l'effet d'éclairage parmi les modes Color Cycle, Beat Sync et éteint.
  - **État de la batterie** : Affiche le niveau de charge de la batterie.
  - **Assistance technique** : Ce réglage permet d'accéder à [ionaudio.com](http://ionaudio.com), de contacter l'assistance technique et de consulter les informations de garantie et les questions fréquemment posées.

## Dépannage

**Si l'appareil ne se recharge pas :** Veuillez vous assurer que le câble d'alimentation secteur est correctement branché à l'entrée d'alimentation et à une prise secteur.

**Lorsqu'il y a de la distorsion :** Essayez de diminuer le volume sur l'appareil d'entrée audio ou l'instrument de musique. Essayez également de diminuer le volume de la Pathfinder<sup>MC</sup> 320°.

**Lorsqu'il y a trop de basses fréquences :** Essayez de régler le niveau de tonalité et d'égalisation de la Pathfinder<sup>MC</sup> 320° ou de la source d'entrée audio afin de diminuer le niveau des basses fréquences. Cela vous permettra d'augmenter le volume de la musique avant que l'écrêtage se produise.

**Si vous ne pouvez connecter votre appareil audio à la Pathfinder<sup>MC</sup> 320° par connexion Bluetooth :**

- Veillez à ce que votre appareil audio (p. ex., téléphone intelligent ou tablette) et la Pathfinder<sup>MC</sup> 320° soient le plus près possible l'un de l'autre lors du jumelage. Veillez également à ce qu'aucun obstacle ne se trouve entre l'appareil audio et la Pathfinder<sup>MC</sup> 320°, comme des murs, des meubles, etc.
- Réinitialisez la connexion Bluetooth sur la Pathfinder<sup>MC</sup> 320° afin de supprimer toute connexion à la Pathfinder<sup>MC</sup> 320° et recommencer le processus de recherche d'appareil. Si cela ne fonctionne pas immédiatement, mettez la Pathfinder<sup>MC</sup> 320° hors tension et de nouveau sous tension. Veuillez consulter la section [Jumelage d'un appareil Bluetooth](#) afin d'en savoir plus.
- Réinitialisez la connexion Bluetooth sur l'appareil audio en désactivant et réactivant la connexion Bluetooth. Vous pouvez effectuer ceci à partir du menu Bluetooth dans les réglages de votre téléphone intelligent ou autre appareil audio.

Si cela ne fonctionne pas et que vous avez déjà connecté votre appareil à la Pathfinder<sup>MC</sup> 320° auparavant, veuillez rechercher la Pathfinder<sup>MC</sup> 320° dans la liste des appareils disponibles ou précédemment connectés dans le menu Bluetooth de votre appareil audio, puis appuyer sur l'icône engrenage ou « i » située à côté de « Oublier cet appareil ». Mettez la Pathfinder<sup>MC</sup> 320° hors tension et de nouveau sous tension et réessayez de la jumeler une fois qu'elle apparaît dans la liste des appareils disponibles.

**Remarque :** Si la Pathfinder<sup>MC</sup> 320° a été récemment jumelée à un autre appareil audio qui est toujours dans son champ de portée, il se peut que vous deviez répéter ce processus avec cet appareil audio afin de supprimer la connexion.

**Si vous éprouvez des pertes audio lorsque vous écoutez de la musique à partir d'un appareil Bluetooth,** il se peut que la Pathfinder<sup>MC</sup> 320° tente de se connecter à une autre enceinte. Ceci peut se produire lorsque vous éteignez une enceinte reliée à la Pathfinder<sup>MC</sup> 320° ou lorsque vous venez tout juste d'allumer celle-ci et qu'elle est en mode Link. Pour supprimer les pertes audio, quittez le mode Link en appuyant deux fois sur la **touche Link**. Vous pouvez également attendre qu'elle se connecte à une autre enceinte s'il y en a une à sa portée.

**Si vous souhaitez éviter que l'enceinte tente de se connecter automatiquement lorsque vous la mettez sous tension,** assurez-vous d'appuyer deux fois sur la **touche Link** pour quitter le mode Link avant de la mettre hors tension.

## Appendix (English)

### Technical Specifications

<b>Output Power</b>	120 W (Peak)
<b>Frequency Response</b>	65 Hz – 16 kHz (-3 dB)
<b>Speaker</b>	Tweeters: (2) 3" / 76.2 mm on each side; (2) 1" / 25.4 mm angled up from top front corners Woofer: 8" / 203.2 mm
<b>Bluetooth Specifications</b>	<b>Profile:</b> A2DP, AVRCP <b>Module:</b> Bluetooth 5.0 <b>Range:</b> Up to 100 feet / 30.5 meters
<b>Water Resistance Class</b>	IPX5
<b>Power</b>	<b>Connection:</b> IEC320 C13 <b>Input Voltage:</b> 100–240 V AC, 50/60 Hz
<b>Battery</b>	<b>Type:</b> 12V, 7Ah sealed lead acid battery <b>Battery life:</b> Up to 100 hours <b>Recharge time:</b> Up to 10 hours
<b>Aux Input</b>	3.5 mm (1/8") line-level
<b>Charge Port</b>	(1) Under rubber cover: 5V, 1A (1) In compartment: 5V, 2.2A
<b>Dimensions</b> (width x depth x height)	15.1" x 10.4" x 19.4" / 383.6 x 265 x 493.1 mm
<b>Weight</b>	22.7 lbs. / 10.3 kg

Specifications are subject to change without notice. Bluetooth and wireless reception and range are affected by walls, obstructions, and movement. For optimal performance, place the product in the center of the room so it is unobstructed by walls, furniture, etc. Battery life may vary based on temperature, age, and volume usage of product.

### Trademarks & Licenses

ION Audio is a trademark of inMusic Brands, Inc., registered in the U.S. and other countries. App Store is a trademark of Apple Inc., registered in the U.S. and other countries. Android and Google Play are registered trademarks of Google Inc. The *Bluetooth* word mark and logos are owned by the Bluetooth SIG, Inc. and any use of such marks by ION Audio is under license. All other product names, company names, trademarks, or trade names are those of their respective owners.

ionaudio.com