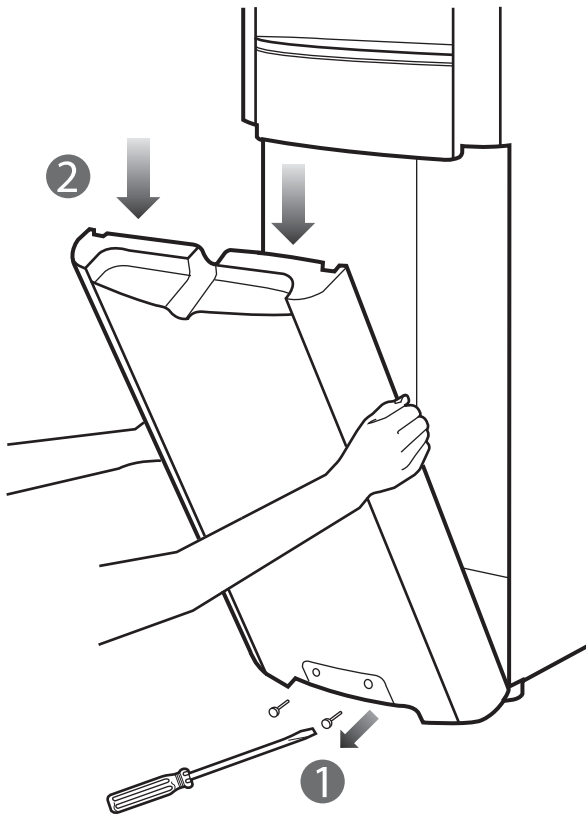
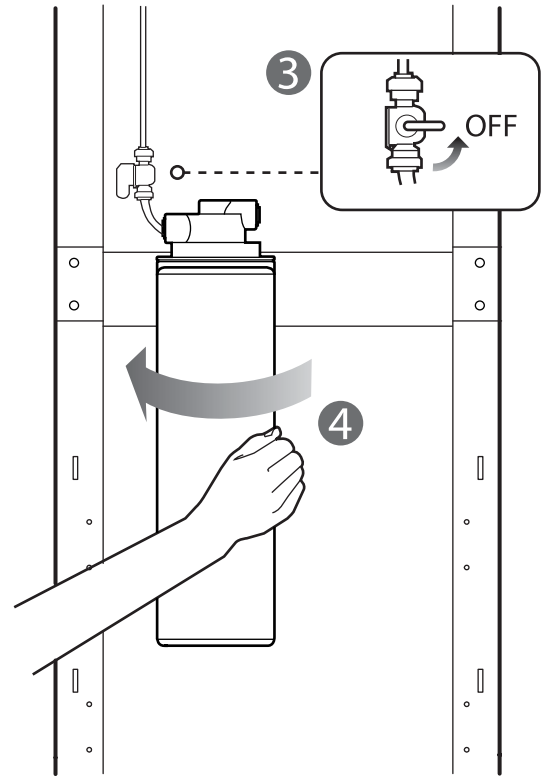


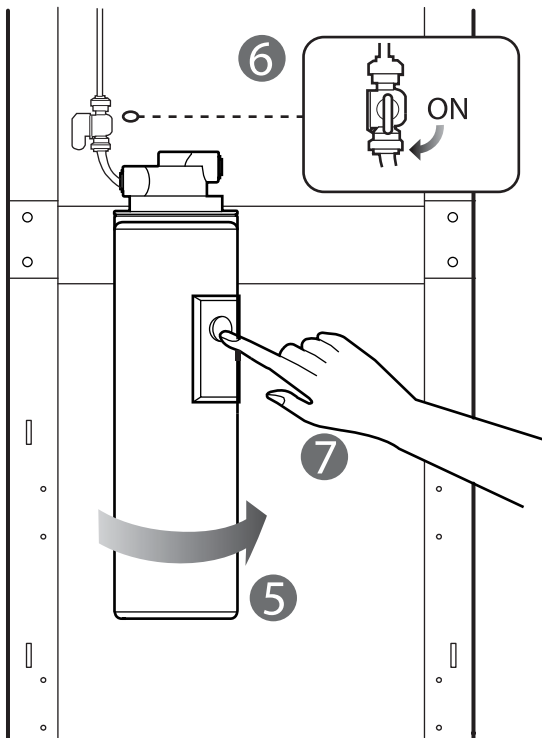
Installation Guide [How to replace new filter]



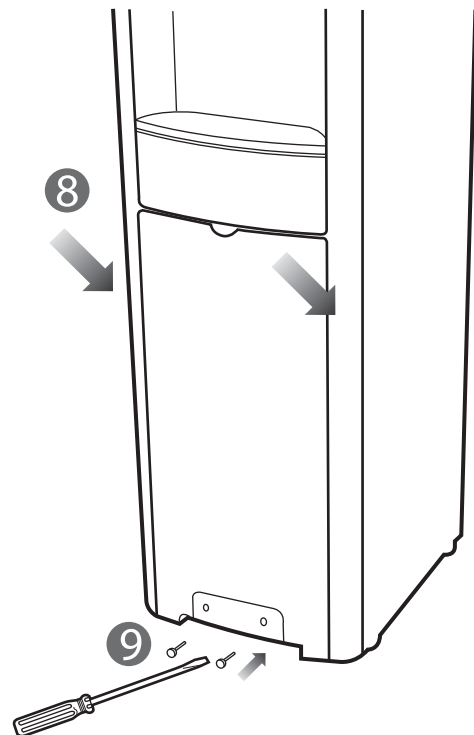
1. Loosen a screw.
2. Push the cabinet down and pull it out.



3. Turn the lever On/Off valve to stop water flow.
4. Twist the filter clockwise and pull downward to remove it.



5. Put the new filter and turn the filter counterclockwise.
6. Re-turn the lever of valve for allowing water to flow.
7. Push the bottom of 11-month-timer.



8. Re-assemble cabinet
9. Screw the cabinet.